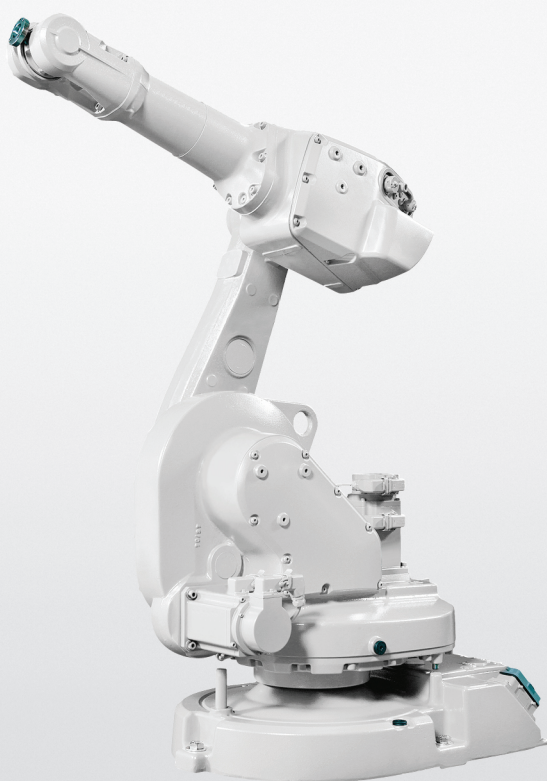

ROBOTICS

Product manual

IRB 1600/1660



Trace back information:
Workspace 22D version a9
Checked in 2022-12-16
Skribenta version 5.5.019

Product manual

IRB 1600 - 5/1.2 type A
IRB 1600 - 5/1.45 type A
IRB 1600 - 6/1.2 type A
IRB 1600 - 6/1.45 type A
IRB 1600 - 7/1.2 type A
IRB 1600 - 7/1.45 type A
IRB 1600 - 8/1.2 type A
IRB 1600 - 8/1.45 type A
IRB 1600 - 10/1.2 type A
IRB 1600 - 10/1.45 type A
IRB 1600ID - 4/1.5
IRB 1600ID - 4/1.5 type A
IRB 1660ID - 6/1.55
IRB 1660ID - 4/1.55

IRC5

Document ID: 3HAC026660-001

Revision: AJ

The information in this manual is subject to change without notice and should not be construed as a commitment by ABB. ABB assumes no responsibility for any errors that may appear in this manual.

Except as may be expressly stated anywhere in this manual, nothing herein shall be construed as any kind of guarantee or warranty by ABB for losses, damage to persons or property, fitness for a specific purpose or the like.

In no event shall ABB be liable for incidental or consequential damages arising from use of this manual and products described herein.

This manual and parts thereof must not be reproduced or copied without ABB's written permission.

Keep for future reference.

Additional copies of this manual may be obtained from ABB.

Original instructions.

© Copyright 2006-2022 ABB. All rights reserved.
Specifications subject to change without notice.

Table of contents

Overview of this manual	9
Product documentation	17
How to read the product manual	19
1 Safety	21
1.1 Safety information	21
1.1.1 Limitation of liability	21
1.1.2 Requirements on personnel	22
1.2 Safety signals and symbols	23
1.2.1 Safety signals in the manual	23
1.2.2 Safety symbols on manipulator labels	25
1.3 Robot stopping functions	31
1.4 Safety during installation and commissioning	32
1.5 Safety during operation	35
1.6 Safety during maintenance and repair	36
1.6.1 Safety during maintenance and repair	36
1.6.2 Emergency release of the robot axes	39
1.6.3 Brake testing	40
1.7 Safety during troubleshooting	41
1.8 Safety during decommissioning	42
2 Installation and commissioning	43
2.1 Introduction to installation and commissioning	43
2.2 Unpacking	44
2.2.1 Pre-installation procedure	44
2.2.2 Working range	49
2.2.3 Risk of tipping/stability	55
2.2.4 The unit is sensitive to ESD	57
2.3 On-site installation	58
2.3.1 Lifting robot with roundslings	58
2.3.2 Lifting and turning a suspended mounted robot	60
2.3.3 Manually releasing the brakes	61
2.3.4 Orienting and securing the robot	63
2.3.5 Setting the system parameters for a suspended or tilted robot	67
2.3.6 Loads fitted to the robot, stopping time and braking distances	73
2.3.7 Fitting equipment on the robot (robot dimensions)	74
2.3.8 Installation of signal lamp for 1600 (option)	88
2.3.9 Installation of signal lamp for 1600ID/1660ID (option)	91
2.3.10 Installation of the wire feeder shelf for 1600ID/1660ID	93
2.4 Restricting the working range	95
2.4.1 Axes with restricted working range	95
2.4.2 Installation of additional mechanical stops on axis 1	96
2.4.3 Installation of additional mechanical stop on axis 2	101
2.4.4 Installation of additional mechanical stops on axis 3	105
2.5 Electrical connections	109
2.5.1 Customer connectors on the robot	109
2.5.2 Robot cabling and connection points	112
2.5.3 Customer connections on the robot	115
2.6 Start of robot in cold environments	118
2.7 Test run after installation, maintenance, or repair	119
3 Maintenance	121
3.1 Introduction	121
3.2 Maintenance schedule and expected component life	122
3.2.1 Specification of maintenance intervals	122
3.2.2 Maintenance schedule	123

Table of contents

3.2.3	Expected component life	124
3.3	Inspection activities	125
3.3.1	Inspection, damper axes 2, 3 and 5	125
3.3.2	Inspecting information labels	128
3.4	Replacement activities	130
3.4.1	Type of lubrication in gearboxes	130
3.4.2	Changing the oil in axes 5 and 6 gearboxes	131
3.4.3	Changing the oil in axis 5-6 gearbox, IRB 1600ID/1660ID	134
3.4.4	Replacing the battery pack	137
3.5	Cleaning activities	142
3.5.1	Cleaning the IRB 1600/1660ID	142
4	Repair	145
4.1	Introduction	145
4.2	General procedures	146
4.2.1	Performing a leak-down test	146
4.2.2	Mounting instructions for bearings	147
4.2.3	Mounting instructions for sealings	149
4.2.4	Cut the paint or surface on the robot before replacing parts	152
4.2.5	The brake release buttons may be jammed after service work	154
4.3	Complete manipulator	155
4.3.1	Replacing the cable harness, IRB 1600	155
4.3.2	Replacing the cable harness, 1600ID/1660ID	165
4.3.3	Replacement of complete arm system	171
4.4	Upper and lower arm	176
4.4.1	Replacing the complete upper arm, IRB 1600	176
4.4.2	Replacing the complete upper arm, IRB 1600ID/1660ID	181
4.4.3	Replacing the complete lower arm	189
4.4.4	Replacing the wrist unit, IRB 1600	194
4.4.5	Replacing the wrist unit, IRB 1600ID	199
4.4.6	Replacing the wrist unit, IRB1660ID	205
4.4.7	Replacing the damper, axis 2	213
4.4.8	Replacing the damper, axis 3	215
4.4.9	Replacing the mechanical stop axis 3, IRB 1600ID/1660ID	217
4.4.10	Replacement of damper, axis 5	219
4.4.11	Remove upper arm AW Gun	221
4.4.12	Measuring the play 1600, axis 5 and axis 6	226
4.4.13	Measuring the play 1600ID/1660ID, axis 5	228
4.4.14	Measuring the play 1600ID/1660ID, axis 6	231
4.5	Frame and base	234
4.5.1	Replacement of base	234
4.5.2	Replacing the serial measurement unit	239
4.5.3	Replacing the push button unit	246
4.6	Motors	252
4.6.1	Replacement of motor, axis 1	252
4.6.2	Replacement of motor, axis 2	257
4.6.3	Replacement of motor, axis 3, IRB 1600	262
4.6.4	Replacement of motor, axis 3, 1600ID/1660ID	267
4.6.5	Replacement of motor, axis 4, IRB 1600	273
4.6.6	Replacement of motor, axis 4, 1600ID/1660ID	278
4.6.7	Replacement of motor and timing belt, axis 5, IRB 1600	282
4.6.8	Replacement of motor, axis 5, IRB 1600ID	287
4.6.9	Replacement of motor, axis 5, IRB 1660ID	295
4.6.10	Replacement of motor and timing belt, axis 6, IRB 1600	305
4.6.11	Replacement of motor, axis 6, IRB 1600ID	309
4.6.12	Replacement of motor, axis 6, IRB 1660ID	313
4.7	Gearboxes	323
4.7.1	Replacement of gearbox, axes 1-2	323
4.7.2	Service work on gearboxes, axes 3, 4, 5 and 6	329

5	Calibration	331
5.1	Introduction to calibration	331
5.1.1	Introduction and calibration terminology	331
5.1.2	Calibration methods	332
5.1.3	When to calibrate	335
5.2	Synchronization marks and axis movement directions	336
5.2.1	Synchronization marks and synchronization position for axes	336
5.2.2	Calibration movement directions for all axes	339
5.3	Updating revolution counters	340
5.3.1	Updating revolution counters on IRC5 robots	340
5.4	Calibrating with Axis Calibration method	344
5.4.1	Description of Axis Calibration	344
5.4.2	Calibration tools for Axis Calibration	347
5.4.3	Installation locations for the calibration tools	349
5.4.4	Axis Calibration - Running the calibration procedure	353
5.4.5	Reference calibration	359
5.5	Calibrating with Calibration Pendulum method	361
5.6	Calibrating with Wrist Optimization method	362
5.7	Verifying the calibration	364
5.8	Checking the synchronization position	365
6	Decommissioning	367
6.1	Introduction to decommissioning	367
6.2	Environmental information	368
6.3	Scrapping of robot	370
7	Robot description	371
7.1	Type A of IRB 1600	371
7.2	Type A of IRB 1600ID	372
7.3	Version A and version B of IRB 1600/1660ID	373
8	Reference information	375
8.1	Introduction	375
8.2	Applicable standards	376
8.3	Unit conversion	378
8.4	Screw joints	379
8.5	Weight specifications	382
8.6	Standard tools	383
8.7	Special tools	384
8.8	Lifting accessories and lifting instructions	386
9	Spare part lists	387
9.1	Spare part lists and illustrations	387
10	Circuit diagram	389
10.1	Circuit diagrams	389
Index		391

This page is intentionally left blank

Overview of this manual

About this manual

This manual contains instructions for:

- mechanical and electrical installation of the robot
- maintenance of the robot
- mechanical and electrical repair of the robot.

Usage

This manual should be used during:

- installation, from lifting the robot to its work site and securing it to the foundation, to making it ready for operation
- maintenance work
- repair work and calibration.

Who should read this manual?

This manual is intended for:

- installation personnel
- maintenance personnel
- repair personnel.

Prerequisites

Maintenance/repair/installation personnel working with an ABB Robot must:

- be trained by ABB and have the required knowledge of mechanical and electrical installation/repair/maintenance work.

Product manual scope

The manual covers covers all variants and designs of the IRB 1600/1660ID. Some variants and designs may have been removed from the business offer and are no longer available for purchase.

Organization of chapters

The manual is organized in the following chapters:

Chapter	Contents
Safety, service	Safety information that must be read through before performing any installation or service work on robot. Contains general safety aspects as well as more specific information on how to avoid personal injuries and damage to the product.
Installation and commissioning	Required information about lifting and installation of the robot.
Maintenance	Step-by-step procedures that describe how to perform maintenance of the robot. Based on a maintenance schedule that may be used to plan periodical maintenance.
Repair	Step-by-step procedures that describe how to perform repair activities of the robot. Based on available spare parts.

Continues on next page

Overview of this manual

Continued

Chapter	Contents
Calibration	Calibration procedures and general information about calibration.
Decommissioning	Environmental information about the robot and its components.
Reference information	Useful information when performing installation, maintenance or repair work. Includes lists of necessary tools, additional documents, safety standards, etc.
Spare parts and exploded views	Complete spare part list and complete list of robot components, shown in exploded views.
Circuit diagram	Reference to the circuit diagram for the robot.

References

Documentation referred to in the manual, is listed in the table below.

Document name	Document ID
<i>Circuit diagram - IRB 1600/1660</i>	3HAC021351-003
<i>Product specification - IRB 1600/1660</i>	Document.ID-1
<i>Product manual, spare parts - IRB 1600/1660</i>	3HAC049104-001
<i>Safety manual for robot - Manipulator and IRC5 or OmniCore controllerⁱ</i>	3HAC031045-001
<i>Product manual - IRC5</i> IRC5 with main computer DSQC 639.	3HAC021313-001
<i>Product manual - IRC5</i> IRC5 with main computer DSQC1000.	3HAC047136-001
<i>Operating manual - IRC5 with FlexPendant</i>	3HAC050941-001
<i>Operating manual - Service Information System</i>	3HAC050944-001
<i>Operating manual - Calibration Pendulum</i>	3HAC16578-1
<i>Application manual - Additional axes and stand alone controller</i>	3HAC051016-001
<i>Application manual - CalibWare Field</i>	3HAC030421-001
<i>Technical reference manual - Lubrication in gearboxes</i>	3HAC042927-001
<i>Technical reference manual - System parameters</i>	3HAC050948-001
Instructions lifting accessory 3HAC024483-001	3HAC028664-002

ⁱ This manual contains all safety instructions from the product manuals for the manipulators and the controllers.

Revisions

Revision	Description
-	First edition. See also Type A of IRB 1600 on page 371 .
A	AW equipped upper arm 1600ID, IRB 1600-6/1.2, IRB 1600-6/1.45, IRB 1600-8/1.2 and IRB 1600-8/1.45 added.
B	<i>Clean Room</i> added. Changes made in: <ul style="list-style-type: none">• <i>Prerequisites</i> in section <i>Overview</i>• <i>Oil change</i> in section <i>Maintenance</i>

Continues on next page

Revision	Description
C	Content updated in section: <ul style="list-style-type: none"> • <i>Making robot ready for operation, Clean Room / Additional installation procedure.</i>
D	Content updated in chapter/section: <ul style="list-style-type: none"> • Maintenance/Cleaning of robot • Maintenance/Maintenance schedule: Interval for replacement of battery pack changed • Section <i>What is an emergency stop?</i> added to chapter Safety.
E	Content updated in chapter/section: <ul style="list-style-type: none"> • Maintenance/Oil in gearboxes: Amount of oil in gearboxes axes 1 and 2.
F	Content updated in sections: <ul style="list-style-type: none"> • New graphics for equipment load areas, see Fitting equipment on the robot (robot dimensions) on page 74. • Instruction moved from chapter <i>Repair</i> to <i>Installation</i>, see Installation of the wire feeder shelf for 1600ID/1660ID on page 93. • Spare part list, updated regarding <i>Foundry Plus Cable guard</i>. • Cleaning the IRB 1600/1660ID on page 142 in chapter Maintenance updated. • Sealing compound updated in Cut the paint or surface on the robot before replacing parts on page 152. • Decommissioning chapter added. Updates in the chapter <i>Safety</i> : <ul style="list-style-type: none"> • Updated safety signal graphics for the levels <i>Danger</i> and <i>Warning</i>, see Safety signals in the manual on page 23. • New safety labels on the manipulators, see Safety symbols on manipulator labels on page 25. • Revised terminology: <i>robot</i> replaced with <i>manipulator</i>.
G	Content updated in sections: <ul style="list-style-type: none"> • Added reference to lifting accessory, see Lifting and turning a suspended mounted robot on page 60.
H	Content updated in sections: <ul style="list-style-type: none"> • Added note about not inserting guide pin too far into the tool flange, section Fitting equipment on the robot (robot dimensions) on page 74. • Updated spare part numbers, in sections: Base, frame, upper arm, upper arm 1600ID and options. • New and updated safety symbols, see Safety symbols on manipulator labels on page 25.

Revision	Description
J	<p>This revision includes the following updates:</p> <ul style="list-style-type: none"> • A new block, about general illustrations, added in section How to read the product manual on page 19. • Resolver connection added, connection for resolver signals axis 7 located on the base see section Customer connectors on the robot on page 109 • Added an illustration that shows the directions of the robot stress forces and changed the value for the force in the Z plane, see Loads on foundation, robot on page 45. • Improvements made in the instruction for replacing the complete ID upper arm, see Replacing the complete upper arm, IRB 1600ID/1660ID on page 181. • Gearboxes and motor pinions from SAMP are added to the spare part lists together with a table that shows compatibility between the motors and gearboxes, see Spare parts -Compatible gearboxes and motors. The spare part numbers are also removed from the Required equipment lists in the repair instructions for motors and gearboxes, and instead replaced with links to the Spare parts chapter. • The option <i>Foundry Plus Cable Guard</i> is removed. • Some general tightening torques have been changed/added, see updated values in Screw joints on page 379. • Corrected value for working range of wall mounted robots, added working range for IRB 1600ID and updated a figure, see Working range on page 49. • Spare part numbers for axis-4, axis-5 and axis-6 motors for IRB 1600ID are corrected. • Added information about batteries.
K	<p>This revision includes the following updates:</p> <ul style="list-style-type: none"> • Added range and capacity to the denomination of IRB 1600ID. • Added information about IRB 1600ID type A, on first inside page and as a new section Type A of IRB 1600ID on page 372. • Spare part numbers for SAMP motors and upper arms are corrected, see Spare parts - Compatible gearboxes and motors. • Added variants IRB 1600 - 10/1.2 and IRB 1600 - 10/1.45 to the manual. • Updated loads on the foundation, see Loads on foundation, robot on page 45. • Corrected the appearance of figures in section Working range on page 49. • Changed maximum tilt from 60° to 55°, see Requirements, foundation on page 46. • All data about type of lubrication in gearboxes is moved from the manual to a separate lubrication manual, see Type and amount of oil in gearboxes on page 130. • Added information about importance to install the robot with correct X direction in the base coordinate system, see Installation of additional mechanical stops on axis 1 on page 96 and Setting the system parameters for a suspended or tilted robot on page 67. • A new SMB unit and battery is introduced, with longer battery lifetime. • Added mounting holes on the lower arm, see Fitting equipment on the robot (robot dimensions) on page 74.

Revision	Description
L	<p>This revision includes the following updates:</p> <ul style="list-style-type: none"> • Spare numbers in general, updated/corrected. • Spare number for Motor axis 3 (Rexnord) changed. • Added information about risks when scrapping a decommissioned robot, see Scrapping of robot on page 370. • Base connections, illustration updated with new views. • Updated tightening torque for the oil plug on axis 5-6 for IRB 1600ID, see Changing the oil in axis 5-6 gearbox, IRB 1600ID/1660ID on page 134. • <i>Spare parts and exploded views</i> are not included in this document but delivered as a separate document. See <i>Product manual, spare parts - IRB 1600/1660</i>. • Note about the placement of connectors in ID-upper arm added in Repair instructions. See Replacement of motor, axis 5, IRB 1600ID on page 287 and Replacing the wrist unit, IRB 1600ID on page 199. • Note about handling the wrist during replacement added. See Replacing the wrist unit, IRB 1600ID on page 199.
M	<p>This revision includes the following updates:</p> <ul style="list-style-type: none"> • Changed article number for signal lamp, see Installation of signal lamp for 1600 (option) on page 88. • Added detailed view of the orientation of axis-5 motor, see Replacement of axis-5 motor. • Minor corrections.
N	<p>This revision includes the following updates:</p> <ul style="list-style-type: none"> • Added instructions for measuring the play in the ID wrist, see Measuring the play 1600ID/1660ID, axis 5 on page 228, and Measuring the play 1600ID/1660ID, axis 6 on page 231. • Minor corrections.
P	<p>This revision includes the following updates:</p> <ul style="list-style-type: none"> • Added a new variant IRB 1600ID - 6/1.55. • Updated the loads on foundation, see Loads on foundation, robot on page 45. • Added maintenance activities for the grease oil in IRB 1600 axes 1 to 4.
Q	<p>This revision includes the following updates:</p> <ul style="list-style-type: none"> • Rename the new variant IRB 1600ID - 6/1.55 to IRB 1660ID - 6/1.55. • Updated figure that shows cable bracket and cable tie of axis-2 motor cable on the frame, see Replacement of motor, axis 2 on page 257.
R	<p>Published in release R16.2. The following updates are done in this revision:</p> <ul style="list-style-type: none"> • Added a new variant IRB 1660ID - 4/1.55. • Wall mounting available to IRB 1660ID - X/1.55.
S	<p>Published in release R17.1. The following updates are made in this revision:</p> <ul style="list-style-type: none"> • Updated the robot weight, see Weight, robot on page 45. • New standard calibration method is introduced (Axis Calibration). See Calibration on page 331. • Information about grounding point is added, see Robot cabling and connection points on page 112.

Continues on next page

Revision	Description
T	<p>Published in release R17.2. The following updates are made in this revision:</p> <ul style="list-style-type: none"> • Information about coupled axes in Updating revolution counters on IRC5 robots on page 340. • Caution about removing metal residues added in sections about SMB boards. • Information added into calibration procedure regarding installation of calibration tool on turning disc, see Overview of the calibration procedure on the FlexPendant on page 353. • Information about minimum resonance frequency added. • Bending radius for static floor cables added. • Updated list of applicable standards. • Article number for the Calibration tool box, Axis Calibration is changed. • Section Start of robot in cold environments on page 118 added. • Updated information regarding replacement of brake release board. • Updated information regarding lifting tool, upper arm, in section Special tools on page 384. • Updated information regarding disconnecting and reconnecting battery cable to serial measurement board.
U	<p>Published in release R18.1. The following updates are made in this revision:</p> <ul style="list-style-type: none"> • Information added about fatigue to Axis Calibration tool, see Calibration tools for Axis Calibration on page 347. • Added sections in General procedures on page 146. • Safety restructured. • Updated spare part number brake release unit (was DSQC574, is DSQC1054) • Tool flange figure is updated. • Note added to calibration chapter to emphasize the requirement of equally dressed robot when using previously created reference calibration values. • Information about myABB Business Portal added. • Added Nickel in environmental information.
V	<p>Published in release R18.2. The following updates are done in this revision:</p> <ul style="list-style-type: none"> • Updated information of holes for mounting of extra equipment for IRB 1600, see Holes for mounting of extra equipment for IRB 1600 on page 79. • Added section for inspection of labels in maintenance chapter. • Updated information regarding o-ring replacement for axis-1 and axis-2 motors.
W	<p>Published in release R18.2. The following updates are done in this revision:</p> <ul style="list-style-type: none"> • Updated reference.
X	<p>Published in release 19B. The following updates are made in this revision:</p> <ul style="list-style-type: none"> • New touch up color Graphite White available. See Cut the paint or surface on the robot before replacing parts on page 152. • New article numbers for manipulator cables in section Robot cabling and connection points on page 112. • Vertical dimensions of IRB 1660ID-X/1.55 added. See Fitting equipment on the robot (robot dimensions) on page 74.

Revision	Description
Y	Published in release 19C. The following updates are made in this revision: <ul style="list-style-type: none"> Note added about the need to calibrate if the robot is other than floor mounted. See When to calibrate on page 335. Figure of grounding point updated.
Z	Published in release 19D. The following updates are made in this revision: <ul style="list-style-type: none"> Updated the tightening torque to secure motor axis 6 with flexible coupling. Removed the spare part position switch, axis 1. Added step of refitting oil plug during replacement of axis-1 and -2 gearboxes.
AA	Published in release 20B. The following updates are made in this revision: <ul style="list-style-type: none"> Clarified and added information in mounting instructions for rotating sealings, see Mounting instructions for sealings on page 149. Clarified text about position of robot and added table with dependencies between axes during Axis Calibration. Updated the parts included in axis-1 and -2 gearbox. Article number of Calibration tool box, Axis Calibration is changed from 3HAC062326-001 to 3HAC074119-001. Replaced article number and name of grease, previously 3HAB3537-1. Added information about Wrist Optimization in calibration chapter.
AB	Published in release 20C. The following updates are made in this revision: <ul style="list-style-type: none"> Updated description about mounting holes of extra equipment for IRB 1600.
AC	Published in release 20D. The following updates are made in this revision: <ul style="list-style-type: none"> Removed information about axis-5 gearbox oil change (IRB 1600/1660ID). Added information about refilling oil in the axis-5 gear after replacing the axis-5 motor (IRB 1600/1660ID). Added tightening torque and inspection step for axis-5 gear oil plug, after refilling oil during axis-5 motor replacement (IRB 1600/1660ID).
AD	Published in release 21A. The following updates are made in this revision: <ul style="list-style-type: none"> Added information about robot versions, A and B, according to which the robot power cable is ordered. See Robot cables on page 112 and Version A and version B of IRB 1600/1660ID on page 373. Added procedures of measuring play of axis 5 and axis 6 for IRB 1600. See Measuring the play 1600, axis 5 and axis 6 on page 226. Note regarding maximum leakage current for attached equipment. See Customer connections on the robot on page 115.
AE	Published in release 21C. The following updates are done in this revision: <ul style="list-style-type: none"> Text regarding fastener quality is updated, see Fastener quality on page 87. Info about option 561-1 included.
AF	Published in release 21D. The following updates are done in this revision: <ul style="list-style-type: none"> Updated description about axis calibration method and how to calibrate suspended and wall-mounted robots. Removed information for option 561-1, as it is not available for IRB 1600/1660ID.

Continues on next page

Overview of this manual

Continued

Revision	Description
AG	Published in release 22A. The following updates are done in this revision: <ul style="list-style-type: none">• Measurement in illustration <i>Dimensions IRB 1660ID-X/1.55</i> is changed.• Updated information about Gleitmo treated screws, see Screw joints on page 379.
AH	Published in release 22B. The following updates are done in this revision: <ul style="list-style-type: none">• Updated protection class for <i>IRB 1660ID-X/1.55</i>.
AJ	Published in release 22D. The following updates are made in this revision: <ul style="list-style-type: none">• Changed the spare part number of <i>V-ring (sealing ring)</i> from 3HAB3732-21 to 3HAB3773-11.

Product documentation

Categories for user documentation from ABB Robotics

The user documentation from ABB Robotics is divided into a number of categories. This listing is based on the type of information in the documents, regardless of whether the products are standard or optional.



Tip

All documents can be found via myABB Business Portal, www.abb.com/myABB.

Product manuals

Manipulators, controllers, DressPack/SpotPack, and most other hardware is delivered with a **Product manual** that generally contains:

- Safety information.
- Installation and commissioning (descriptions of mechanical installation or electrical connections).
- Maintenance (descriptions of all required preventive maintenance procedures including intervals and expected life time of parts).
- Repair (descriptions of all recommended repair procedures including spare parts).
- Calibration.
- Troubleshooting.
- Decommissioning.
- Reference information (safety standards, unit conversions, screw joints, lists of tools).
- Spare parts list with corresponding figures (or references to separate spare parts lists).
- References to circuit diagrams.

Technical reference manuals

The technical reference manuals describe reference information for robotics products, for example lubrication, the RAPID language, and system parameters.

Application manuals

Specific applications (for example software or hardware options) are described in **Application manuals**. An application manual can describe one or several applications.

An application manual generally contains information about:

- The purpose of the application (what it does and when it is useful).
- What is included (for example cables, I/O boards, RAPID instructions, system parameters, software).
- How to install included or required hardware.
- How to use the application.

Continues on next page

- Examples of how to use the application.

Operating manuals

The operating manuals describe hands-on handling of the products. The manuals are aimed at those having first-hand operational contact with the product, that is production cell operators, programmers, and troubleshooters.

How to read the product manual

Reading the procedures

The procedures contain references to figures, tools, material, and so on. The references are read as described below.

References to figures

The procedures often include references to components or attachment points located on the manipulator/controller. The components or attachment points are marked with *italic text* in the procedures and completed with a reference to the figure where the current component or attachment point is shown.

The denomination in the procedure for the component or attachment point corresponds to the denomination in the referenced figure.

The table below shows an example of a reference to a figure from a step in a procedure.

	Action	Note/Illustration
8.	Remove the <i>rear attachment screws, gearbox</i> .	Shown in the figure Location of gearbox on page xx .

References to required equipment

The procedures often include references to equipment (spare parts, tools, etc.) required for the different actions in the procedure. The equipment is marked with *italic text* in the procedures and completed with a reference to the section where the equipment is listed with further information, that is article number and dimensions.

The designation in the procedure for the component or attachment point corresponds to the designation in the referenced list.

The table below shows an example of a reference to a list of required equipment from a step in a procedure.

	Action	Note/Illustration
3.	Fit a new <i>sealing, axis 2</i> to the gearbox.	Art. no. is specified in Required equipment on page xx .

Safety information

The manual includes a separate safety chapter that must be read through before proceeding with any service or installation procedures. All procedures also include specific safety information when dangerous steps are to be performed.

Read more in the chapter [Safety on page 21](#).

Illustrations

The robot is illustrated with general figures that does not take painting or protection type in consideration.

Likewise, certain work methods or general information that is valid for several robot models, can be illustrated with illustrations that show a different robot model than the one that is described in the current manual.

This page is intentionally left blank

1 Safety

1.1 Safety information

1.1.1 Limitation of liability

Limitation of liability

Any information given in this manual regarding safety must not be construed as a warranty by ABB that the industrial robot will not cause injury or damage even if all safety instructions are complied with.

The information does not cover how to design, install and operate a robot system, nor does it cover all peripheral equipment that can influence the safety of the robot system.

In particular, liability cannot be accepted if injury or damage has been caused for any of the following reasons:

- Use of the robot in other ways than intended.
- Incorrect operation or maintenance.
- Operation of the robot when the safety devices are defective, not in their intended location or in any other way not working.
- When instructions for operation and maintenance are not followed.
- Non-authorized design modifications of the robot.
- Repairs on the robot and its spare parts carried out by in-experienced or non-qualified personnel.
- Foreign objects.
- Force majeure.

Spare parts and equipment

ABB supplies original spare parts and equipment which have been tested and approved. The installation and/or use of non-original spare parts and equipment can negatively affect the safety, function, performance, and structural properties of the robot. ABB is not liable for damages caused by the use of non-original spare parts and equipment.

1 Safety

1.1.2 Requirements on personnel

1.1.2 Requirements on personnel

General

Only personnel with appropriate training are allowed to install, maintain, service, repair, and use the robot. This includes electrical, mechanical, hydraulics, pneumatics, and other hazards identified in the risk assessment.

Persons who are under the influence of alcohol, drugs or any other intoxicating substances are not allowed to install, maintain, service, repair, or use the robot.

The plant liable must make sure that the personnel is trained on the robot, and on responding to emergency or abnormal situations.

Personal protective equipment

Use personal protective equipment, as stated in the instructions.

1.2 Safety signals and symbols

1.2.1 Safety signals in the manual







Introduction to safety signals

This section specifies all safety signals used in the user manuals. Each signal consists of:

- A caption specifying the hazard level (DANGER, WARNING, or CAUTION) and the type of hazard.
- Instruction about how to reduce the hazard to an acceptable level.
- A brief description of remaining hazards, if not adequately reduced.

Hazard levels

The table below defines the captions specifying the hazard levels used throughout this manual.


Symbol	Designation	Significance
	DANGER	Signal word used to indicate an imminently hazardous situation which, if not avoided, will result in serious injury.
	WARNING	Signal word used to indicate a potentially hazardous situation which, if not avoided, could result in serious injury.
	ELECTRICAL SHOCK	Signal word used to indicate a potentially hazardous situation related to electrical hazards which, if not avoided, could result in serious injury.
	CAUTION	Signal word used to indicate a potentially hazardous situation which, if not avoided, could result in slight injury.
	ELECTROSTATIC DISCHARGE (ESD)	Signal word used to indicate a potentially hazardous situation which, if not avoided, could result in severe damage to the product.
	NOTE	Signal word used to indicate important facts and conditions.

Continues on next page

1 Safety

1.2.1 Safety signals in the manual

Continued

Symbol	Designation	Significance
	TIP	Signal word used to indicate where to find additional information or how to do an operation in an easier way.

1.2.2 Safety symbols on manipulator labels

Introduction to symbols

This section describes safety symbols used on labels (stickers) on the manipulator. Symbols are used in combinations on the labels, describing each specific warning. The descriptions in this section are generic, the labels can contain additional information such as values.



Note

The symbols on the labels on the product must be observed. Additional symbols added by the integrator must also be observed.




Types of symbols

Both the manipulator and the controller are marked with symbols, containing important information about the product. This is important for all personnel handling the robot, for example during installation, service, or operation.

The safety labels are language independent, they only use graphics. See [Symbols on safety labels on page 25](#).

The information labels can contain information in text.

Symbols on safety labels

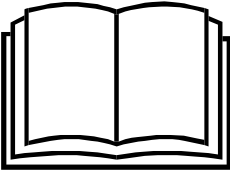
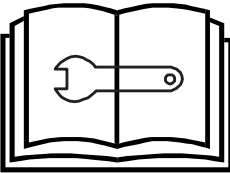
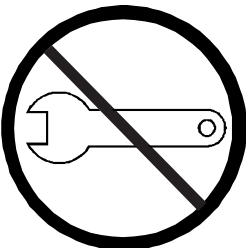
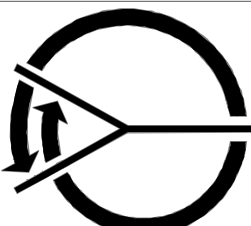

Symbol	Description
 xx0900000812	Warning! Warns that an accident <i>may</i> occur if the instructions are not followed that can lead to serious injury, possibly fatal, and/or great damage to the product. It applies to warnings that apply to danger with, for example, contact with high voltage electrical units, explosion or fire risk, risk of poisonous gases, risk of crushing, impact, fall from height, etc.
 xx0900000811	Caution! Warns that an accident may occur if the instructions are not followed that can result in injury and/or damage to the product. It also applies to warnings of risks that include burns, eye injury, skin injury, hearing damage, crushing or slipping, tripping, impact, fall from height, etc. Furthermore, it applies to warnings that include function requirements when fitting and removing equipment where there is a risk of damaging the product or causing a breakdown.
 xx0900000839	Prohibition Used in combinations with other symbols.

Continues on next page

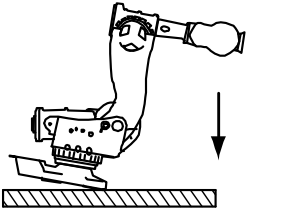

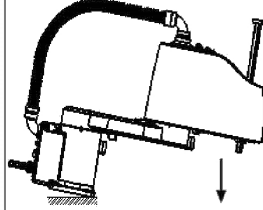


1 Safety

1.2.2 Safety symbols on manipulator labels

Continued

Symbol	Description
 xx0900000813	See user documentation Read user documentation for details. Which manual to read is defined by the symbol: <ul style="list-style-type: none">• No text: <i>Product manual</i>.• EPS: <i>Application manual - Electronic Position Switches</i>.
 xx0900000816	Before disassembly, see product manual
 xx0900000815	Do not disassemble Disassembling this part can cause injury.
 xx0900000814	Extended rotation This axis has extended rotation (working area) compared to standard.
 xx0900000808	Brake release Pressing this button will release the brakes. This means that the robot arm can fall down.

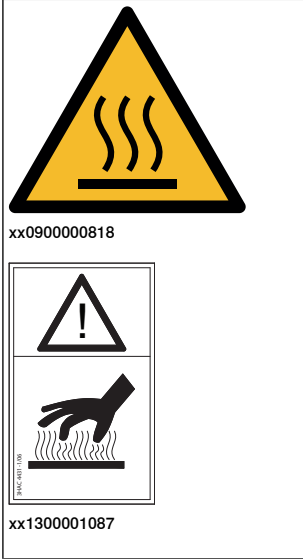
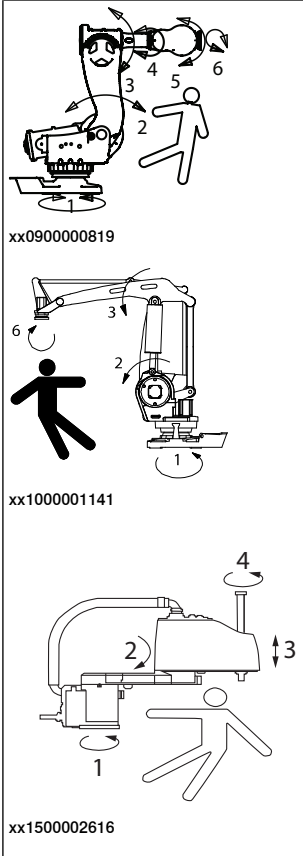
Continues on next page

Symbol	Description
 <p>xx0900000810</p>   <p>3HAC 057068-001</p> <p>xx1500002402</p>	<p>Tip risk when loosening bolts The robot can tip over if the bolts are not securely fastened.</p>
  <p>xx0900000817</p>	<p>Crush Risk of crush injuries.</p>

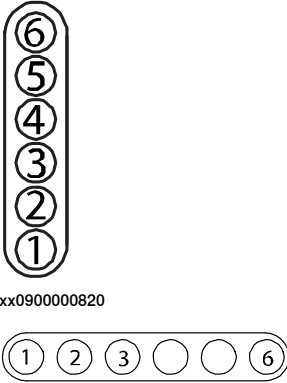

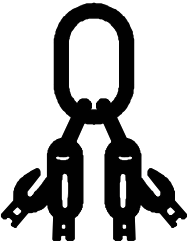



1 Safety

1.2.2 Safety symbols on manipulator labels

Continued

Symbol	Description
 <p>xx0900000818</p> <p>xx1300001087</p>	<p>Heat Risk of heat that can cause burns. (Both signs are used)</p>
 <p>xx0900000819</p> <p>xx1000001141</p> <p>xx1500002616</p>	<p>Moving robot The robot can move unexpectedly.</p>

Continues on next page



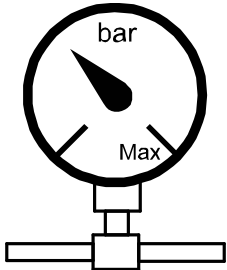
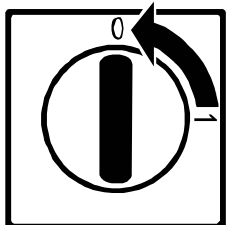

Symbol	Description
 <p>xx0900000820</p> <p>xx1000001140</p>	<p>Brake release buttons</p>
 <p>xx0900000821</p>	<p>Lifting bolt</p>
 <p>xx1000001242</p>	<p>Chain sling with shortener</p>
 <p>xx0900000822</p>	<p>Lifting of robot</p>
 <p>xx0900000823</p>	<p>Oil Can be used in combination with prohibition if oil is not allowed.</p>
 <p>xx0900000824</p>	<p>Mechanical stop</p>

Continues on next page

1 Safety

1.2.2 Safety symbols on manipulator labels

Continued

Symbol	Description
 xx1000001144	No mechanical stop
 xx0900000825	Stored energy Warns that this part contains stored energy. Used in combination with <i>Do not disassemble</i> symbol.
 xx0900000826	Pressure Warns that this part is pressurized. Usually contains additional text with the pressure level.
 xx0900000827	Shut off with handle Use the power switch on the controller.
 xx1400002648	Do not step Warns that stepping on these parts can cause damage to the parts.

1.3 Robot stopping functions

Protective stop and emergency stop

The protective stops and emergency stops are described in the product manual for the controller.

For more information see:

- *Product manual - IRC5*
- *Product manual - IRC5 Compact*
- *Product manual - IRC5 Panel Mounted Controller*

1 Safety

1.4 Safety during installation and commissioning

1.4 Safety during installation and commissioning

National or regional regulations

The integrator of the robot system is responsible for the safety of the robot system.

The integrator is responsible that the robot system is designed and installed in accordance with the safety requirements set forth in the applicable national and regional standards and regulations.

The integrator of the robot system is required to perform a risk assessment.

Layout

The robot integrated to a robot system shall be designed to allow safe access to all spaces during installation, operation, maintenance, and repair.

If robot movement can be initiated from an external control panel then an emergency stop must also be available.

If the manipulator is delivered with mechanical stops, these can be used for reducing the working space.

A perimeter safeguarding, for example a fence, shall be dimensioned to withstand the following:

- The force of the manipulator.
- The force of the load handled by the robot if dropped or released at maximum speed.
- The maximum possible impact caused by a breaking or malfunctioning rotating tool or other device fitted to the robot.

The maximum TCP speed and the maximum velocity of the robot axes are detailed in the section *Robot motion* in the product specification for the respective manipulator.

Consider exposure to hazards, such as slipping, tripping, and falling.

Hazards due to the working position and posture for a person working with or near the robot shall be considered.

Hazards due to noise emission from the robot needs to be considered.

Consider hazards from other equipment in the robot system, for example, that guards remain active until identified hazards are reduced to an acceptable level.

Allergenic material

See [Environmental information on page 368](#) for specification of allergenic materials in the product, if any.

Securing the robot to the foundation

The robot must be properly fixed to its foundation/support, as described in the respective product manual.

When the robot is installed at a height, hanging, or other than mounted directly on the floor, there will be additional hazards.

Continues on next page

Electrical safety

Incoming mains must be installed to fulfill national regulations.

The power supply wiring to the robot must be sufficiently fused and if necessary, it must be possible to disconnect it manually from the mains power.

The power to the robot must be turned off with the main switch and the mains power disconnected when performing work inside the controller cabinet. Lock and tag shall be considered.

Harnesses between controller and manipulator shall be fixed and protected to avoid tripping and wear.

Wherever possible, power on/off or rebooting the robot controller shall be performed with all persons outside the safeguarded space.



Note

Use a CARBON DIOXIDE (CO₂) extinguisher in the event of a fire in the robot.

Safety devices

The integrator is responsible for that the safety devices necessary to protect people working with the robot system are designed and installed correctly.

When integrating the robot with external devices to a robot system:

- The integrator of the robot system must ensure that emergency stop functions are interlocked in accordance with applicable standards.
- The integrator of the robot system must ensure that safety functions are interlocked in accordance with applicable standards.

Other hazards

A robot may perform unexpected limited movement.



WARNING

Manipulator movements can cause serious injuries on users and may damage equipment.

The risk assessment should also consider other hazards arising from the application, such as, but not limited to:

- Water
- Compressed air
- Hydraulics

End-effector hazards require particular attention for applications which involve close human collaboration with the robot.

Continues on next page

1 Safety

1.4 Safety during installation and commissioning

Continued

Pneumatic or hydraulic related hazards



Note

The pressure in the complete pneumatic or hydraulic systems must be released before service and maintenance.

All components in the robot system that remain pressurized after switching off the power to the robot must be marked with clearly visible drain facilities and a warning sign that indicates the hazard of stored energy.

Loss of pressure in the robot system may cause parts or objects to drop.

Dump valves should be used in case of emergency.

Shot bolts should be used to prevent tools, etc., from falling due to gravity.

All pipes, hoses, and connections have to be inspected regularly for leaks and damage. Damage must be repaired immediately.

Verify the safety functions

Before the robot system is put into operation, verify that the safety functions are working as intended and that any remaining hazards identified in the risk assessment are mitigated to an acceptable level.

1.5 Safety during operation

Automatic operation

Verify the application in the operating mode manual reduced speed, before changing mode to automatic and initiating automatic operation.

Unexpected movement of robot arm



WARNING

Hazards due to the use of brake release devices and/or gravity beneath the manipulator shall be considered.

A robot may perform unexpected limited movement.



WARNING

Manipulator movements can cause serious injuries on users and may damage equipment.

1 Safety

1.6.1 Safety during maintenance and repair

1.6 Safety during maintenance and repair

1.6.1 Safety during maintenance and repair

General

Corrective maintenance must only be carried out by personnel trained on the robot. Maintenance or repair must be done with all electrical, pneumatic, and hydraulic power switched off, that is, no remaining hazards.

Hazards due to stored mechanical energy in the manipulator for the purpose of counterbalancing axes must be considered before maintenance or repair.

Never use the robot as a ladder, which means, do not climb on the controller, manipulator, including motors, or other parts. There are hazards of slipping and falling. The robot might be damaged.


Make sure that there are no loose screws, turnings, or other unexpected parts remaining after work on the robot has been performed.

When the work is completed, verify that the safety functions are working as intended.

Hot surfaces

Surfaces can be hot after running the robot, and touching these may result in burns. Allow the surfaces to cool down before maintenance or repair.

Allergic reaction

Warning	Description	Elimination/Action
 Allergic reaction	When working with lubricants there is a risk of an allergic reaction.	Make sure that protective gear like goggles and gloves are always worn.


Gearbox lubricants (oil or grease)

When handling oil, grease, or other chemical substances the safety information of the respective manufacturer must be observed.










Note

Take special care when handling hot lubricants.

Warning	Description	Elimination/Action
 Hot oil or grease	Changing and draining gearbox oil or grease may require handling hot lubricant heated up to 90 °C.	Make sure that protective gear like goggles and gloves are always worn during this activity.

Continues on next page


Warning	Description	Elimination/Action
 Allergic reaction	When working with lubricants there is a risk of an allergic reaction.	Make sure that protective gear like goggles and gloves are always worn.
 Possible pressure build-up in gearbox	When opening the oil or grease plug, there may be pressure present in the gearbox, causing lubricant to spray from the opening.	Open the plug carefully and keep away from the opening. Do not overfill the gearbox when filling.
 Do not overfill	Overfilling of gearbox lubricant can lead to internal over-pressure inside the gearbox which in turn may: <ul style="list-style-type: none"> • damage seals and gaskets • completely press out seals and gaskets • prevent the robot from moving freely. 	Make sure not to overfill the gearbox when filling it with oil or grease. After filling, verify that the level is correct.
 Do not mix types of oil	Mixing types of oil may cause severe damage to the gearbox.	When filling gearbox oil, do not mix different types of oil unless specified in the instructions. Always use the type of oil specified for the product.
 Oil residues	Oil residues might be present in a drained gearbox and spilled when separating a motor and gearbox during repair.	Make sure that protective gear like goggles/protective visor, gloves and arm protection are always worn during this activity. Put oil absorbent cloth or paper at appropriate locations to catch any oil residues.
 Heat up the oil	Warm oil drains quicker than cold oil.	Run the robot before changing the gearbox oil, if possible.
 Specified amount depends on drained volume	The specified amount of oil or grease is based on the total volume of the gearbox. When changing the lubricant, the amount refilled may differ from the specified amount, depending on how much has previously been drained from the gearbox.	After filling, verify that the level is correct.

Continues on next page

1 Safety

1.6.1 Safety during maintenance and repair

Continued

Warning	Description	Elimination/Action
 Contaminated oil in gearboxes	For lifetime reasons always drain as much oil as possible from the gearbox. The magnetic oil plugs will gather residual metal chips.	

Hazards related to batteries

Under rated conditions, the electrode materials and liquid electrolyte in the batteries are sealed and not exposed to the outside.

There is a hazard in case of abuse (mechanical, thermal, electrical) which leads to the activation of safety valves and/or the rupture of the battery container. As a result under certain circumstances, electrolyte leakage, electrode materials reaction with moisture/water or battery vent/explosion/fire may follow.

Do not short circuit, recharge, puncture, incinerate, crush, immerse, force discharge or expose to temperatures above the declared operating temperature range of the product. Risk of fire or explosion.

Operating temperatures are listed in [Operating conditions, robot on page 47](#).

See safety instructions for the batteries in *Material/product safety data sheet - Battery pack (3HAC043118-001)*.

Unexpected movement of robot arm



WARNING

Hazards due to the use of brake release devices and/or gravity beneath the manipulator shall be considered.

A robot may perform unexpected limited movement.



WARNING

Manipulator movements can cause serious injuries on users and may damage equipment.

Related information

See also the safety information related to installation and operation.

1.6.2 Emergency release of the robot axes

Description

In an emergency situation, the brakes on a robot axis can be released manually by pushing a brake release button.

How to release the brakes is described in the section:

- [Manually releasing the brakes on page 61](#).

The robot may be moved manually on smaller robot models, but larger models may require using an overhead crane or similar equipment.

Increased injury

Before releasing the brakes, make sure that the weight of the manipulator does not result in additional hazards, for example, even more severe injuries on a trapped person.



DANGER

When releasing the holding brakes, the robot axes may move very quickly and sometimes in unexpected ways.

Make sure no personnel is near or beneath the robot.

1 Safety

1.6.3 Brake testing

1.6.3 Brake testing

When to test

During operation, the holding brake of each axis normally wears down. A test can be performed to determine whether the brake can still perform its function.

How to test

The function of the holding brake of each axis motor may be verified as described below:

- 1 Run each axis to a position where the combined weight of the manipulator and any load is maximized (maximum static load).
- 2 Switch the motor to the MOTORS OFF.
- 3 Inspect and verify that the axis maintains its position.

If the manipulator does not change position as the motors are switched off, then the brake function is adequate.



Note

It is recommended to run the service routine *BrakeCheck* as part of the regular maintenance, see the operating manual for the robot controller.

For robots with the option SafeMove, the *Cyclic Brake Check* routine is recommended. See the manual for SafeMove in [References on page 10](#).

1.7 Safety during troubleshooting

General

When troubleshooting requires work with power switched on, special considerations must be taken:

- Safety circuits might be muted or disconnected.
- Electrical parts must be considered as *live*.
- The manipulator can move unexpectedly at any time.



DANGER

Troubleshooting on the controller while powered on must be performed by personnel trained by ABB or by ABB field engineers.

A risk assessment must be done to address both robot and robot system specific hazards.



WARNING

Hazards due to the use of brake release devices and/or gravity beneath the manipulator shall be considered.

A robot may perform unexpected limited movement.



WARNING

Manipulator movements can cause serious injuries on users and may damage equipment.

Related information

See also the safety information related to installation, operation, maintenance, and repair.

1 Safety

1.8 Safety during decommissioning

1.8 Safety during decommissioning

General

See section [Decommissioning on page 367](#).

If the robot is decommissioned for storage, take extra precaution to reset safety devices to delivery status.

Unexpected movement of robot arm



WARNING

Hazards due to the use of brake release devices and/or gravity beneath the manipulator shall be considered.

A robot may perform unexpected limited movement.



WARNING

Manipulator movements can cause serious injuries on users and may damage equipment.

2 Installation and commissioning

2.1 Introduction to installation and commissioning

General

This chapter contains assembly instructions and information for installing the IRB 1600/1660ID at the working site.

See also the product manual for the robot controller.

The installation must be done by qualified installation personnel in accordance with the safety requirements set forth in the applicable national and regional standards and regulations.

Safety information

Before any installation work is commenced, all safety information must be observed. There are general safety aspects that must be read through, as well as more specific safety information that describes the danger and safety risks when performing the procedures. Read the chapter [Safety on page 21](#) before performing any installation work.



Note

Always connect the IRB 1600/1660ID and the robot to protective earth and residual current device (RCD) before connecting to power and starting any installation work.

For more information see:

- *Product manual - IRC5*
- *Product manual - IRC5 Compact*
- *Product manual - IRC5 Panel Mounted Controller*

2 Installation and commissioning

2.2.1 Pre-installation procedure

2.2 Unpacking

2.2.1 Pre-installation procedure

Introduction


This section is intended for use when unpacking and installing the robot for the first time. It also contains information useful during later re-installation of the robot.

Prerequisites for installation personnel

Installation personnel working with an ABB product must:

- be trained by ABB and have the required knowledge of mechanical and electrical installation/maintenance/repair work
- conform to all national and local codes.

Checking the pre-requisites for installation

	Action
1	Make a visual inspection of the packaging and make sure that nothing is damaged.
2	Remove the packaging.
3	Check for any visible transport damage.  Note Stop unpacking and contact ABB if transport damages are found.
4	Clean the unit with a lint-free cloth, if necessary.
5	Make sure that the lifting accessory used (if required) is suitable to handle the weight of the robot as specified in: Weight, robot on page 45
6	If the robot is not installed directly, it must be stored as described in: Storage conditions, robot on page 47
7	Make sure that the expected operating environment of the robot conforms to the specifications as described in: Operating conditions, robot on page 47
8	Before taking the robot to its installation site, make sure that the site conforms to: <ul style="list-style-type: none">• Loads on foundation, robot on page 45• Protection classes, robot on page 48• Requirements, foundation on page 46
9	Before moving the robot, please observe the stability of the robot: Risk of tipping/stability on page 55
10	When these prerequisites are met, the robot can be taken to its installation site as described in section: On-site installation on page 58
11	Install required equipment, if any. <ul style="list-style-type: none">• Installation of signal lamp for 1600 (option) on page 88

Continues on next page

Weight, robot

The table shows the weight of the robot.

Robot model	Weight
IRB 1600/1660ID	IRB 1600/IRB 1600ID: 250 kg IRB 1660ID: 260 kg



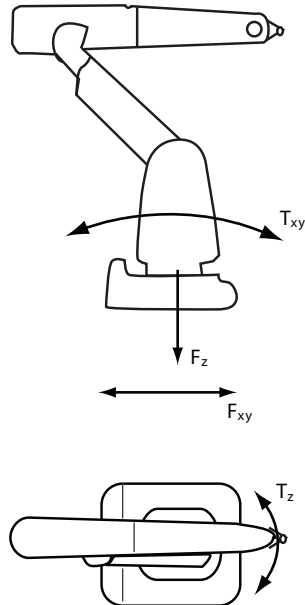
Note

The weight does not include tools and other equipment fitted on the robot.

Loads on foundation, robot

The illustration shows the directions of the robots stress forces.

The directions are valid for all floor mounted, suspended and inverted robots.



xx110000521

F_{xy}	Force in any direction in the XY plane
F_z	Force in the Z plane
T_{xy}	Bending torque in any direction in the XY plane
T_z	Bending torque in the Z plane

The table shows the various forces and torques working on the robot during different kinds of operation.



Note

These forces and torques are extreme values that are rarely encountered during operation. The values also never reach their maximum at the same time!

Continues on next page

2 Installation and commissioning

2.2.1 Pre-installation procedure

Continued



WARNING

The robot installation is restricted to the mounting options given in following load table(s).

Floor mounted

Force	Endurance load (in operation)	Max. load (emergency stop)
Force xy	± 1850 N	± 3900 N
Force z	2700 ± 1150 N	2700 ± 2200 N
Torque xy	± 1750 Nm	± 4000 Nm
Torque z	± 855 Nm	± 1500 Nm

Wall mounted

Force	Endurance load (in operation)	Max. load (emergency stop)
Force xy	± 3900 N	± 5300 N
Force z	± 1400 N	± 2800 N
Torque xy	± 2310 Nm	± 3850 Nm
Torque z	± 855 Nm	± 1550 Nm

Suspended


Force	Endurance load (in operation)	Max. load (emergency stop)
Force xy	± 1850 N	± 3900 N
Force z	- 2700 ± 1150 N	- 2700 ± 2200 N
Torque xy	± 1750 Nm	± 4000 Nm
Torque z	± 855 Nm	± 1500 Nm

Requirements, foundation

The table shows the requirements for the foundation where the weight of the installed robot is included:

Requirement	Value	Note
Flatness of foundation surface	0.5 mm	Flat foundations give better repeatability of the resolver calibration compared to original settings on delivery from ABB. The value for levelness aims at the circumstance of the anchoring points in the robot base. In order to compensate for an uneven surface, the robot can be recalibrated during installation. If resolver/encoder calibration is changed this will influence the absolute accuracy.
Maximum tilt	55°	The limit for the maximum payload on the robot is reduced if the robot is tilted from 0°. Contact ABB for further information about acceptable loads.

Continues on next page

Requirement	Value	Note
Minimum resonance frequency	25 Hz  Note It may affect the manipulator life-time to have a lower resonance frequency than recommended.	The value is recommended for optimal performance. Due to foundation stiffness, consider robot mass including equipment. ⁱ For information about compensating for foundation flexibility, see the application manual of the controller software, section <i>Motion Process Mode</i> .

ⁱ The minimum resonance frequency given should be interpreted as the frequency of the robot mass/inertia, robot assumed stiff, when a foundation translational/torsional elasticity is added, i.e., the stiffness of the pedestal where the robot is mounted. The minimum resonance frequency should not be interpreted as the resonance frequency of the building, floor etc. For example, if the equivalent mass of the floor is very high, it will not affect robot movement, even if the frequency is well below the stated frequency. The robot should be mounted as rigid as possible to the floor.

Disturbances from other machinery will affect the robot and the tool accuracy. The robot has resonance frequencies in the region 10 – 20 Hz and disturbances in this region will be amplified, although somewhat damped by the servo control. This might be a problem, depending on the requirements from the applications. If this is a problem, the robot needs to be isolated from the environment.

Storage conditions, robot

The table shows the allowed storage conditions for the robot:

Parameter	Value
Minimum ambient temperature	-25° C
Maximum ambient temperature	+55° C
Maximum ambient temperature (less than 24 hrs)	+70° C
Maximum ambient humidity	95% at constant temperature (gaseous only)



Note

If the manipulator should not be used immediately, all unpainted/unprotected surfaces must be treated with a rust inhibitor, type Vaseline or similar.

Operating conditions, robot

The table shows the allowed operating conditions for the robot:

Parameter	Value
Minimum ambient temperature	+5° C
Maximum ambient temperature	+45° C
Maximum ambient humidity	Max. 95% at constant temperature

Continues on next page

2 Installation and commissioning

2.2.1 Pre-installation procedure

Continued

Protection classes, robot

The table shows the available protection types of the robot, with the corresponding protection class.

Protection type	Protection class ¹
Manipulator, protection type Standard	IRB 1600: IP54 IRB 1600ID: IP40 IRB 1660ID: IP67 (Axis 4: IP40)
Manipulator, protection type Foundry Plus	IP 67
Manipulator, protection type Clean Room	IP 54
Manipulator, protection type Wash	IP 67

2.2.2 Working range

Range of movement - IRB 1600

Axis	Type of motion	Range of movement 1.2 m reach	Range of movement 1.45 m reach
1	Rotation motion	+180° to -180° ⁱ	+180° to -180° ⁱ
2	Arm motion	+110° to -63° +136° to -63° (with axis 1 limited to ±100°)	+120° to -90° +150° to -90° (with axis 1 limited to ±95°)
3	Arm motion	+55° to -235°	+65° to -245°
4	Rotation motion	+200° to -200° default +190 rev. ⁱⁱ to -190 rev. maximum ⁱⁱⁱ	+200° to -200° default +190 rev. ⁱⁱ to -190 rev. maximum ⁱⁱⁱ
5	Bend motion	+115° to -115°	+115° to -115°
6	Turn motion	+400° to -400° default +288 rev. ⁱⁱ to -288 rev. maximum ⁱⁱⁱ	+400° to -400° default +288 rev. ⁱⁱ to -288 rev. maximum ⁱⁱⁱ

ⁱ The working range of axis 1 has the following limitations for wall mounted robots:

- IRB 1600-6/x: ± 20°
- IRB 1600-10/x: ± 60°

If the robot is tilted, the following combinations of tilt angles and axis 1 working ranges are allowed:

- IRB 1600-6/x: axis 1 ± 45° with tilt angles up to 30°
- IRB 1600-10/x: axis 1 ± 180° with tilt angles up to 55°

ⁱⁱ rev. = Revolutions

ⁱⁱⁱ The default working range for axis 4 and axis 6 can be extended by changing parameter values in the software.

Option 610-1 "Independent axis" can be used for resetting the revolution counter after the axis has been rotated (no need for "rewinding" the axis).

Range of movement - IRB 1600ID

Axis	Type of motion	Range of movement 1.5 m reach
1	Rotation motion	+180° to -180° ⁱ
2	Arm motion	+150° to -90°
3	Arm motion	+79° to -238°
4	Rotation motion	+155° to -155°
5	Bend motion	+135° to -90°
6	Turn motion	+200° to -200° +288 rev. ⁱⁱ to -288 rev. maximum ⁱⁱⁱ

ⁱ If the robot is tilted, the working range with tilt angles is:

- ± 40° with tilt angles up to 30°

ⁱⁱ rev. = Revolutions

ⁱⁱⁱ The default working range for axis 6 can be extended by changing parameter values in the software. Option 610-1 "Independent axis" can be used for resetting the revolution counter after the axis has been rotated (no need for "rewinding" the axis).

Range of movement - IRB 1660ID

Axis	Type of motion	Range of movement 1.55 m reach
1	Rotation motion	+180° to -180° ⁱ

Continues on next page

2 Installation and commissioning

2.2.2 Working range

Continued

Axis	Type of motion	Range of movement 1.55 m reach
2	Arm motion	+150° to -90°
3	Arm motion	+79° to -238°
4	Rotation motion	+175° to -175°
5	Bend motion	+120° to -120°
6	Turn motion	+400° to -400° +191 rev. ⁱⁱ to -191 rev. maximum ⁱⁱⁱ

i The working range of axis 1 has the following limitations for wall mounted robots:

- IRB 1660ID-X/1.55: $\pm 45^\circ$

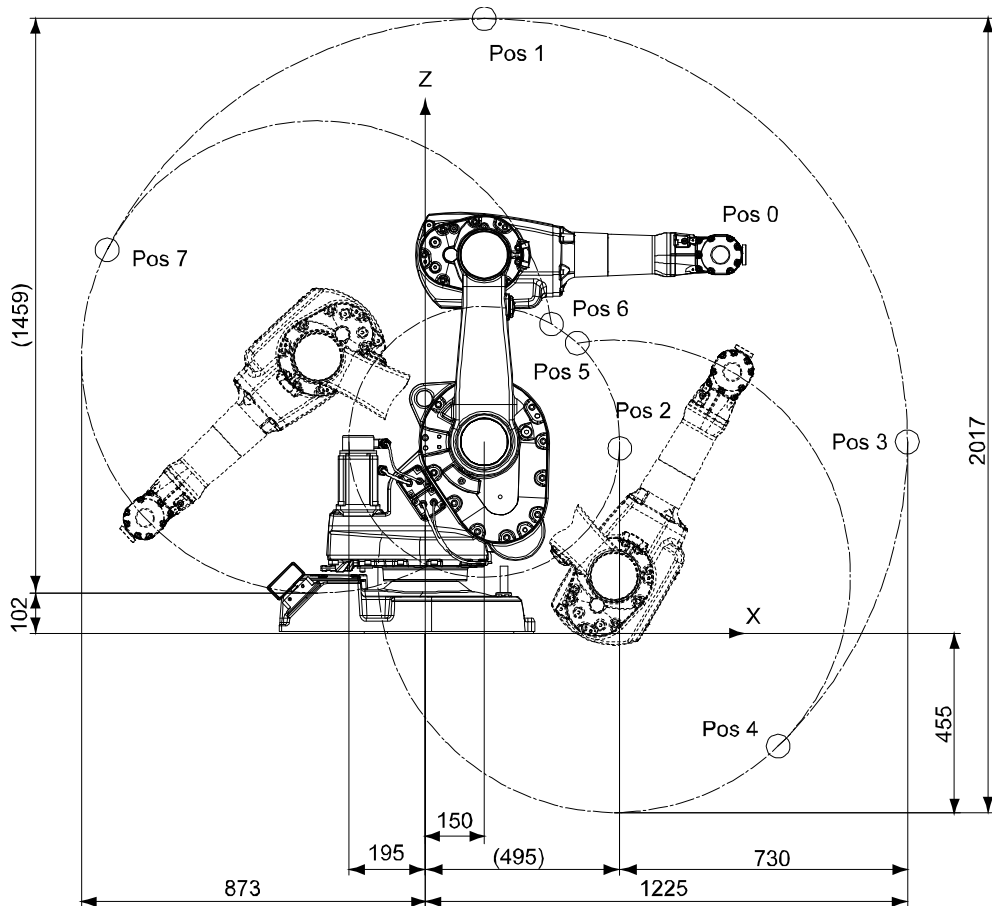
If the robot is tilted, the working range with tilt angles is:

- $\pm 180^\circ$ with tilt angles up to 45°

ii rev. = Revolutions

iii The default working range for axis 6 can be extended by changing parameter values in the software. Option 610-1 "Independent axis" can be used for resetting the revolution counter after the axis has been rotated (no need for "rewinding" the axis).

Positions at wrist center 1.2 m reach



xx100000914

Position	X (mm)	Z (mm)	Axis 2 angle (degrees)	Axis 3 angle (degrees)
0	750	962	0	0
1	150	1562	0	-90

Continues on next page

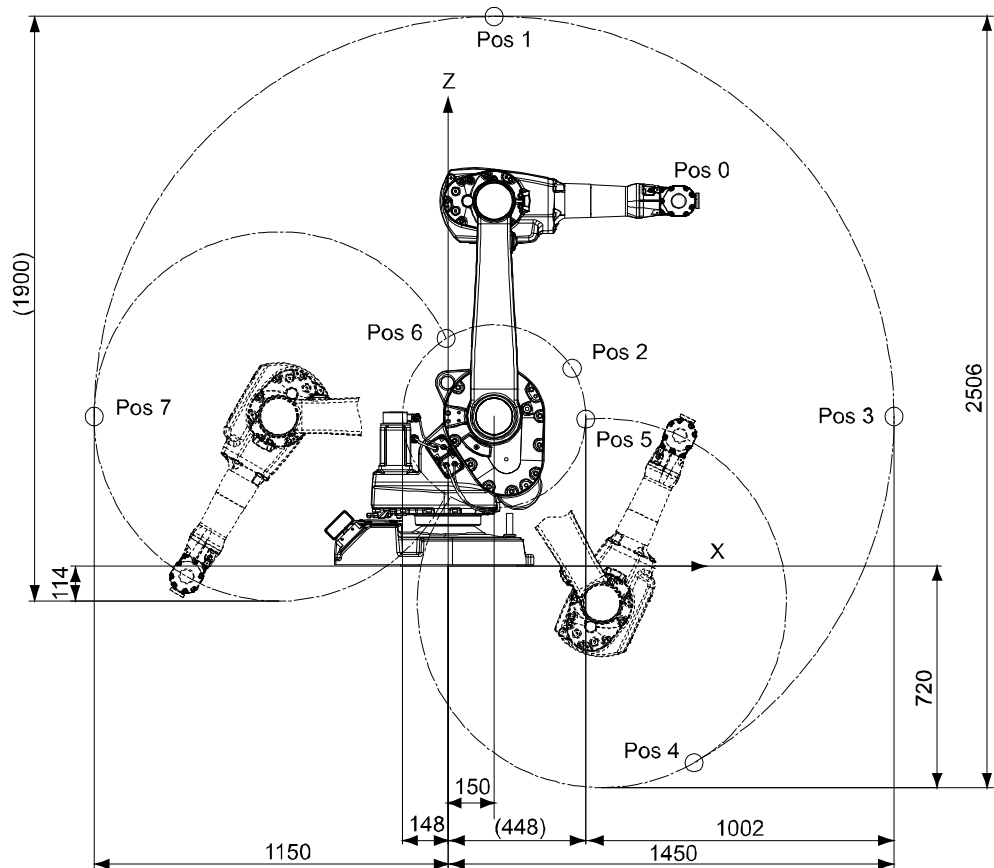
2 Installation and commissioning

2.2.2 Working range

Continued

Position	X (mm)	Z (mm)	Axis 2 angle (degrees)	Axis 3 angle (degrees)
2	494	470	0	+55
3	1225	487	+90	-90
4	897	-287	+136	-90
5	386	737	+136	-235
6	321	786	-63	+55
7	-808	975	-63	-90

Positions at wrist center 1.45 m reach



xx1000000915

Position	X (mm)	Z (mm)	Axis 2 angle (degrees)	Axis 3 angle (degrees)
0	750	1187	0	0
1	150	1787	0	-90
2	404	643	0	+65
3	1450	487	+90	-90
4	800	-639	+150	-90
5	448	478	+150	-245
6	-6	740	-90	+65

Continues on next page

2 Installation and commissioning

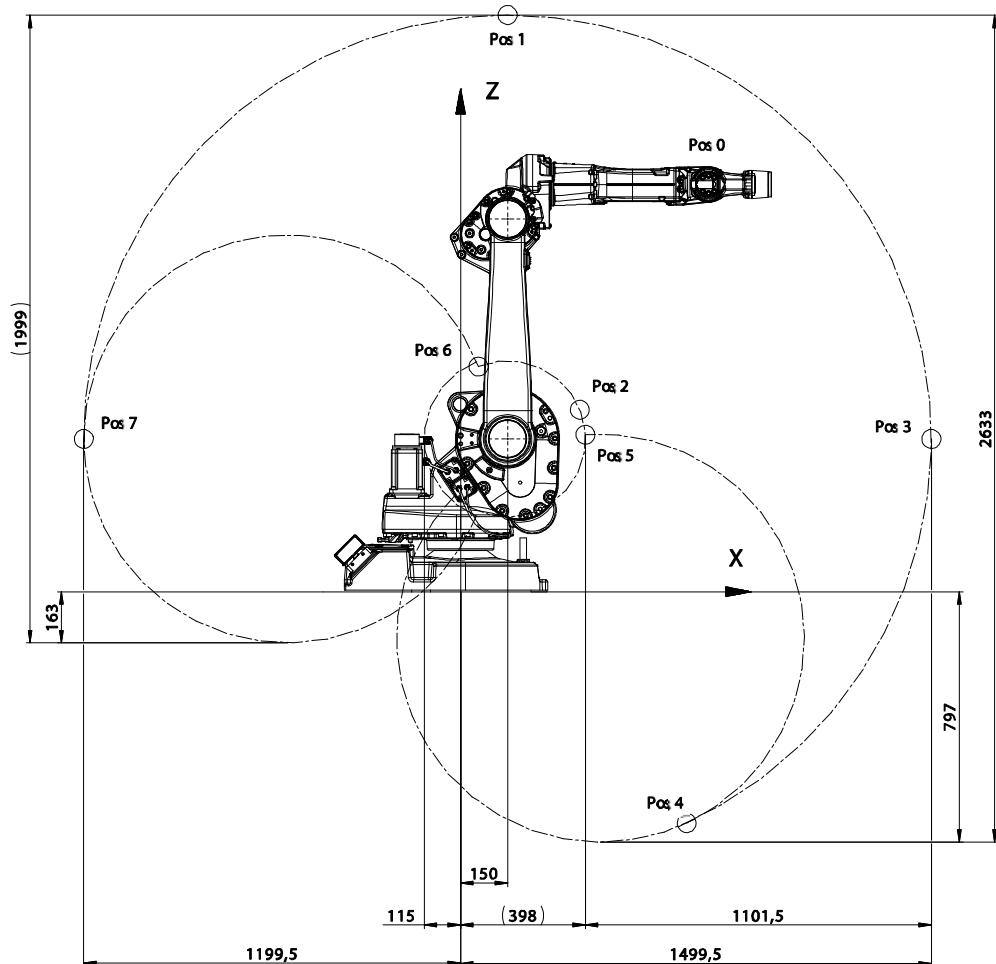
2.2.2 Working range

Continued

Position	X (mm)	Z (mm)	Axis 2 angle (degrees)	Axis 3 angle (degrees)
7	-1150	487	-90	-90

Positions at wrist center IRB 1600ID

IRB 1600ID-4/1.5



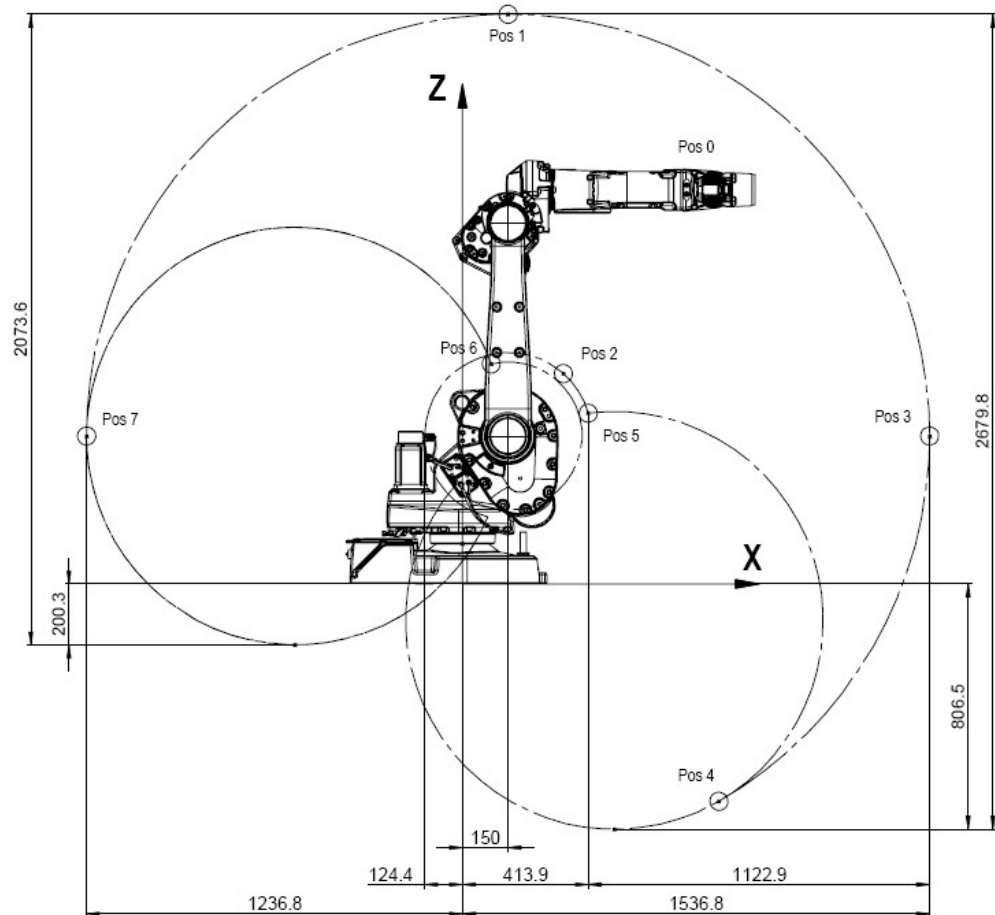
xx0700000136

Position	X (mm)	Z (mm)	Axis 2 angle (degrees)	Axis 3 angle (degrees)
0	790	1297	0	0
1	150	1836	0	-80
2	380	579	0	+79
3	1500	487	+90	-80
4	721	-737	+150	-80
5	398	500	+150	-238
6	58	717	-90	+79
7	-1200	487	-90	-80

Continues on next page

Positions at wrist center IRB 1660ID

IRB 1660ID-X/1.55



xx1500001246

Position	X (mm)	Z (mm)	Axis 2 angle (degrees)	Axis 3 angle (degrees)
0	828	1,296.5	0	0
1	150	1,873.3	0	-81
2	332.2	691.7	0	+79
3	1,536.8	486.5	+90	-81
4	843.4	-714.5	+150	-81
5	413.9	561.7	+150	-238
6	94.6	723.7	-90	+79
7	-1,236.8	486.5	-90	-81

Continues on next page

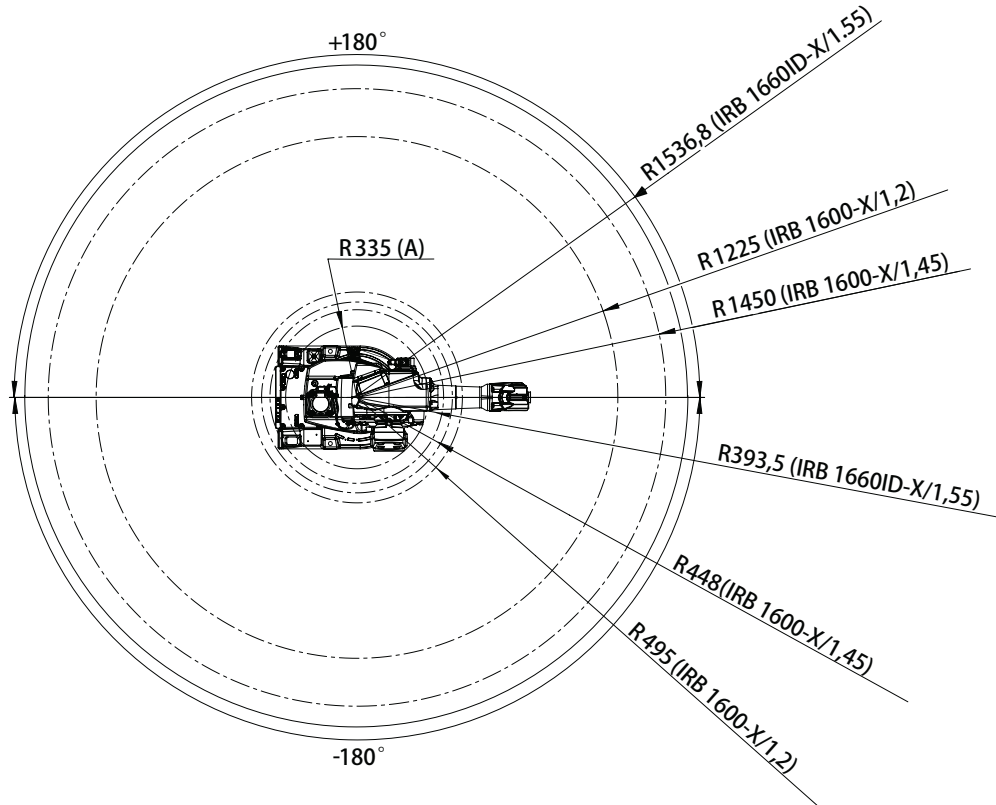
2 Installation and commissioning

2.2.2 Working range

Continued

Turning radius

The turning radius for the robot is shown in the figure below. Notice the differences depending on the length of the lower arm.



xx1500002817

(A)	Minimum turning radius axis 1 (all models)
-----	--

2.2.3 Risk of tipping/stability

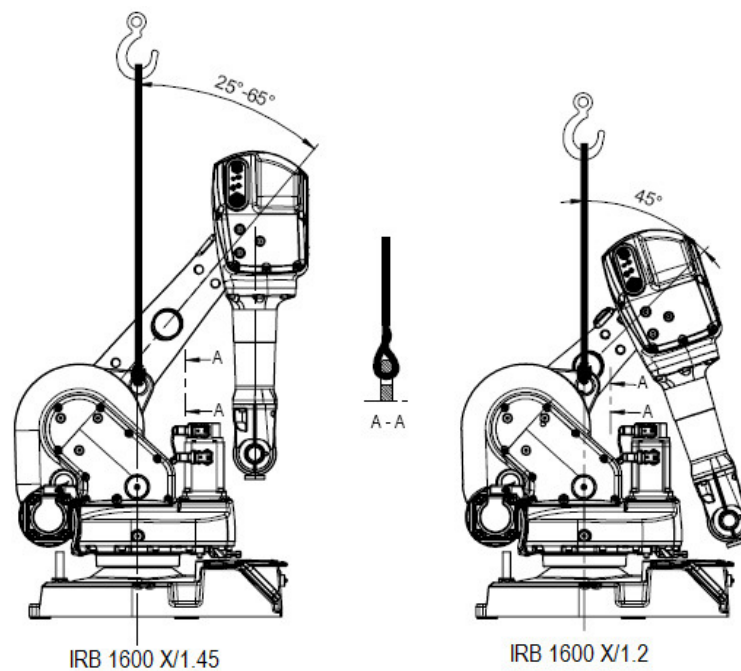
Risk of tipping

Do not change the robot position before securing it to the foundation.

The shipping position is the most stable position.

Shipping and transportation position

This figure shows the robot in its shipping position and transportation position.



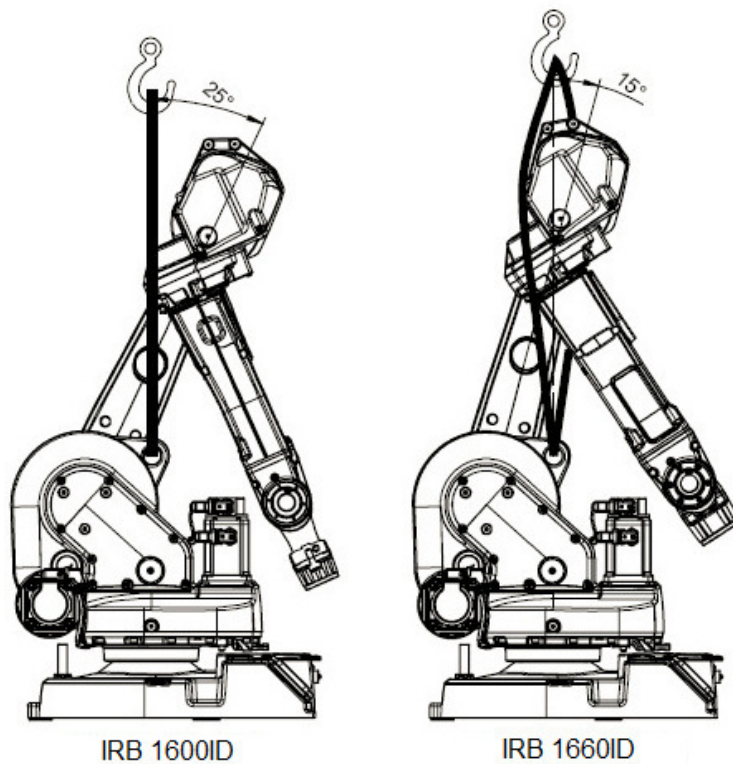
xx1500001247

Continues on next page

2 Installation and commissioning

2.2.3 Risk of tipping/stability

Continued



xx1500001248



WARNING

The robot will be mechanically unstable if not properly secured to the foundation.

2.2.4 The unit is sensitive to ESD

Description

ESD (electrostatic discharge) is the transfer of electrical static charge between two bodies at different potentials, either through direct contact or through an induced electrical field. When handling parts or their containers, personnel not grounded may potentially transfer high static charges. This discharge may destroy sensitive electronics.

Safe handling

Use one of the following alternatives:

- Use a wrist strap.

Wrist straps must be tested frequently to ensure that they are not damaged and are operating correctly.

- Use an ESD protective floor mat.

The mat must be grounded through a current-limiting resistor.

- Use a dissipative table mat.

The mat should provide a controlled discharge of static voltages and must be grounded.

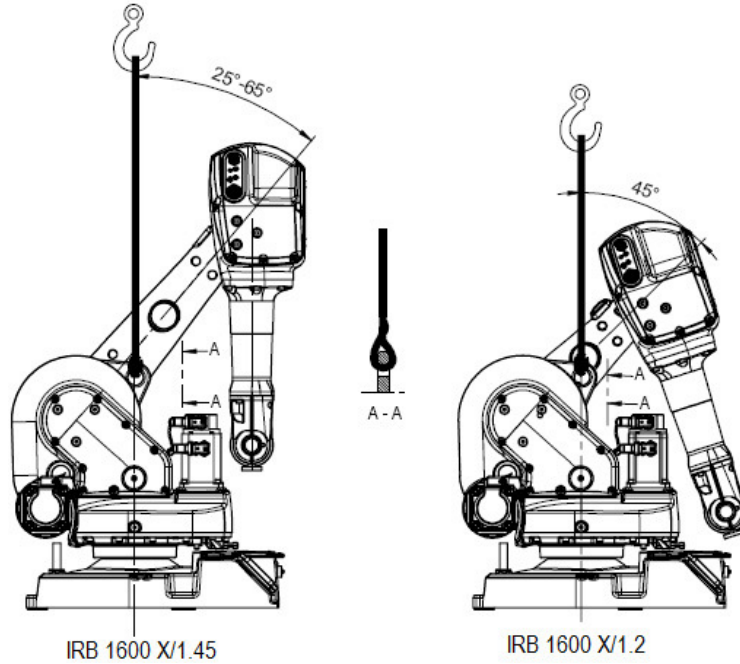
2 Installation and commissioning

2.3.1 Lifting robot with roundslings

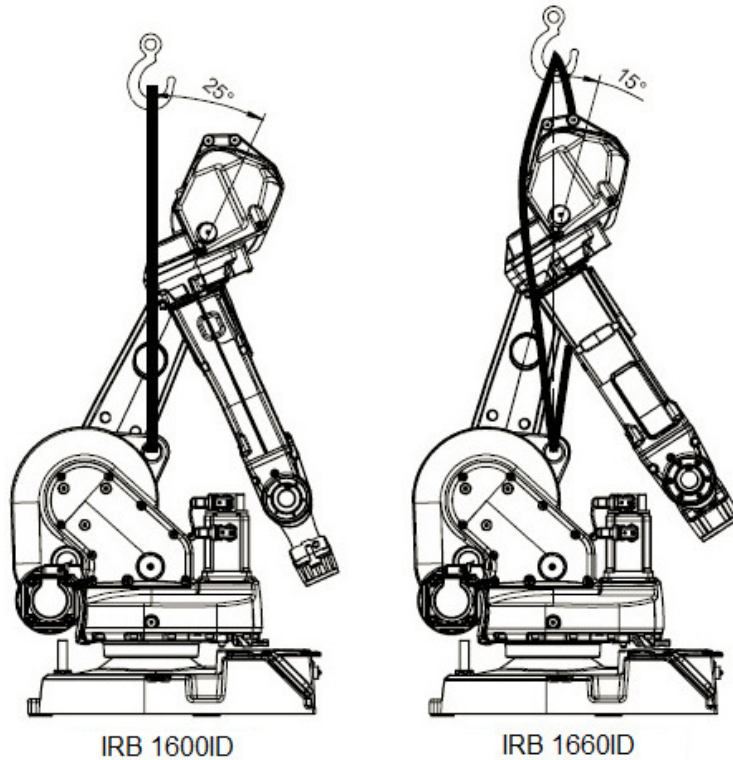
2.3 On-site installation

2.3.1 Lifting robot with roundslings

Attaching the roundslings



xx1500001247



xx1500001248

Continues on next page

2 Installation and commissioning

2.3.1 Lifting robot with roundslings



Continued

Required equipment

Equipment	Art. no.	Note
Overhead crane	-	Lifting capacity: 500 kg.
Roundsling	-	Length: 2 m. Lifting capacity: 500 kg.

Lifting the robot with roundslings

Use this procedure to lift the robot with roundslings.

	Action	Note
1	Move the robot to an appropriate lifting position.	See Risk of tipping/stability on page 55 .
2	Secure the <i>roundsling</i> safely at the lifting lug in the frame and at the overhead crane.	Make sure the roundsling has free space and does not wear against any part of the robot. Capacity for the roundsling is specified in Required equipment on page 59 . See attachment in Attaching the roundslings on page 58 .
3	 CAUTION The robot weighs IRB 1600/IRB 1600ID: 250 kg IRB 1660ID: 260 kg All lifting accessories used must be sized accordingly!	
4	 WARNING Personnel must not, under any circumstances, be present under the suspended load!	
5	Raise the overhead crane to lift the robot.	

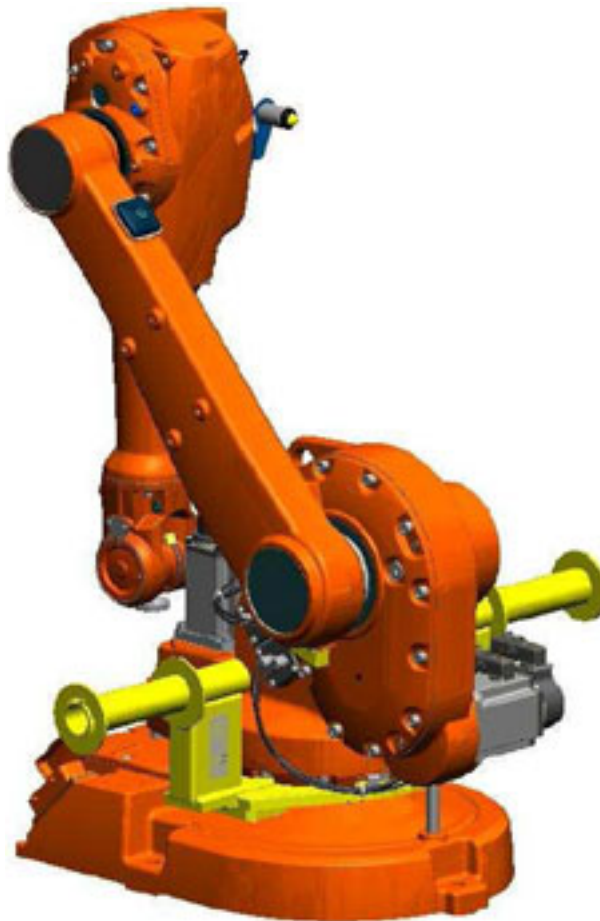
2 Installation and commissioning

2.3.2 Lifting and turning a suspended mounted robot

2.3.2 Lifting and turning a suspended mounted robot

Introduction

How to lift and turn the robot into a suspended position using turning accessory 3HAC037108-001 is described in the lifting instruction (article number 3HAC028664-002) delivered with the turning accessory. Contact ABB for more information.



xx100000320

2.3.3 Manually releasing the brakes

General

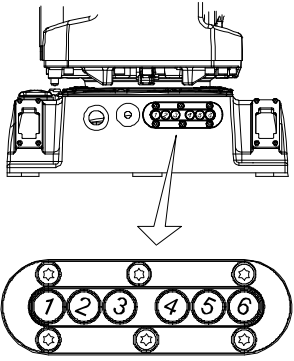

The section below details how to release the holding brakes of each axis' motor.

This may be done in one of three ways:

- using the brake release unit when the robot is connected to the controller.
- using the brake release unit when the robot is disconnected from the controller, but connected to an external power supply at the connector R1.MP.
- using an external voltage supply directly on the motor connector.

Using the brake release unit when the robot is connected to the controller

Use this procedure to release the holding brakes with the internal brake release unit.

	Action	Note
1	The internal brake release unit is located at the base of the robot and equipped with six buttons for controlling the axes brakes. The buttons are numbered according to the numbers of the axes.	 <p>xx0400001255</p>
2	 <p>DANGER</p> <p>When releasing the holding brakes, the robot axes may move very quickly and sometimes in unexpected ways! Make sure no personnel is near or beneath the robot arm!</p>	
3	Release the holding brake on a particular robot axis by pressing the corresponding button on the internal brake release panel and keeping it depressed. The brake will function again as soon as the button is released.	

Continues on next page


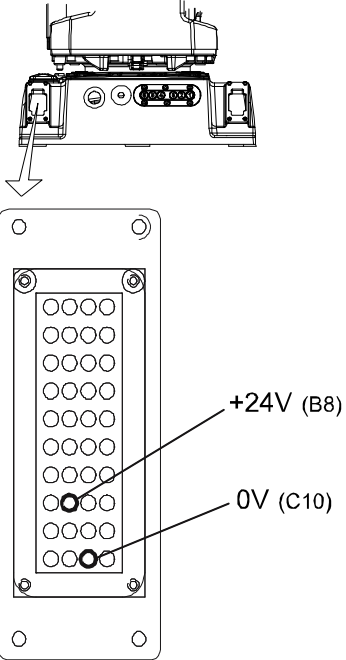
2 Installation and commissioning

2.3.3 Manually releasing the brakes

Continued

Using the brake release unit with an external power supply

This section details how to release the holding brakes with the internal brake release unit using an external voltage supply. This is done if the robot is not connected to the controller.

	Action	Note
1	 DANGER Incorrect connections, such as supplying power to the wrong pin, may cause all brakes to be released simultaneously!	Also, be careful not to interchange the 24V and 0V pins. If they are mixed up, damage can be caused to a resistor diode and to the system board.
2	Connect an external power supply to connector R1.MP.	 <p>xx0400001302</p> <p>Supply:</p> <ul style="list-style-type: none"> • 0V on pin C10 • 24V on pin B8
3	Push the brake release button to release the holding brakes, according to the previous procedure.	

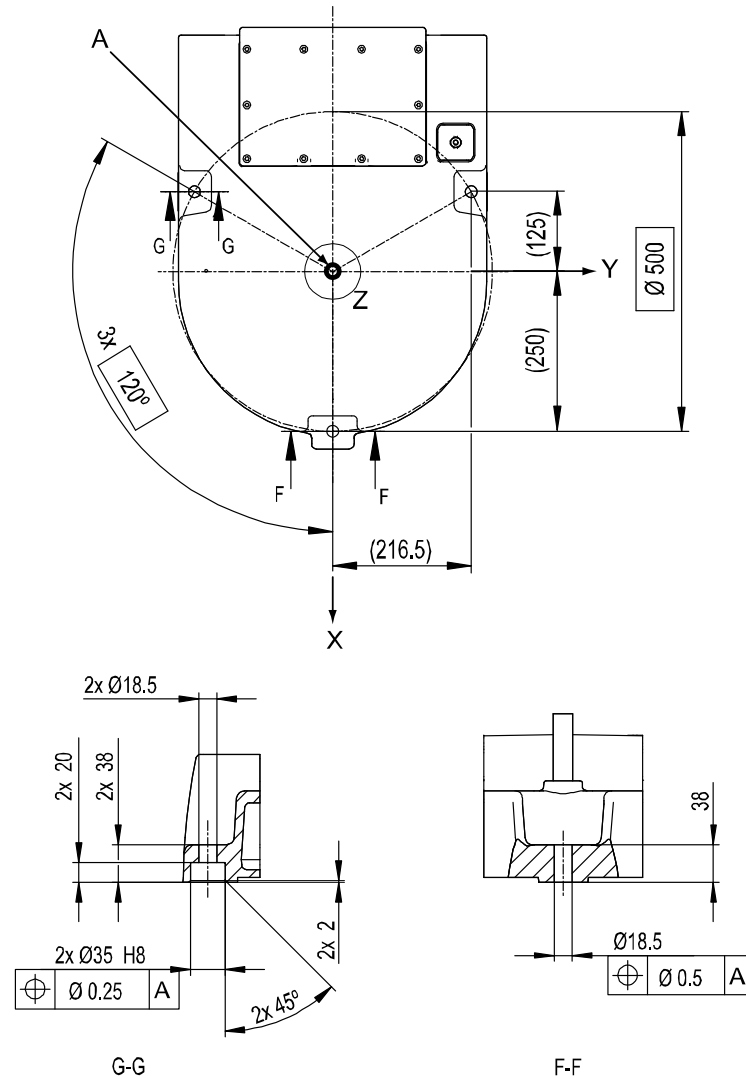
2.3.4 Orienting and securing the robot

General

This section details how to orient and secure the robot at a horizontal level at the installation site.

Hole configuration, base

The figure shows the hole pattern and dimensions of the robot base.



xx0400001300

A	Center of axis 1
---	------------------

Continues on next page

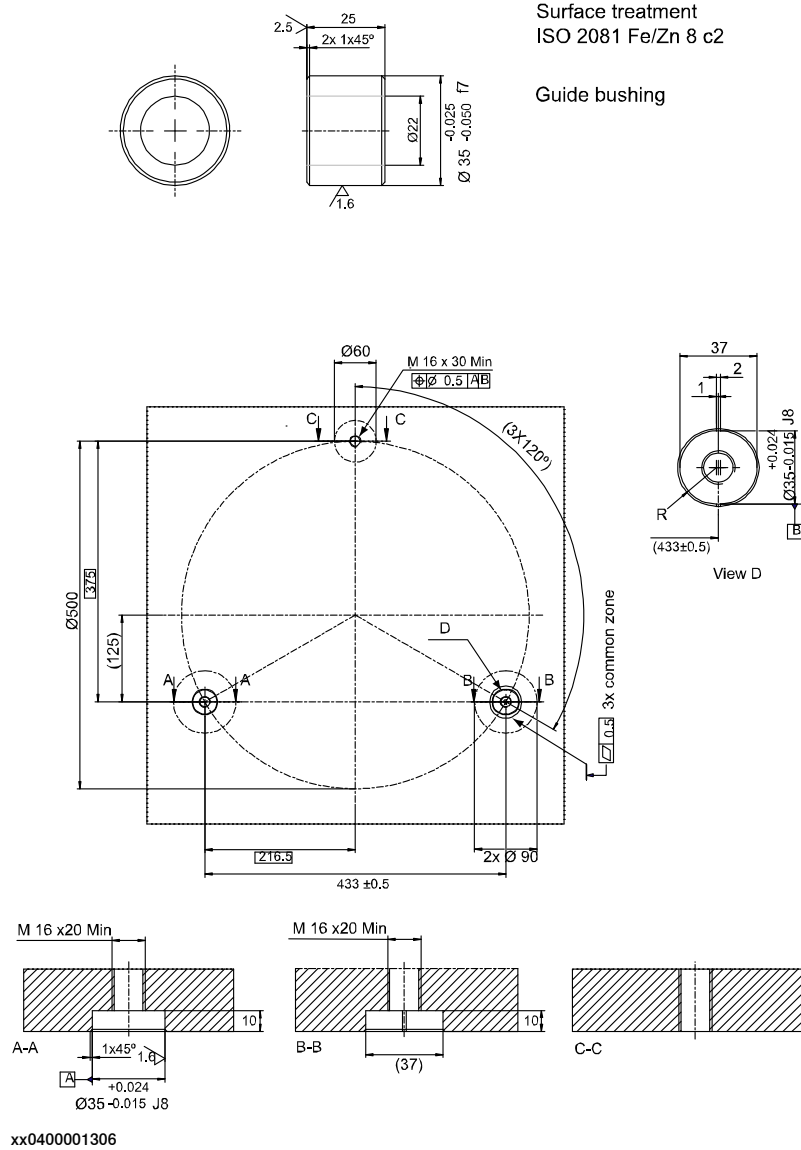
2 Installation and commissioning

2.3.4 Orienting and securing the robot

Continued

Dimension, mounting surface and guiding sleeve

The figure shows the dimension of the mounting surface and guiding sleeves, if used.



Attachment bolts, specification

Attachment bolts	3 pcs M16 x 60 (installation directly on foundation of steel), M16 x 70/80 (installation on foundation or base plate, using guiding sleeves)
Washers	30 x 17 x 3
Quality	8.8 (wall or angle mounted robot: Quality 12.9)
Tightening torque	200 Nm

Guiding sleeves

Use a pair of guiding sleeves to make the robot installation easier.

Continues on next page

The guiding sleeves are absolutely needed if the robot is wall or angle mounted, or if the robot is calibrated with AbsAcc.

Orienting and securing the robot to installation site

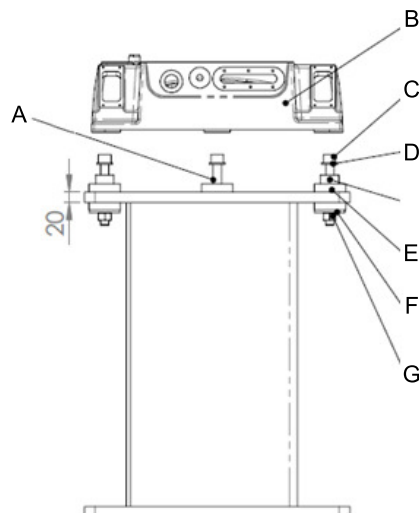
	Action	Note
1	Make sure the installation site for the robot conforms to the specifications in section Pre-installation procedure on page 44 .	
2	Prepare the installation site with attachment holes. If the robot is calibrated with AbsAcc, it must be installed using guiding sleeves.	Hole configuration of the base is shown in the figure Hole configuration, base on page 63 . Dimension of mounting surface and the guiding sleeves are shown in the figure Dimension, mounting surface and guiding sleeve on page 64 .
3	Lift the robot to the installation site.	Detailed in section Lifting robot with roundslings on page 58 .
4	Guide the robot gently using two of the attachment bolts while lowering it into its mounting position.	
5	Fit and tighten the <i>bolts and washers</i> in the base attachment holes.	Specified in section Attachment bolts, specification on page 64 .

Isolating AW manipulator



CAUTION

If the manipulator is used for arc welding and is mounted on a pedestal, make sure that the manipulator is isolated from the pedestal with isolators.



A	Attachment point, front (no guide sleeve)
B	Manipulator base
C	Screw M16x120

Continues on next page

2 Installation and commissioning

2.3.4 Orienting and securing the robot

Continued

D	Plain washer
E	Guide sleeve
F	Isolator
G	Nut M16

2.3.5 Setting the system parameters for a suspended or tilted robot

General

The robot is configured for mounting parallel to the floor, without tilting, on delivery. The method for mounting the robot in a suspended (upside down) or tilted position is basically the same as for floor mounting, but the system parameters that describe the mounting angle (how the robot is oriented relative to the gravity) must be re-defined.



Note

With suspended installation, make sure that the gantry or corresponding structure is rigid enough to prevent unacceptable vibrations and deflections, so that optimum performance can be achieved.

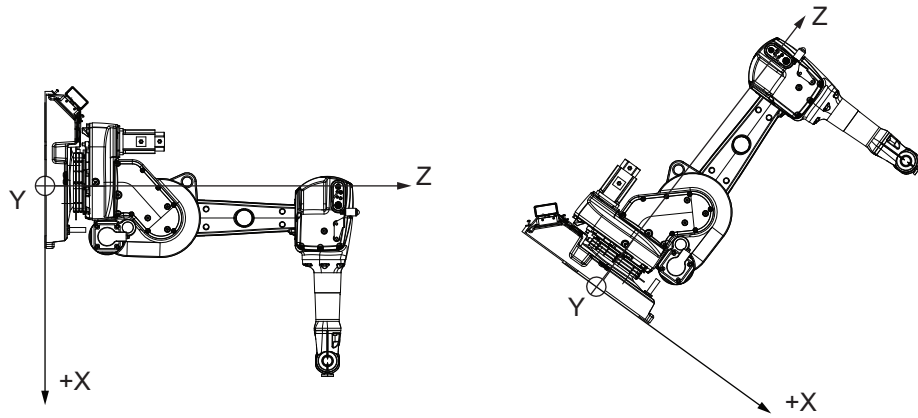


Note

The allowed mounting positions are described in the product specification for the robot. The requirements on the foundation are described in [Requirements, foundation on page 46](#).

The x-direction in the base coordinate system

If the robot is wall mounted or mounted in a tilted position, it is important that the x-direction of the robot base coordinate system points downwards, as shown in the following figure.



xx1200001354

Continues on next page

2 Installation and commissioning

2.3.5 Setting the system parameters for a suspended or tilted robot

Continued

System parameters



Note

The mounting angle must be configured correctly in the system parameters so that the robot system can control the movements in the best possible way. An incorrect definition of the mounting angle will result in:

- Overloading the mechanical structure.
- Lower path performance and path accuracy.
- Some functions will not work properly, for example *Load Identification* and *Collision detection*.

Gravity Beta

If the robot is mounted upside down or on a wall (rotated around the y-axis), then the robot base frame and the system parameter *Gravity Beta* must be redefined. *Gravity Beta* should then be π (+3.141593) if the robot is mounted upside down (suspended), or $\pm\pi/2$ (± 1.570796) if mounted on a wall.

The *Gravity Beta* is a positive rotation direction around the y-axis in the base coordinate system. The value is set in radians.

Gravity Alpha

If the robot is mounted on a wall (rotated around the x-axis), then the robot base frame and the system parameter *Gravity Alpha* must be redefined. The value of *Gravity Alpha* should then be $\pm\pi/2$ (± 1.570796).

The *Gravity Alpha* is a positive rotation direction around the x-axis in the base coordinate system. The value is set in radians.



Note

The system parameter *Gravity Alpha* is not supported for all robot types. It is not supported for IRB 140, IRB 1410, IRB 1600ID, IRB 2400, IRB 4400, IRB 6400R, IRB 6400 (except for IRB 6400 200/2.5 and IRB 6400 200/2.8), IRB 6600, IRB 6650, IRB 6650S and IRB 7600 (except for IRB 7600 325/3.1).

If the robot does not support *Gravity Alpha*, then use *Gravity Beta* along with the recalibration of axis 1 to define the rotation of the robot around the x-axis.



Note

The parameter is supported for all robots on track when the system parameter *7 axes high performance motion* is set, see *Technical reference manual - System parameters*.

Gamma Rotation

Gamma Rotation defines the orientation of the robot foot on the travel carriage (track motion).

Continues on next page

Mounting angles and values

The parameter *Gravity Beta* (or *Gravity Alpha*) specifies the mounting angle of the robot in radians. It is calculated in the following way.

$\text{Gravity Beta} = A^\circ \times 3.141593/180 = B \text{ radians}$, where **A** is the mounting angle in degrees and **B** is the mounting angle in radians.

Example of position	Mounting angle (A °)	Gravity Beta
Floor mounted	0°	0.000000 (Default)
Tilted mounting	30°	0.523599
Wall mounting	90°	1.570796
Suspended mounting	180°	3.141593

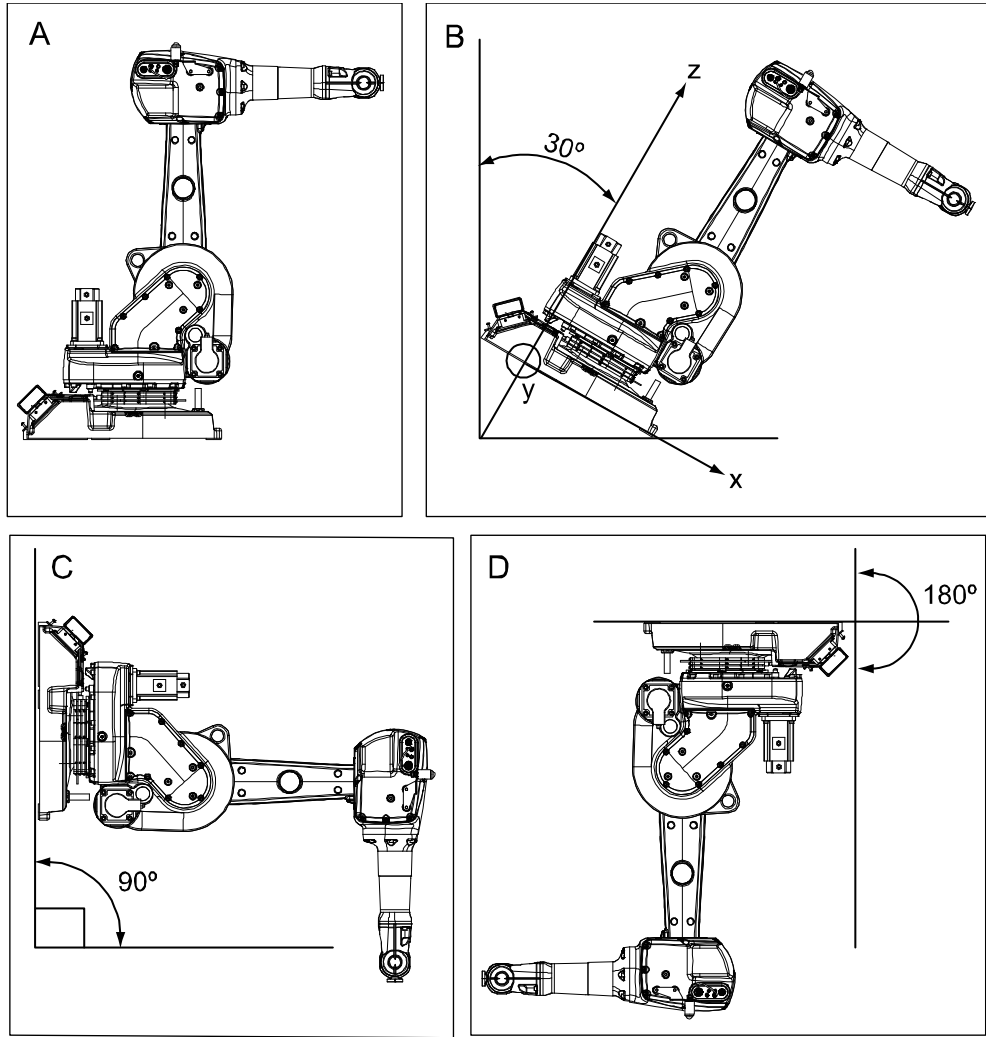
Continues on next page

2 Installation and commissioning

2.3.5 Setting the system parameters for a suspended or tilted robot

Continued

Examples of mounting angles tilted around the Y axis (*Gravity Beta*)



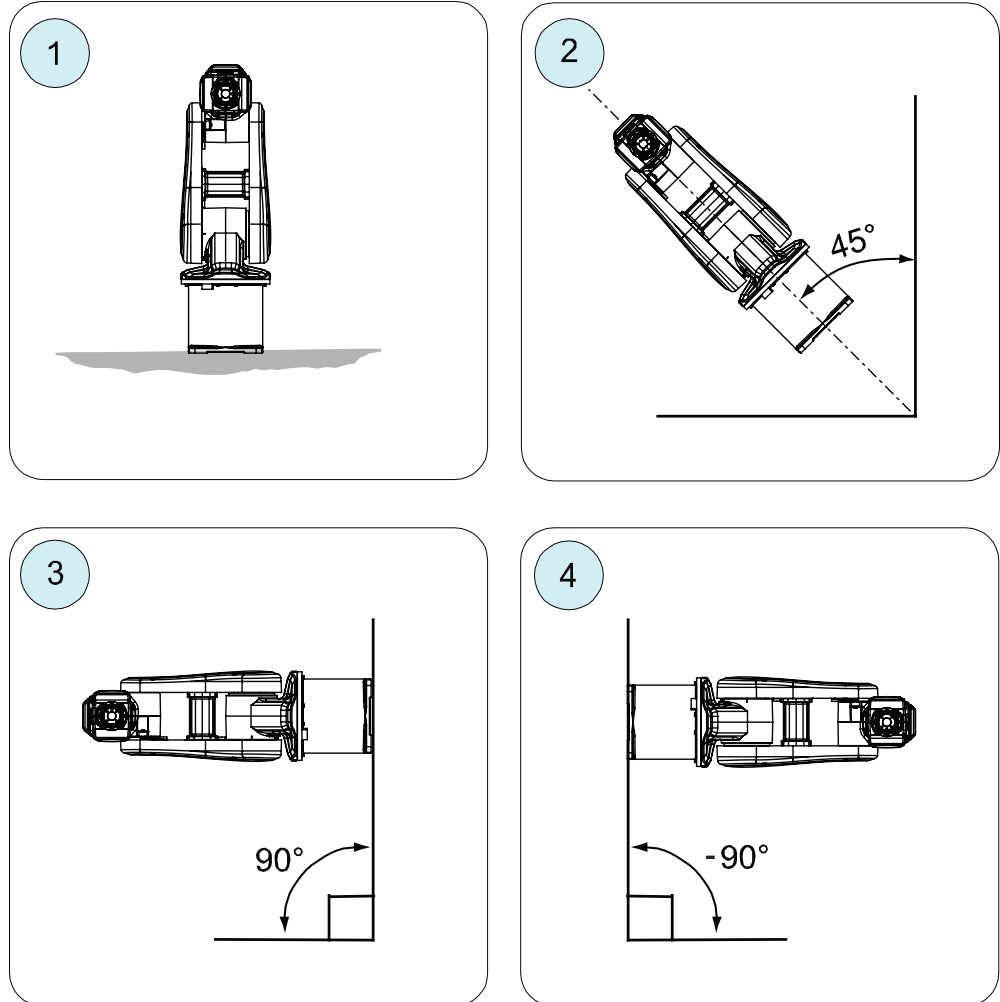
xx0600002779

A	Floor mounted
B	Tilted mounting, mounting angle 30°
C	Wall mounted, mounting angle 90°
D	Suspended mounting, mounting angle 180°

Continues on next page

Examples of mounting angles tilted around the X axis (*Gravity Alpha*)

The following illustration shows the IRB 120, but the same principle applies for all robots.



xx150000532

Pos	Mounting angle	Gravity Alpha
1	0° (Floor mounted)	0
2	45° (Tilted)	0.785398
3	90° (Wall)	1.570796
4	-90° (Wall)	-1.570796



Note

For suspended robots (180°), it is recommended to use *Gravity Beta* instead of *Gravity Alpha*.

Continues on next page

2 Installation and commissioning

2.3.5 Setting the system parameters for a suspended or tilted robot

Continued

Limitations in working area

If tilting a floor mounted robot or mounting the robot on a wall, the working range of axis 1 is limited. These limitations are specified in the table [Working range on page 49](#).

Defining the parameter in RobotWare

The value of the system parameters that define the mounting angle must be redefined when changing the mounting angle of the robot. The parameters belong to the type *Robot*, in the topic *Motion*.

How to calculate a new value is detailed in [Mounting angles and values on page 69](#).

The system parameters are described in *Technical reference manual - System parameters*.

The system parameters are configured in RobotStudio or on the FlexPendant.

2.3.6 Loads fitted to the robot, stopping time and braking distances

General

Any loads mounted on the robot must be defined correctly and carefully (with regard to the position of center of gravity and mass moments of inertia) in order to avoid jolting movements and overloading motors, gears and structure.



CAUTION

Incorrectly defined loads may result in operational stops or major damage to the robot.

References

Load diagrams, permitted extra loads (equipment) and their positions are specified in the product specification. The loads must be defined in the software.

- *Operating manual - IRC5 with FlexPendant*

Stopping time and braking distances

The performance of the motor brake depends on if there are any loads attached to the robot. For more information, see product specification listed in [References on page 10](#).

2 Installation and commissioning

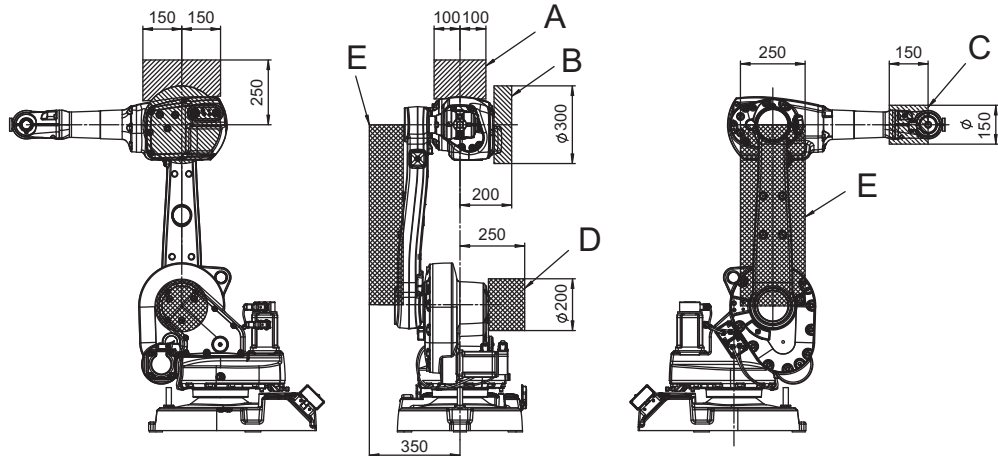
2.3.7 Fitting equipment on the robot (robot dimensions)

2.3.7 Fitting equipment on the robot (robot dimensions)

Load areas

Extra loads can be mounted on the wrist, the upper arm housing, and on the frame. Load areas and permitted loads are shown in graphic below. The center of gravity of the extra load shall be within the marked load areas.

IRB 1600 - 5 kg and 7 kg



xx1000000154

Robot	Maximum load in load area					
	A	B	C	D	E	A+B+E
IRB 1600-5/X	15 kg	5 kg	0.5 kg	15 kg	15 kg	15 kg
IRB 1600-7/X	5 kg	5 kg	0.5 kg	15 kg	5 kg	5 kg

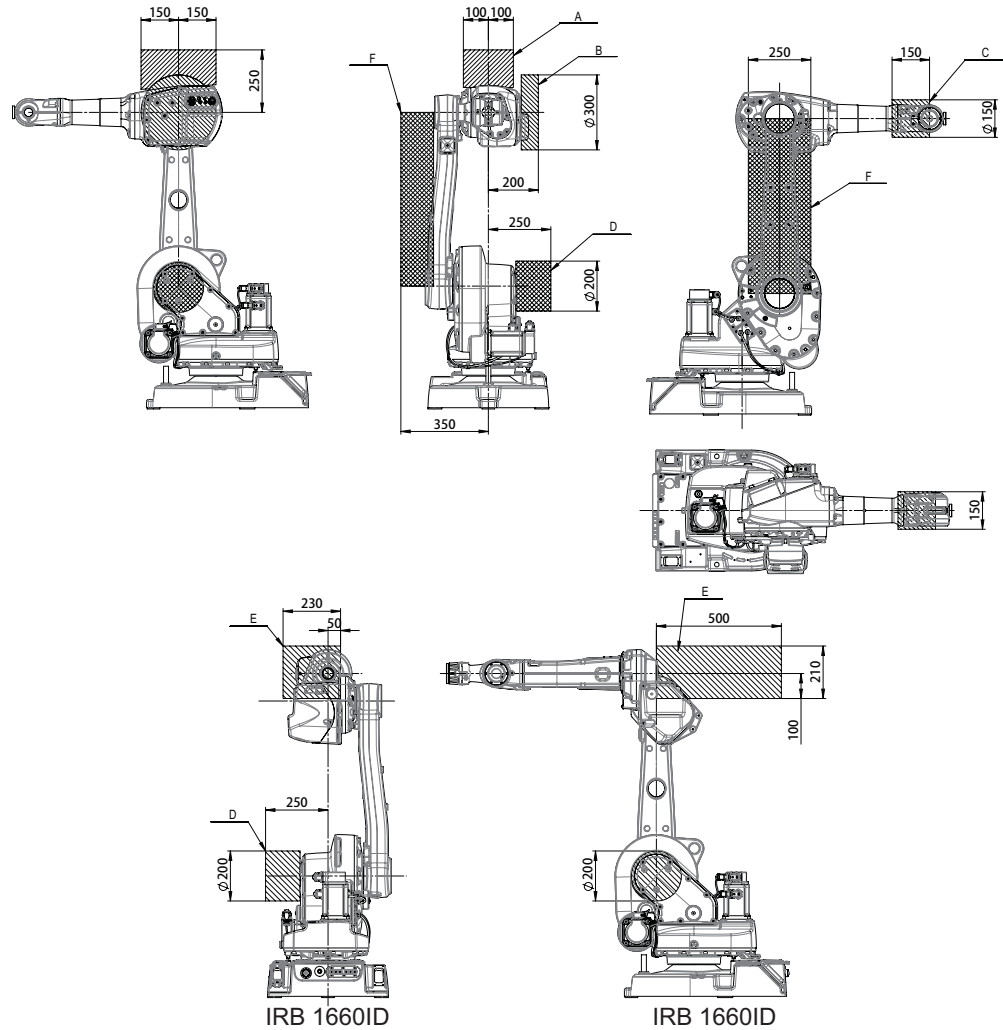
Continues on next page

2 Installation and commissioning

2.3.7 Fitting equipment on the robot (robot dimensions)

Continued

IRB 1600 - 6 kg, 8 kg, 10 kg, 1600ID, and 1660ID



xx1500001249

Robot	Maximum load in load area							
	A	B	C	D	E	F	A+B+F	E+F
IRB 1600-6/X	15 kg	5 kg	0.5 kg	15 kg	-	15 kg	15 kg	-
IRB 1600-8/X	5 kg	5 kg	0.5 kg	15 kg	-	5 kg	5 kg	-
IRB 1600-10/X	5 kg	5 kg	0.5 kg	15 kg	-	5 kg	5 kg	-
IRB 1600ID-4/1.5	-	-	-	15 kg	15 kg	15 kg	-	15 kg
IRB 1660ID-6/1.55	-	-	-	15 kg	10 kg	15 kg	-	15 kg
IRB 1660ID-4/1.55	-	-	-	15 kg	12 kg	15 kg	-	15 kg

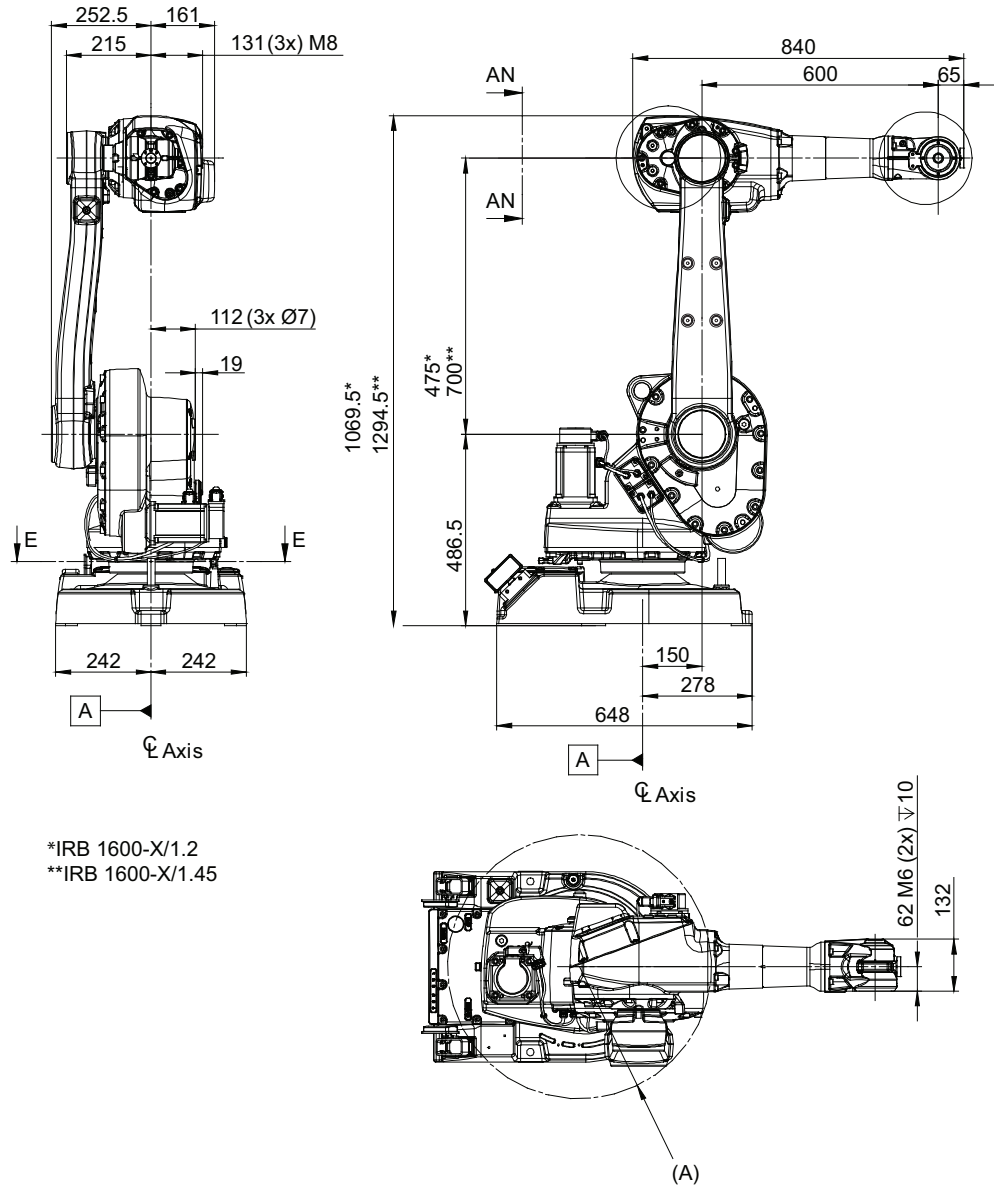
Continues on next page

2 Installation and commissioning

2.3.7 Fitting equipment on the robot (robot dimensions)

Continued

Dimensions IRB 1600-X/1.2 (1.45)



*IRB 1600-X/1.2
**IRB 1600-X/1.45

xx100000972

A	R335 Minimum turning radius
---	-----------------------------

Continues on next page

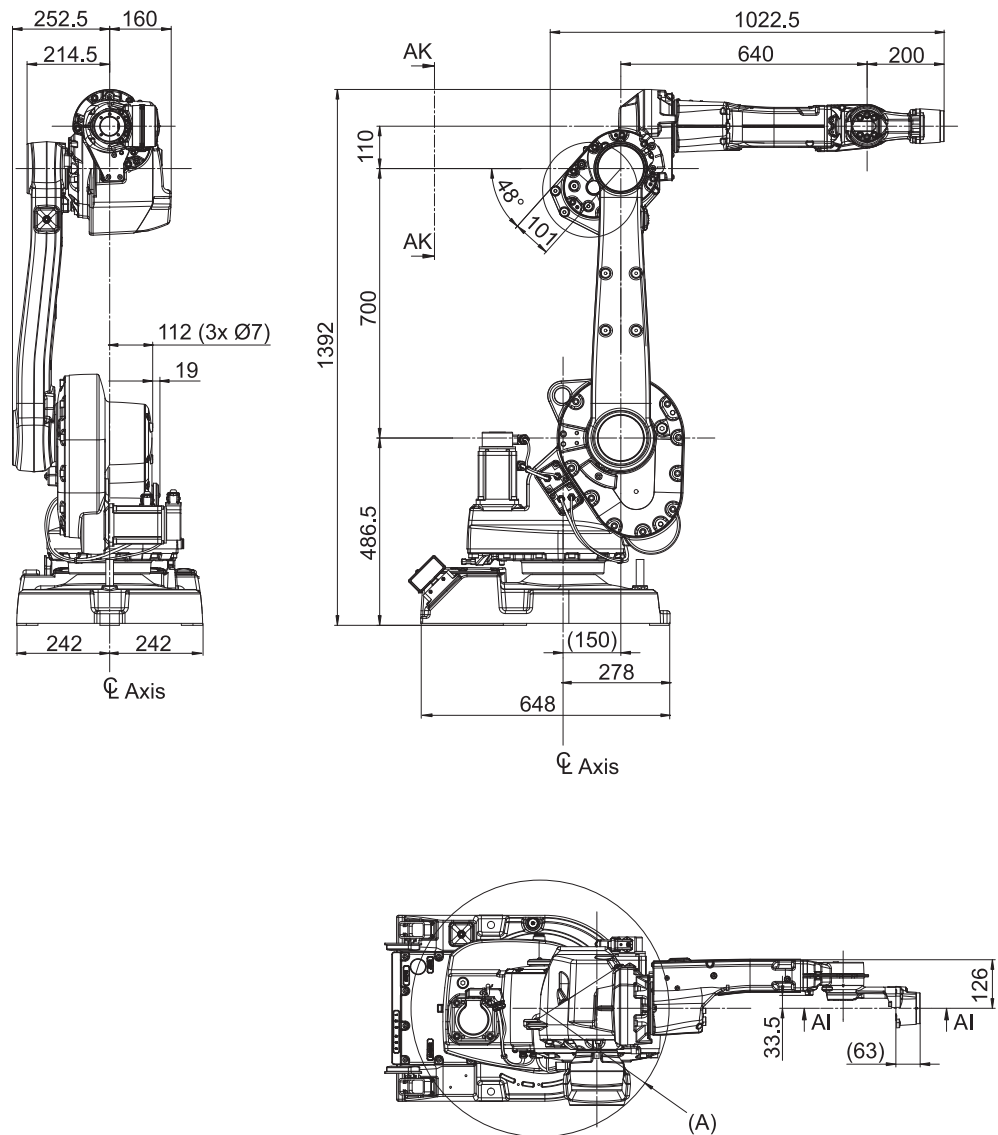
2 Installation and commissioning

2.3.7 Fitting equipment on the robot (robot dimensions)

Continued

Dimensions IRB 1600ID

IRB 1600ID-4/1.5



xx100000893

A	R335 Minimum turning radius
---	-----------------------------

Continues on next page

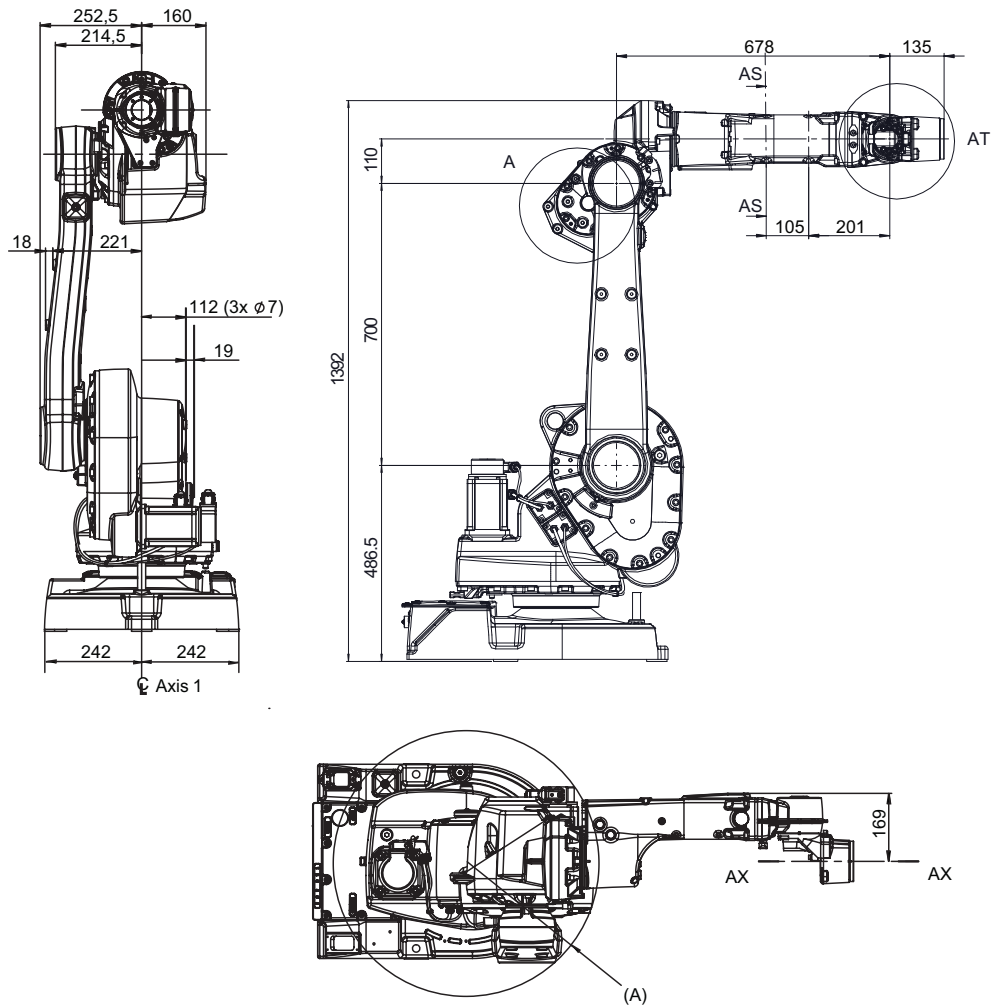
2 Installation and commissioning

2.3.7 Fitting equipment on the robot (robot dimensions)

Continued

Dimensions IRB 1660ID

IRB 1660ID-X/1.55



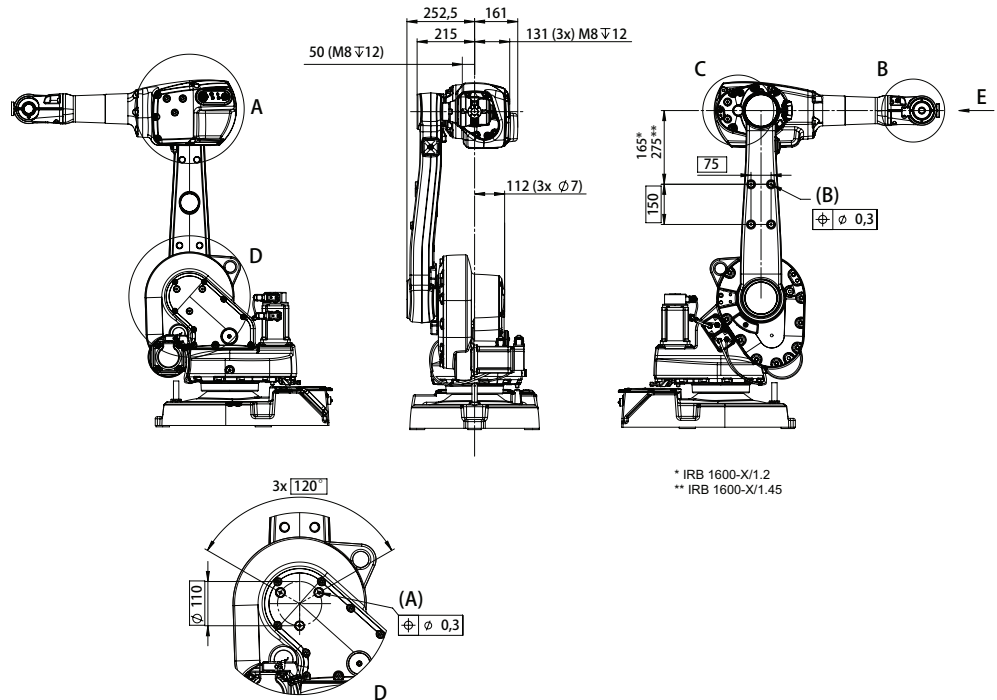
xx1500001250

A	R335 Minimum turning radius
---	-----------------------------

Continues on next page

Holes for mounting of extra equipment for IRB 1600

The robot has holes for mounting extra equipment.



xx1500003258

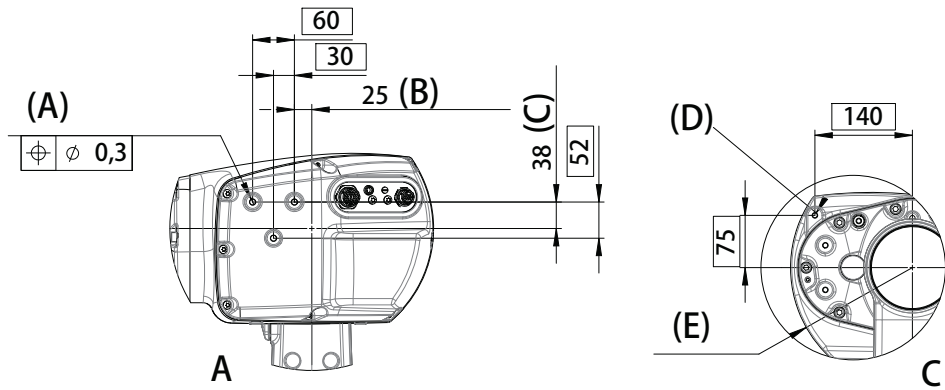
A	3x∅7 maximum depth 27. Reserved as a guide hole for enlarging the base hole to install the threaded sleeve (if needed). An M8 threaded sleeve with a max. depth of 20 mm is recommended.
B	4xM8 depth 12, mounting holes for equipment

Continues on next page

2 Installation and commissioning

2.3.7 Fitting equipment on the robot (robot dimensions)

Continued



xx1500003262

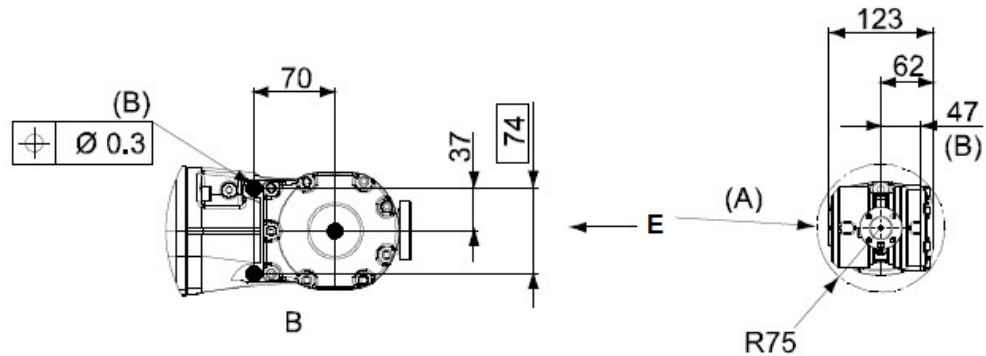
A	3xM8 depth 12, mounting holes for equipment
B	From center line axis 3
C	From center line axis 4
D	3xM8 depth 16, mounting holes for equipment
E	R175, Axis 3 turning radius



Note

Note! When mounting heavier equipment, for example wire feeders in holes (A), the bracket must be supported in the opposite holes (D).

Design until June 2006



xx1500003259

A	View from E
B	2xM5 depth 7.5, mounting holes for equipment

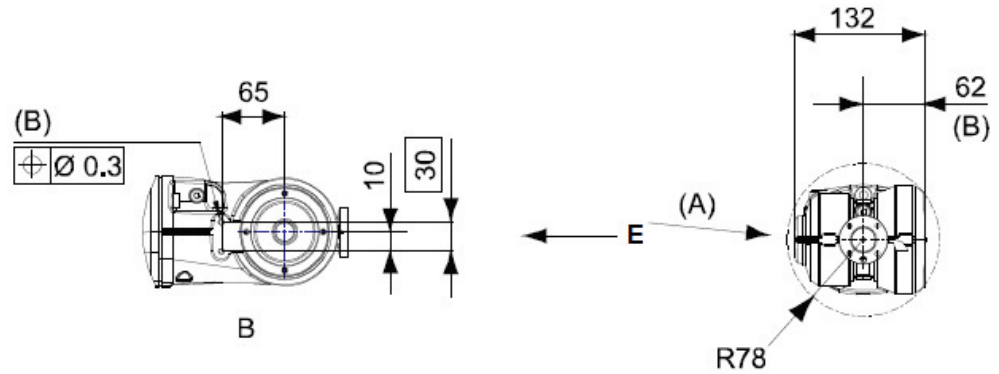
Continues on next page

2 Installation and commissioning

2.3.7 Fitting equipment on the robot (robot dimensions)

Continued

Design after June 2006, type A



xx1500003260

A	View from E
B	2xM6 depth 10, mounting holes for equipment

Continues on next page

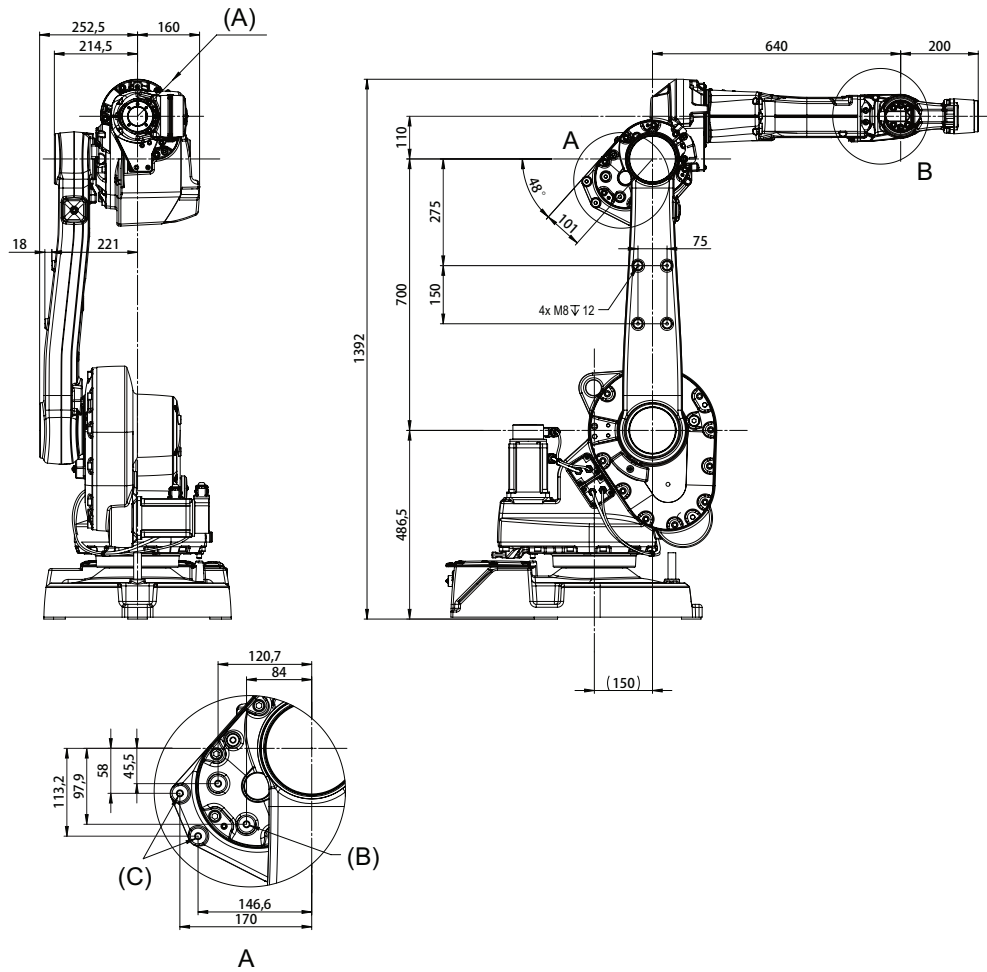
2 Installation and commissioning

2.3.7 Fitting equipment on the robot (robot dimensions)

Continued

Holes for mounting of extra equipment for IRB 1600ID

IRB 1600ID-4/1.5



xx100000911

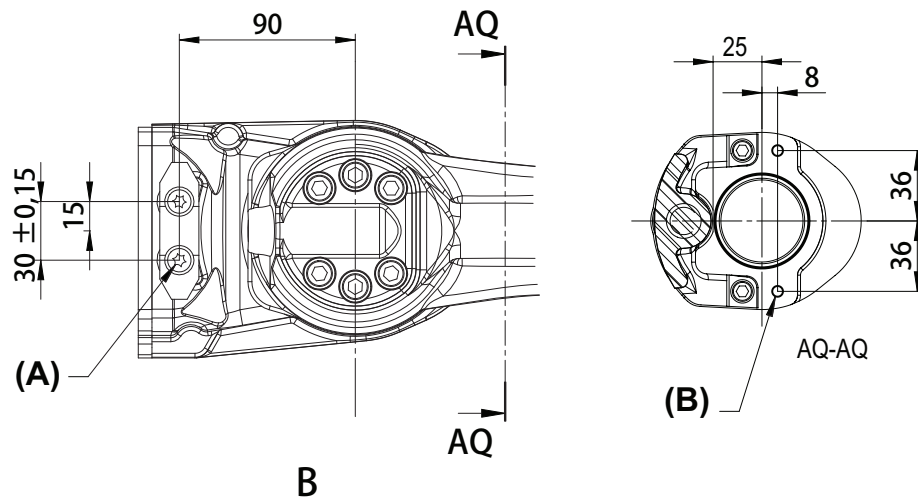
A	R130, smallest circumscribed radius of axis 4
B	2xM8 depth 16, mounting holes for equipment
C	2xM8, mounting holes for equipment

Continues on next page

2 Installation and commissioning

2.3.7 Fitting equipment on the robot (robot dimensions)

Continued



xx1500003261

A	2xM6 depth 12, mounting holes for equipment
B	2xM6 depth 12, mounting holes for equipment



Note

Lower arms among IRB 1600, IRB 1600ID, and IRB 1660ID are the same. For holes on the lower arm, see [Holes for mounting of extra equipment for IRB 1600 on page 79](#).

Continues on next page

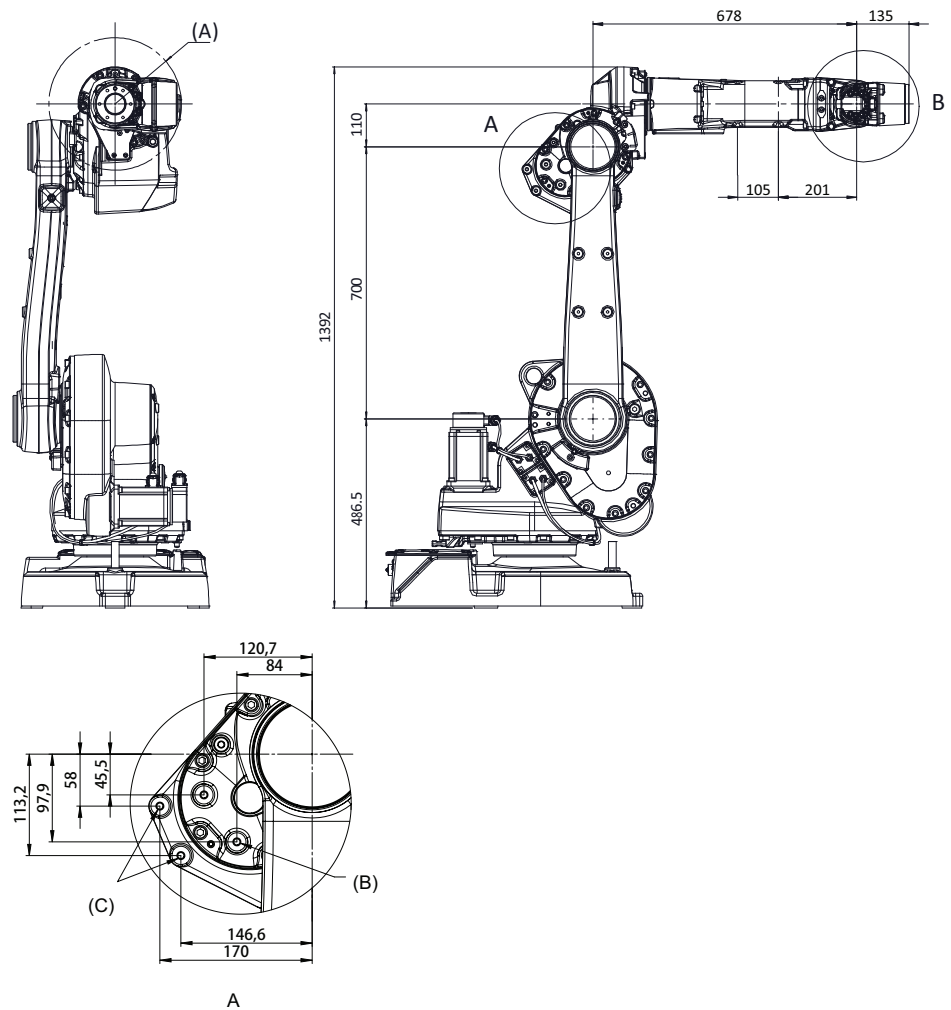
2 Installation and commissioning

2.3.7 Fitting equipment on the robot (robot dimensions)

Continued

Holes for mounting of extra equipment for IRB 1660ID

IRB 1660ID-X/1.55



xx1500001253

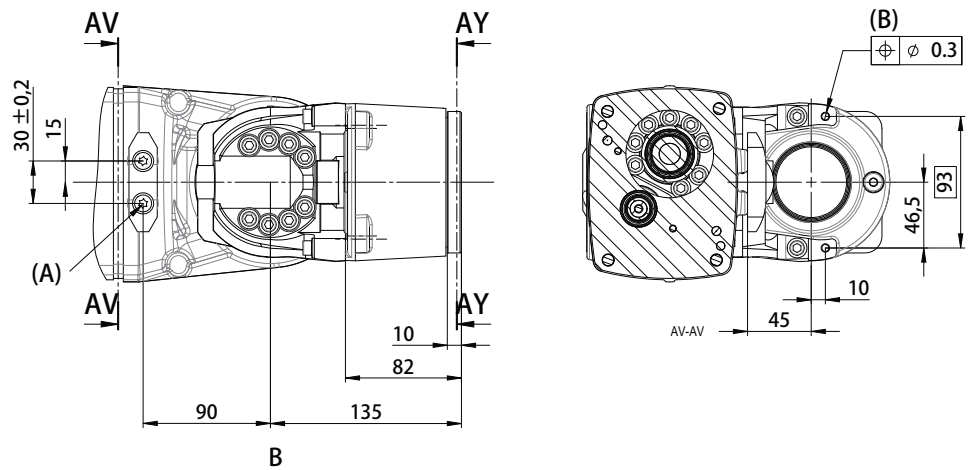
A	R170.4, smallest circumscribed radius of axis 4
B	2xM8 depth 16, mounting holes for equipment
C	2xM8, mounting holes for equipment

Continues on next page

2 Installation and commissioning

2.3.7 Fitting equipment on the robot (robot dimensions)

Continued



xx1500001251

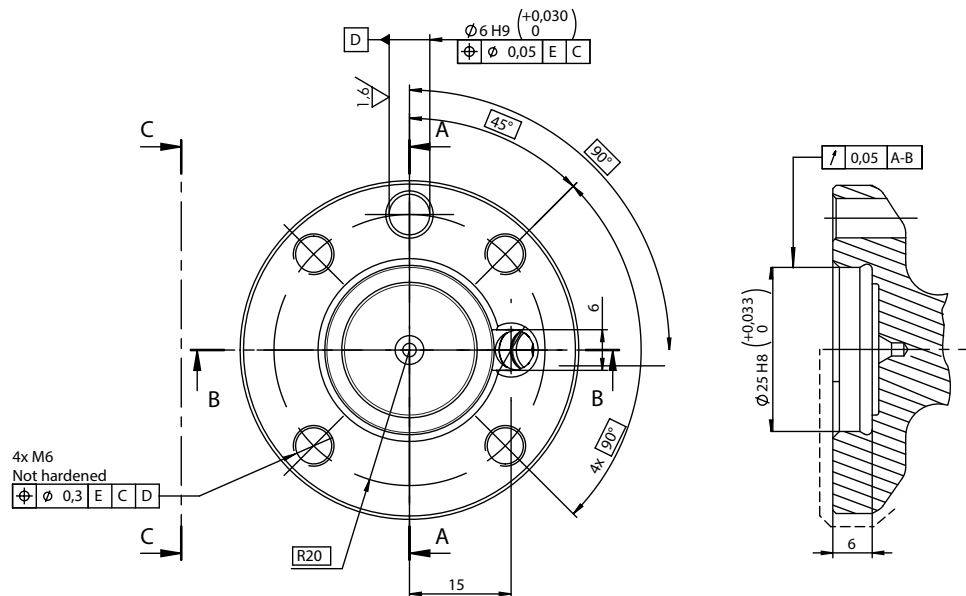
A	2xM6 depth 12, mounting holes for equipment
B	2xM6 depth 18, mounting holes for equipment



Note

Lower arms among IRB 1600, IRB 1600ID, and IRB 1660ID are the same. For holes on the lower arm, see [Holes for mounting of extra equipment for IRB 1600 on page 79](#).

Robot tool flange



xx1000000912

Continues on next page

2 Installation and commissioning

2.3.7 Fitting equipment on the robot (robot dimensions)

Continued

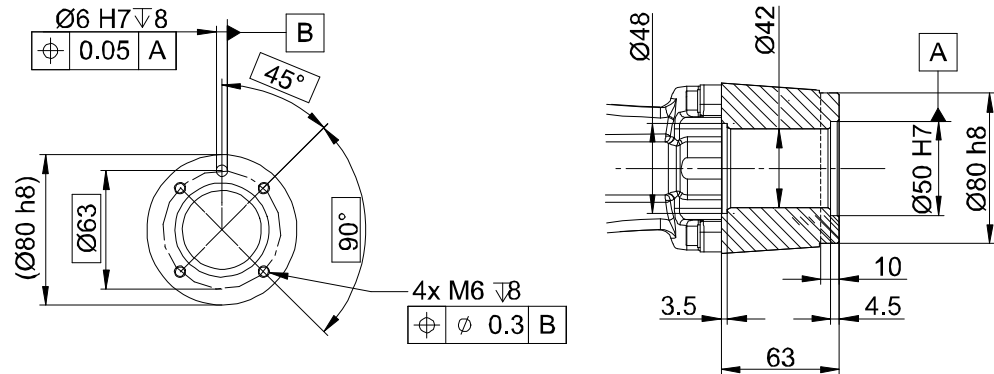


Note

The tool flange dimensions are the same over time, but a hole for the Axis calibration method is added. This hole is not perpendicular to the surface so it is easily noticed.

Robot tool flange for IRB 1600ID

IRB 1600ID-4/1.5



xx100000913



Note

Make sure that the guide pin is not inserted more than max. 9.5mm in the tool flange.

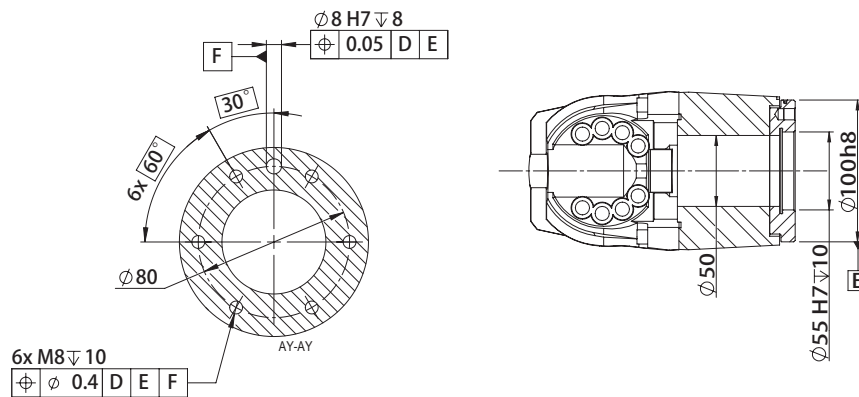
Before mounting the tool, insert the screw and measure the length of the screw sticking out, behind the tool. The length must not exceed 9.5 mm. Otherwise there is a risk that the screw can damage the sealing behind the tool flange.

The length, 9.5mm, refers to the total length of the screw, not just the thread length.

Continues on next page

Robot tool flange for IRB 1660ID

IRB 1660ID-X/1.55



xx1500001254

Fastener quality

When fitting tools on the tool flange, only use screws with quality 12.9. For other equipment use suitable screws and tightening torque for your application.

2 Installation and commissioning

2.3.8 Installation of signal lamp for 1600 (option)

2.3.8 Installation of signal lamp for 1600 (option)

General

A signal lamp with an yellow fixed light can be mounted on the robot, as a safety device. The signal lamp is required on an UL/UR approved robot.

The lamp is active in MOTORS ON mode.



Note

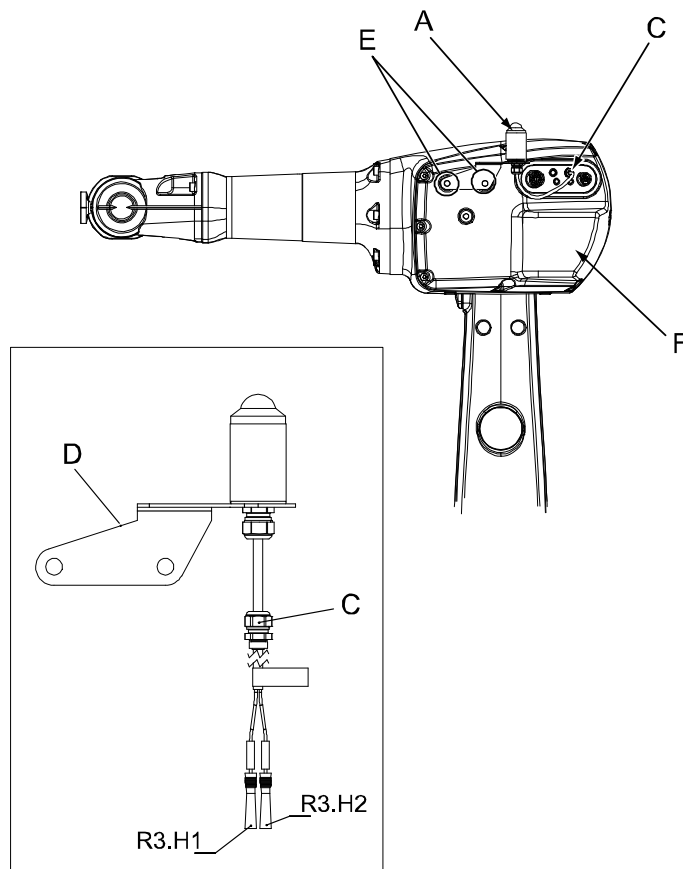
Do not use the signal lamp option in a Clean Room environment.

Different signal lamps on IRB 1600 and IRB 1600ID

This instruction details how to install the signal lamp on IRB 1600. If installing the lamp on an IRB 1600ID or an IRB 1660ID robot, see [Installation of signal lamp for 1600ID/1660ID \(option\) on page 91](#).

Location of signal lamp

The signal lamp is fitted to the upper arm housing of the robot, as shown in the figure below.



xx0400001265

A	Signal lamp
C	Cable gland

Continues on next page

2 Installation and commissioning

2.3.8 Installation of signal lamp for 1600 (option)

Continued


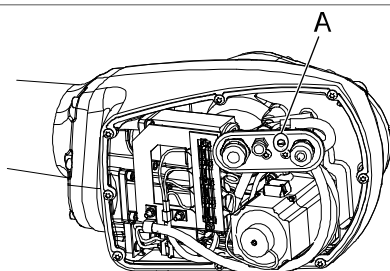
D	Cable bracket
E	Attachment holes for the signal lamp
F	Cover, upper arm housing

Required equipment

Equipment	Art. no.	Note
Signal lamp	3HAC050417-001	ABB Orange
	3HAC050418-001	Graphite White
Gasket, customer connections	3HAC022050-001	Replace if damaged.
Gasket, upper arm cover	3HAC022049-001	Replace if damaged.

Installation, signal lamp

The procedure below details how to install the signal lamp to the robot.

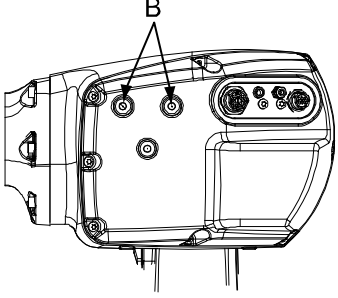
	Action	Note/Illustration
1	 DANGER Turn off all: <ul style="list-style-type: none"> • electric power supply • hydraulic pressure supply • air pressure supply to the robot, before entering the robot working area.	
2	Remove the <i>cover from the upper arm housing</i> to get access to the connectors inside the housing.	Shown in the figure Location of signal lamp on page 88 .
3	Remove the protection plug (A) from the insertion hole in the contact panel. Run the cables of the lamp through the hole in the contact panel. Secure the cable gland in the hole.	 <p>xx0400001264</p> <ul style="list-style-type: none"> • A: Plug with o-ring, M10
4	Connect the lamp connectors, R3.H1 and R3.H2 and place the cables safely inside the housing.	
5	Take out the lamp unit through the hole in the <i>upper arm housing cover</i> and refit the cover. Make sure the gaskets are not damaged.	Shown in the figure Location of signal lamp on page 88 .

Continues on next page

2 Installation and commissioning

2.3.8 Installation of signal lamp for 1600 (option)

Continued

	Action	Note/Illustration
6	Fit the <i>cable bracket</i> of the signal lamp to the two mounting holes in the upper arm housing (B).	<p>Shown in the figure Location of signal lamp on page 88.</p>  <p>xx0400001263</p> <ul style="list-style-type: none">• B: Mounting holes, M8 x 12
7	The signal lamp is now ready for use and is lit in MOTORS ON mode.	

2.3.9 Installation of signal lamp for 1600ID/1660ID (option)

General

A signal lamp with a yellow fixed light can be mounted on the robot, as a safety device. The signal lamp is required on an UL/UR approved robot.

The lamp is active in MOTORS ON mode.

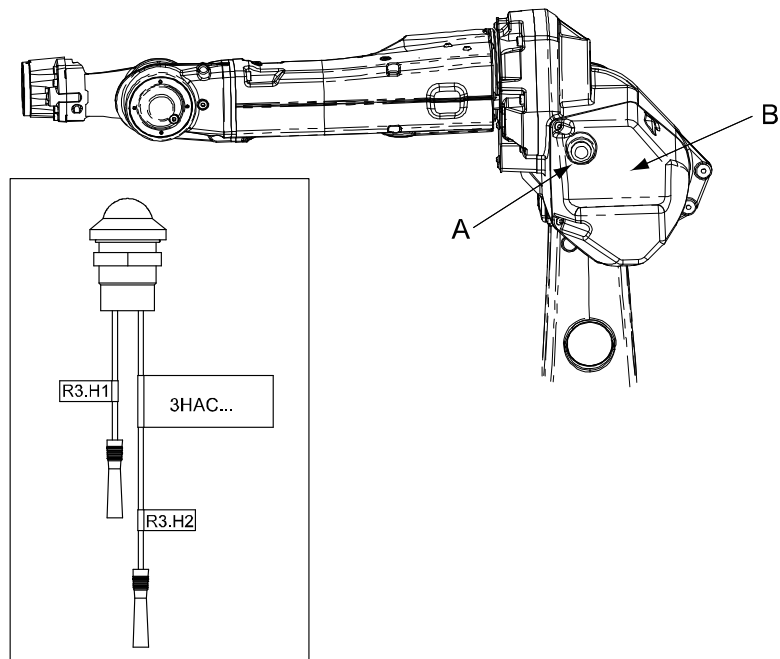


Note

Do not use the signal lamp option in a Clean Room environment.

Location of signal lamp

The signal lamp is fitted to the upper arm housing of the robot, as shown in the figure below



xx0700000100

A	Signal lamp
B	Cover, upper arm housing

Required equipment

Equipment	Art. no.	Note
Signal lamp	3HAC9258-1	
Drill	-	Diameter 22.5 mm

Continues on next page


2 Installation and commissioning

2.3.9 Installation of signal lamp for 1600ID/1660ID (option)

Continued

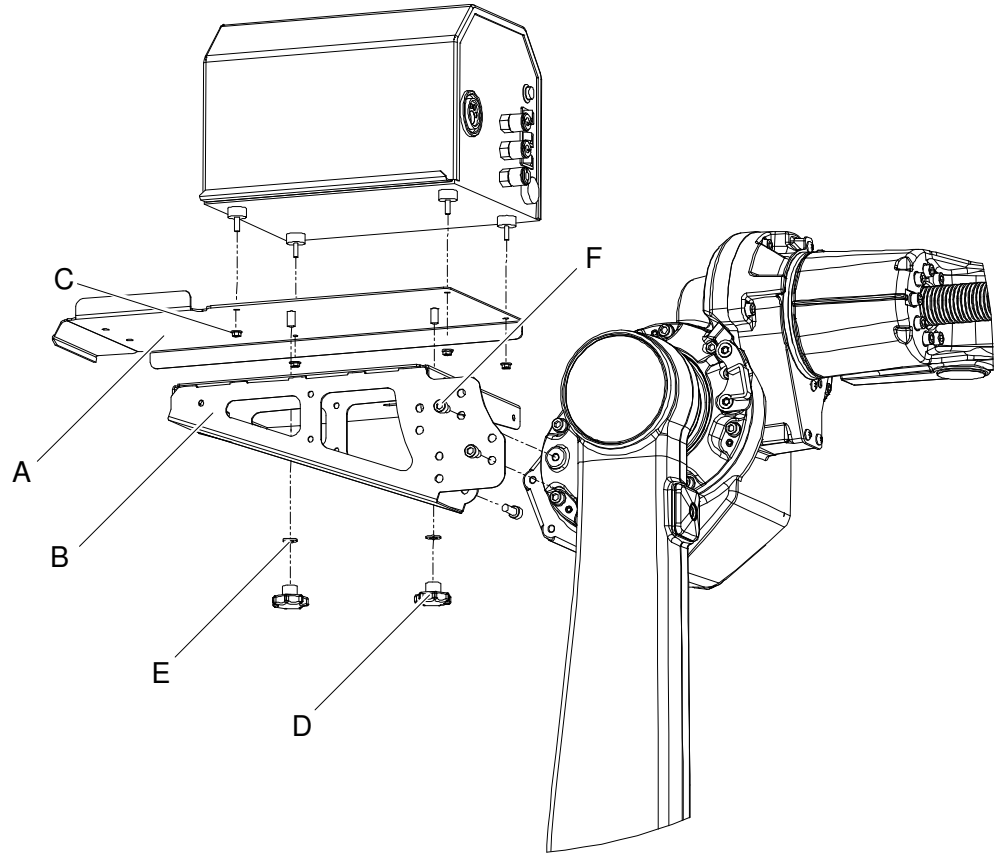
Equipment	Art. no.	Note
Standard toolkit	-	The contents of the toolkit is defined in section, Standard tools on page 383

Installation, signal lamp

	Action	Note
1	 DANGER Turn off all: <ul style="list-style-type: none">• electric power supply• hydraulic pressure supply• air pressure supply to the robot, before entering the robot working area.	
2	Remove the <i>cover from the upper arm housing</i> .	Shown in the figure Location of signal lamp on page 91 .
3	On the cover there is a mark where the lamp is to be installed. Find the mark and drill a hole with a diameter of 22.5mm.	
4	Fit the lamp and tighten the nut.	
5	In the upper arm housing find the two cables marked R3.H1 and R3.H2 and connect them with the lamp	
6	Refit the cover on the upper arm housing.	
7	The signal lamp is now ready for use and is lit in MOTORS ON mode.	

2.3.10 Installation of the wire feeder shelf for 1600ID/1660ID

Location of shelf, wire feeder



xx0700000311

A	Bracket ESAB wire feeder
B	Shelf, wire feeder
C	Hexagon nut with flange M5
D	Knob
E	Plain washer (8.4x16x1.6)
F	Hex socket head cap screw (M8x12)

Fitting the wire feeder shelf

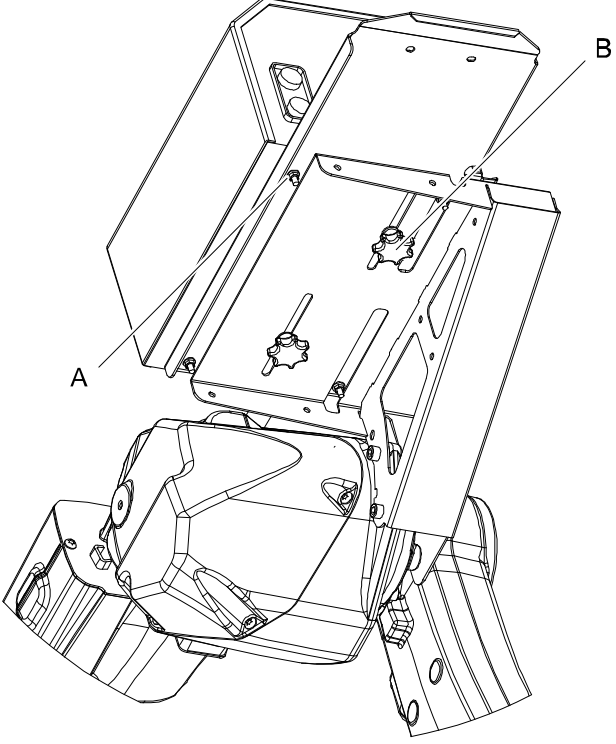
	Action	Note
1	Fit the Shelf, wire feeder (B) using the four (4) Hex socket head cap screw (F).	Shown in figure Location of shelf, wire feeder on page 93

Continues on next page

2 Installation and commissioning

2.3.10 Installation of the wire feeder shelf for 1600ID/1660ID

Continued

	Action	Note
2	Fit the bracket on the wire feeder using the four (4) Hexagon nut with flange (A).	 <p data-bbox="791 1061 898 1077">xx0700000312</p> <p data-bbox="823 1099 1174 1160">A Hexagon nut with flange M5 B Knob</p>
3	Fit the wire feeder with the mounted bracket on the Shelf, wire feeder and mount the two knobs.	

2.4 Restricting the working range

2.4.1 Axes with restricted working range

General

When installing the robot, make sure that it can move freely within its entire working space. If there is a risk that it may collide with other objects, its working space should be limited.

The working range of the following axes may be restricted:

- Axis 1, hardware (mechanical stop) and software.
- Axis 2, hardware (mechanical stop) and software.
- Axis 3, hardware (mechanical stop) and software.

This section describes how to install hardware that restricts the working range.



Note

Adjustments must also be made in the robot configuration software (system parameters). References to relevant manuals are included in the installation procedures.

2 Installation and commissioning

2.4.2 Installation of additional mechanical stops on axis 1

2.4.2 Installation of additional mechanical stops on axis 1

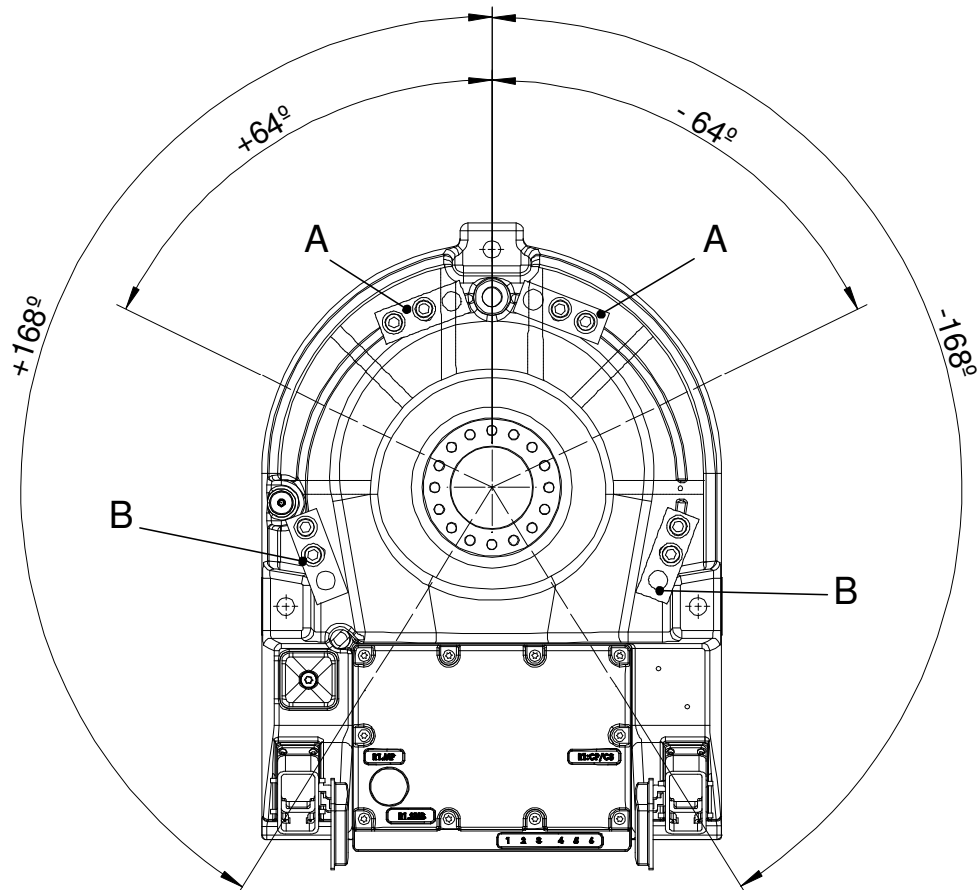
General

This section details how to install additional mechanical stops on axis 1 in order to restrict the working range of the axis.

Restrictions in working range

The working range of axis 1 can be restricted by fitting one or two additional mechanical stops on the casted groove at the base.

The figure below shows both the minimum and maximum working range of the robot, when restricted by the additional mechanical stops. The working range can be restricted freely within the shown scope, depending on where the mechanical stop is installed along the casted groove.

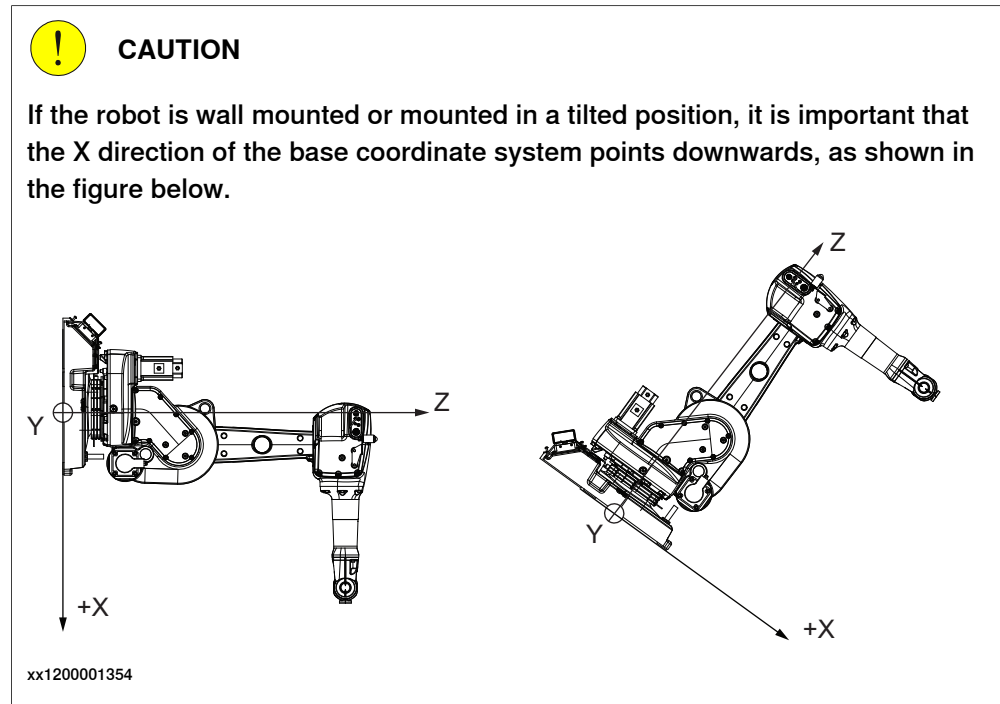


xx0400001286

A	Mounting position of two additional stops for maximum working area ($\pm 168^\circ$)
B	Mounting position of two additional stops for minimum working area ($\pm 64^\circ$)

Continues on next page

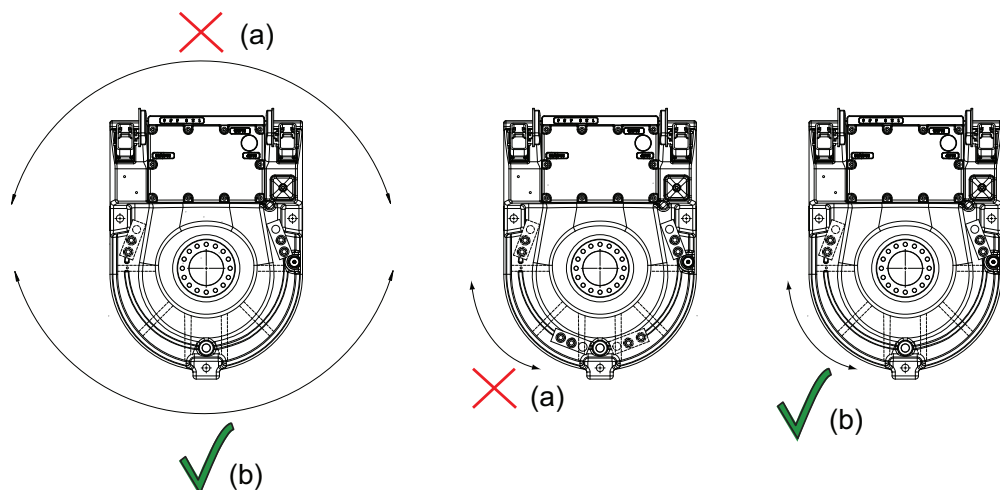
Keep X direction downwards (tilted or wall mounted robot)



Negative directions in axis 1 have extra gravity force (tilted or wall mounted robots)

If the robot is wall mounted or mounted in a tilted position, the additional mechanical stop pin restricts the robot when the axis 1 moves in a positive direction, for example from 0° and upwards to 90° (b).

The stop pin does not manage the extra gravity force that comes from when axis 1 moves in a negative direction, for example from 180° downwards to 90° (a).



(a)	The additional stop pin does not manage the extra gravity force in this restricted working area (for tilted or wall mounted robots).
(b)	The additional stop pin manages to restrict this working area (for tilted or wall mounted robots).

Continues on next page

2 Installation and commissioning

2.4.2 Installation of additional mechanical stops on axis 1

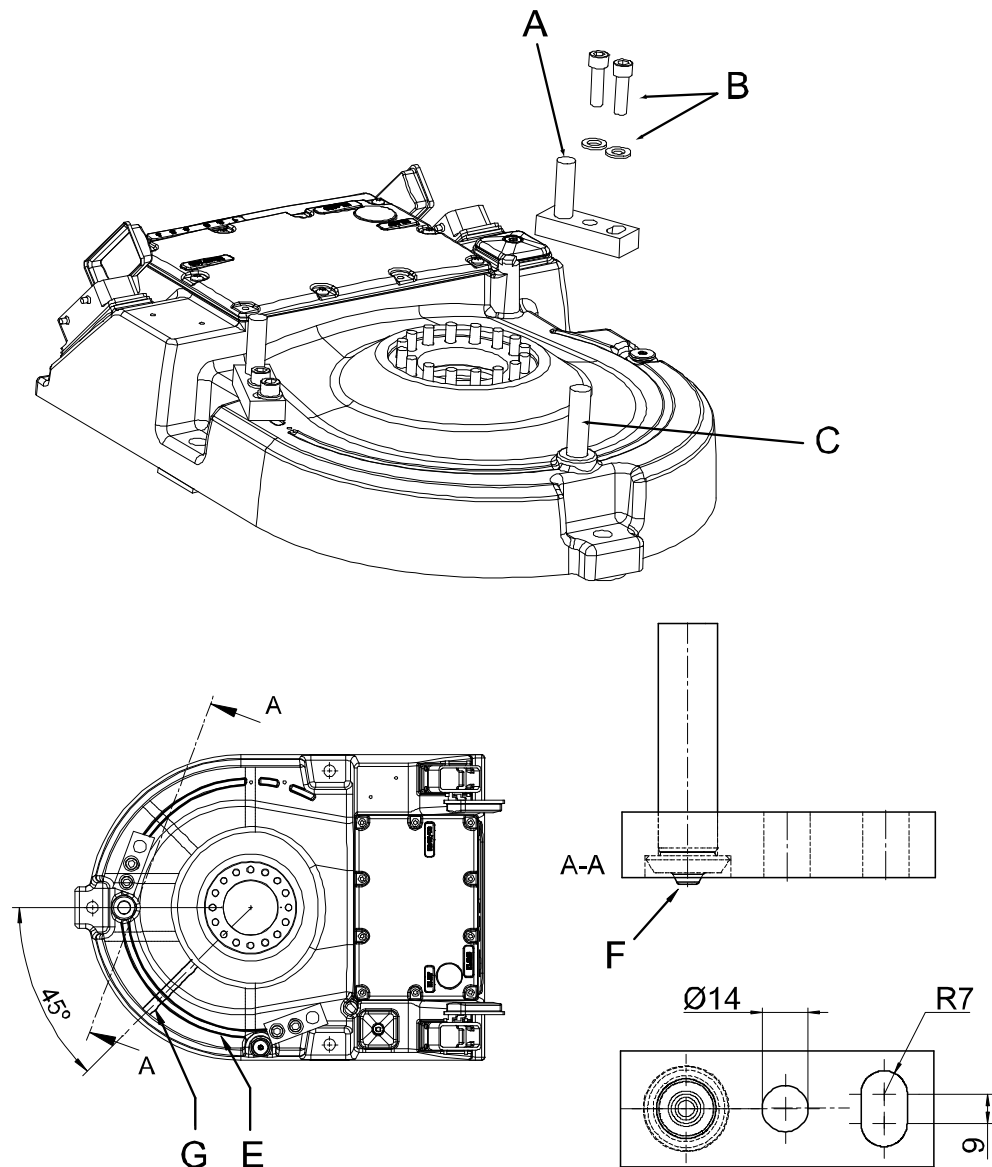
Continued

Required equipment

Equipment	Art. no.	Note
Working range limit axis 1	3HAC026119-001	Includes mechanical stops (2 pcs), attachment bolts and washers.
<i>Technical reference manual - System parameters</i>	-	Art. no. is specified in section References on page 10 .

Illustration, mechanical stop, axis 1

The additional mechanical stop of axis 1 is fitted to the base of the robot, as shown in the figure below.



xx0400001287

A	Mechanical stop, axis 1 (additional)
B	Attachment bolts and washers, mechanical stop

Continues on next page

2 Installation and commissioning


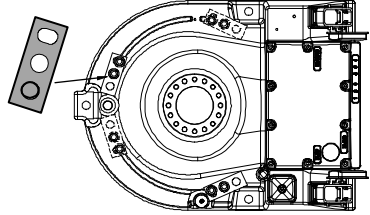
2.4.2 Installation of additional mechanical stops on axis 1

Continued

C	Stop pin (standard)
E	Casted groove
F	Guiding pin
G	Hidden stiffening ribs

Installation of mechanical stop, axis 1

The procedure below details how to install the mechanical stop to axis 1.


	Action	Note/Illustration
1	 DANGER Turn off all: <ul style="list-style-type: none"> • electric power supply • hydraulic pressure supply • air pressure supply to the robot, before entering the robot working area.	
2	Place the stop at the base, with the <i>guiding pin</i> in the casted groove. Turn the stop until the holes align with the groove. The stop can be mounted in either direction, resulting in differences in the working range.	 <p>xx0400001288</p> <p>Also see the figure <i>Illustration, mechanical stop, axis 1</i> on page 98.</p>
3	Drill two holes in the casted groove, with guidance from the circular and the elliptical hole. Drill the holes through 10.2 mm. If drilling in a stiffening rib, drill depth must be min. 30 mm.	
4	Cut the threads M12. If cutting in a stiffening rib, thread depth must be min. 23 mm.	
5	Fit the stop to the base without tightening the bolts.	
6	Turn axis 1 manually and check the working area between the stops.	How to release the holding brake of the axis motor is detailed in section <i>Manually releasing the brakes</i> on page 61.
7	Tighten the bolts.	2 pcs/stop: M12 x 40, tightening torque: 85 Nm.
8	Adjust the software working range limitations (system parameter configuration) to correspond to the mechanical limitations.	The system parameters that must be changed (<i>Upper joint bound</i> and <i>Lower joint bound</i>) are described in <i>Technical reference manual - System parameters</i> .

Continues on next page

2 Installation and commissioning

2.4.2 Installation of additional mechanical stops on axis 1

Continued

	Action	Note/Illustration
9	 WARNING If the <i>mechanical stop pin</i> is deformed after a hard collision, it must be replaced! Deformed <i>movable stops</i> and/or <i>additional stops</i> as well as deformed <i>attachment screws</i> must also be replaced after a hard collision.	

2.4.3 Installation of additional mechanical stop on axis 2

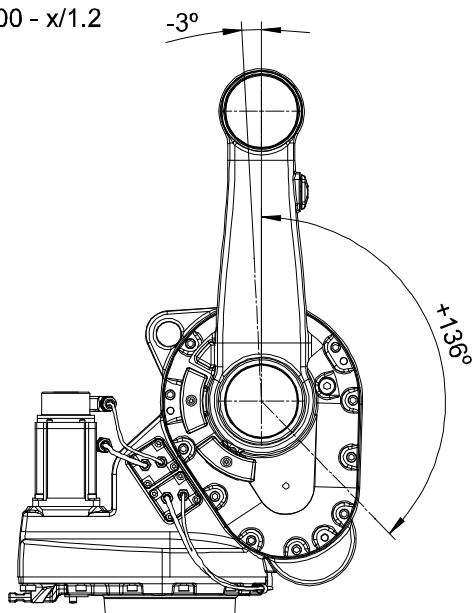
General

This section details how to install an additional mechanical stop on axis 2 in order to restrict the working range of the axis.

Restrictions in working range

The working range of axis 2 can be restricted by fitting an additional mechanical stop at the frame. The working range can only be restricted backwards, as shown in the figures below. Notice the different working ranges for the different models!

IRB 1600 - x/1.2



xx0400001289

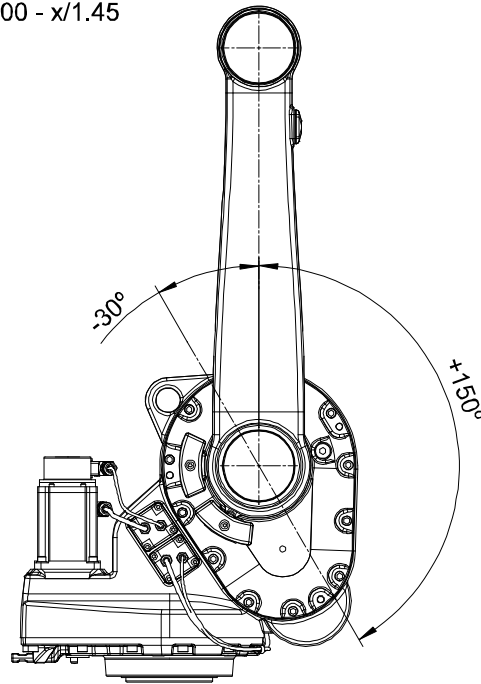
Continues on next page

2 Installation and commissioning

2.4.3 Installation of additional mechanical stop on axis 2

Continued

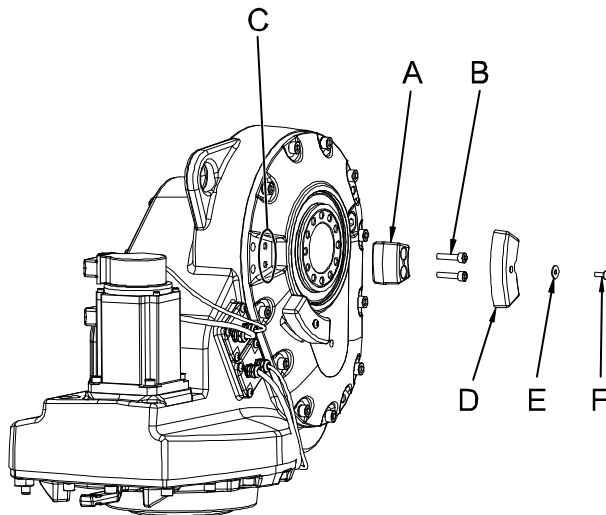
IRB 1600 - x/1.45



xx0400001290

Illustration, mechanical stop, axis 2

The additional mechanical stop for axis 2 is fitted together with a damper to the frame, as shown in the figure below.



xx0400001291

A	Mechanical stop, axis 2
B	Attachment bolts, mechanical stop (2 pcs)
C	Attachment holes, mechanical stop
D	Damper, axis 2
E	Washer
F	Attachment screw, damper

Continues on next page

2 Installation and commissioning

2.4.3 Installation of additional mechanical stop on axis 2


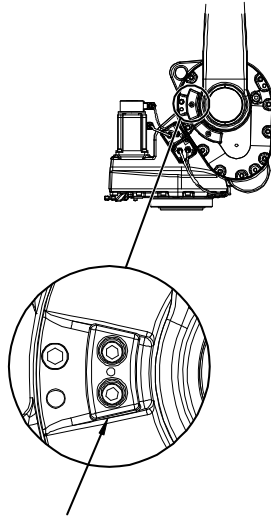
Continued

Required equipment

Equipment	Art. no.	Note
Working range limit axis 2	3HAC026120-001	Includes mechanical stop, damper and attachment bolts.
<i>Technical reference manual - System parameters</i>	-	Art. no. is specified in section References on page 10 .

Installation of mechanical stop, axis 2

The procedure below details how to install the mechanical stop to axis 2.


	Action	Note/Illustration
1	 <p>DANGER</p> <p>Turn off all:</p> <ul style="list-style-type: none"> • electric power supply • hydraulic pressure supply • air pressure supply <p>to the robot, before entering the robot working area.</p>	
2	Fit the mechanical stop to the frame, without tightening the bolts.	Attachment holes are shown in the figure Illustration, mechanical stop, axis 2 on page 102 .
3	Make sure that the stop is in contact with the lower boss on the gearbox, as the arrow shows in the figure to the right.	 <p>xx0400001292</p> <p>Note! It is important that the mechanical stop is fitted in contact with the lower boss on the gearbox!</p>
4	Tighten the attachment bolts.	2 pcs; M8 x 35, tightening torque: 25 Nm.
5	Fit the <i>damper</i> to the mechanical stop, with its attachment screw and washer. Tighten the screw.	Shown in the figure Illustration, mechanical stop, axis 2 on page 102 .
6	Adjust the software working range limitations (system parameter configuration) to correspond to the mechanical limitations.	The system parameters that must be changed (<i>Upper joint bound</i> and <i>Lower joint bound</i>) are described in <i>Technical reference manual - System parameters</i> .

Continues on next page

2 Installation and commissioning

2.4.3 Installation of additional mechanical stop on axis 2

Continued

	Action	Note/Illustration
7	 WARNING If the <i>mechanical stop pin</i> is deformed after a hard collision, it must be replaced! Deformed <i>movable stops</i> and/or <i>additional stops</i> as well as deformed <i>attachment screws</i> must also be replaced after a hard collision.	

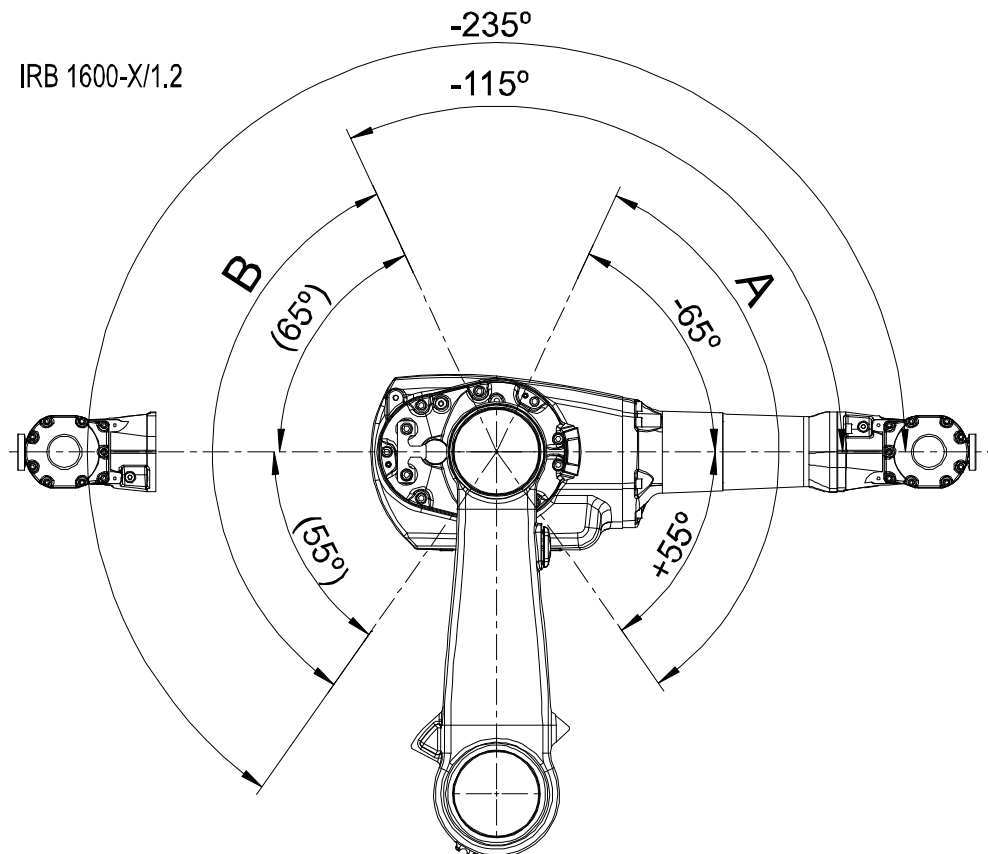
2.4.4 Installation of additional mechanical stops on axis 3

General

This section details how to install an additional mechanical stop on axis 3 in order to restrict the working range of the axis.

Restrictions in working range

The working range of axis 3 can be restricted into two different working areas, as shown in the two figures below. Notice the differences between the different models.



xx0400001283

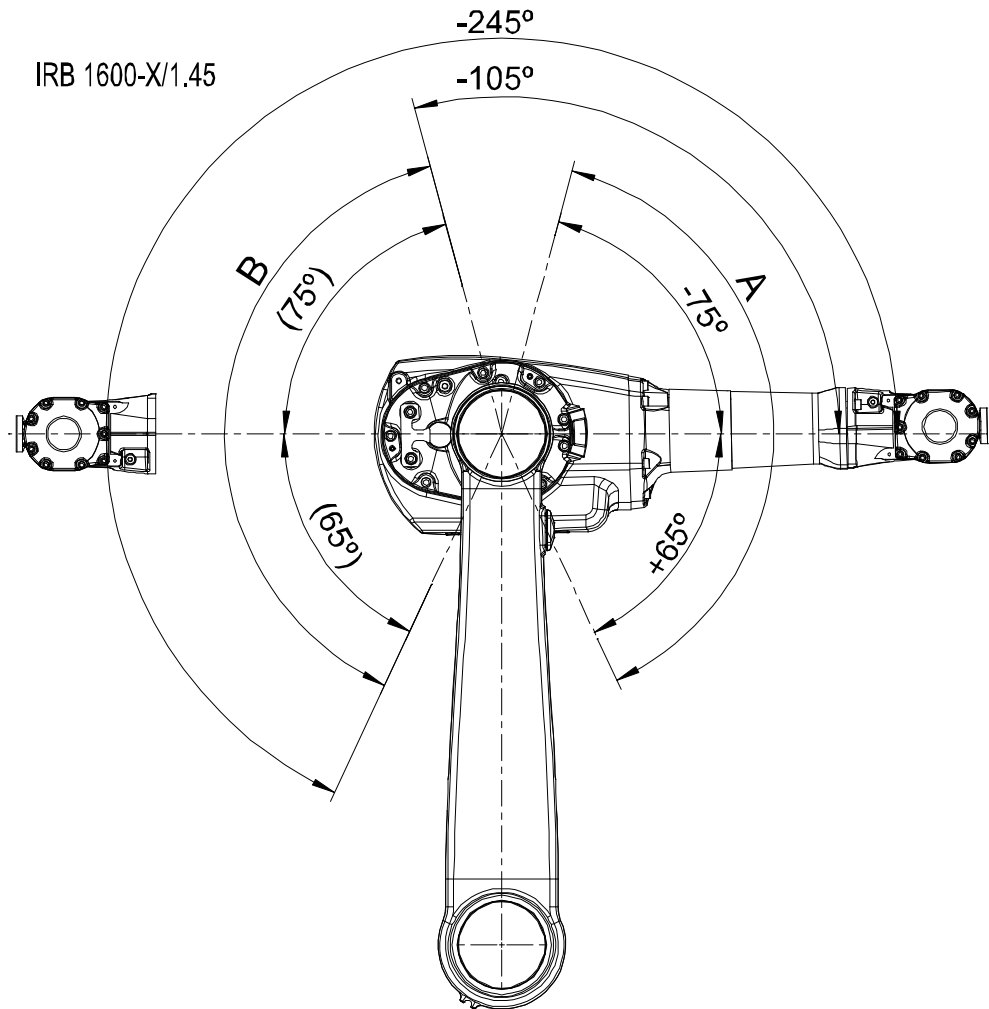
-	Robot models IRB 1600 - x/1.2
A	Working range A
B	Working range B

Continues on next page

2 Installation and commissioning

2.4.4 Installation of additional mechanical stops on axis 3

Continued



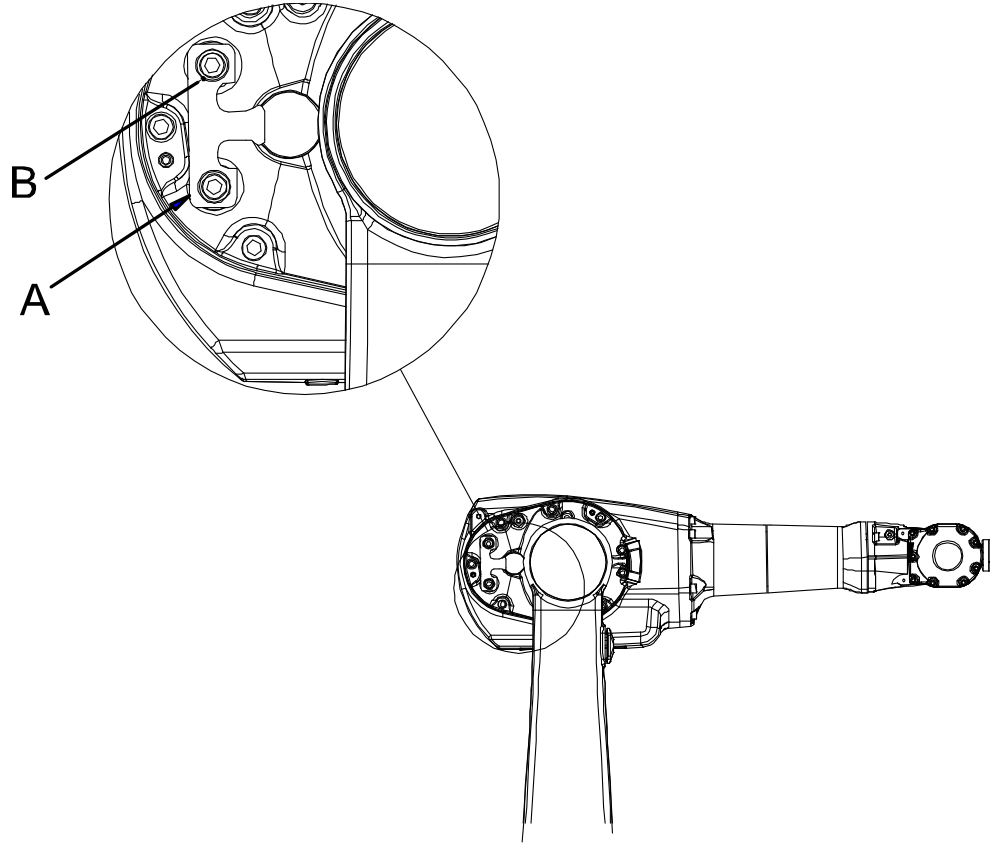
xx0400001284

-	Robot models IRB 1600 - x/1.45
A	Working range A
B	Working range B

Continues on next page

Illustration, mechanical stop, axis 3

The mechanical stop is installed at the upper arm housing, as shown in the figure below.



xx0400001285

A	Mechanical stop, axis 3
B	Attachment screws and washers (2 pcs)

Required equipment

Equipment	Art. no.	Note
Working range limit axis 3	3HAC026121-001	Includes mechanical stop, attachment screws and washers.
<i>Technical reference manual - System parameters</i>	-	Art. no. is specified in References on page 10 .

Continues on next page



2 Installation and commissioning

2.4.4 Installation of additional mechanical stops on axis 3

Continued

Installation of mechanical stop, axis 3

The procedure below details how to install the mechanical stop to axis 3.

	Action	Note
1	 DANGER Turn off all: <ul style="list-style-type: none">• electric power supply• hydraulic pressure supply• air pressure supply to the robot, before entering the robot working area.	
2	Fit the mechanical stop to the two mounting holes at the upper arm housing, with the two attachment screws and washers. Tighten the screws.	See Illustration, mechanical stop, axis 3 on page 107 . 2 pcs: M8 x 25, tightening torque: 25 Nm.
3	Adjust the software working range limitations (system parameter configuration) to correspond to the mechanical limitations.	The system parameters that must be changed (<i>Upper joint bound</i> and <i>Lower joint bound</i>) are described in <i>Technical reference manual - System parameters</i> .
4	 WARNING If the <i>mechanical stop pin</i> is deformed after a hard collision, it must be replaced! Deformed <i>movable stops</i> and/or <i>additional stops</i> as well as deformed <i>attachment screws</i> must also be replaced after a hard collision.	

2.5 Electrical connections

2.5.1 Customer connectors on the robot

General

Customer connections are options, the cables for them are integrated in the robot and the connectors are placed on the upper arm housing.

The customer connections are:

- The standard connections for signals, power and air.
- The integrated wire feed cabling for signals and power.
- The 7-axis connection.

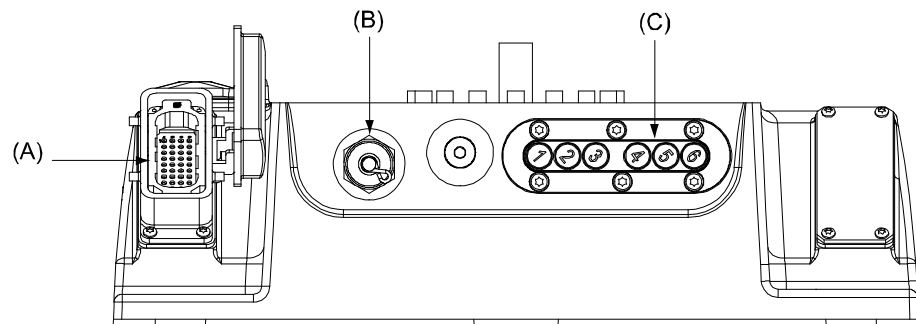


Note

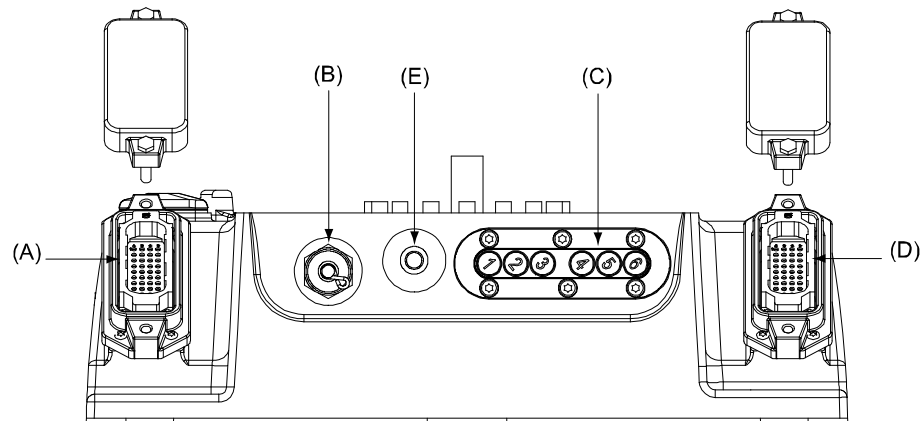
No customer/application connections are available for IRB 1660ID.

Connections at robot base

The graphics below show the customer connections on the robot base. For description of all connection types see [Connection table on page 110](#).



xx100000918



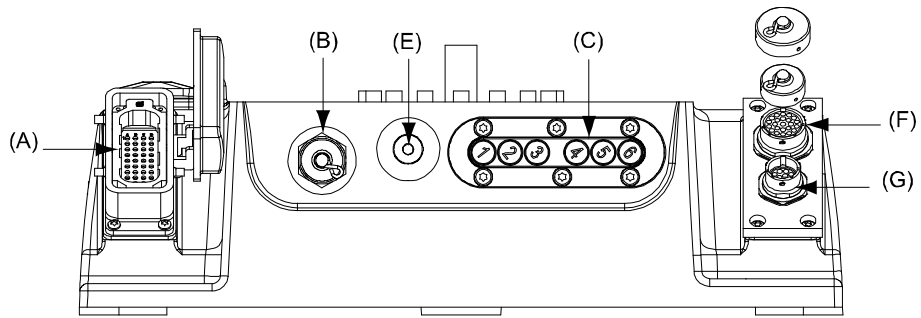
xx100000919

Continues on next page

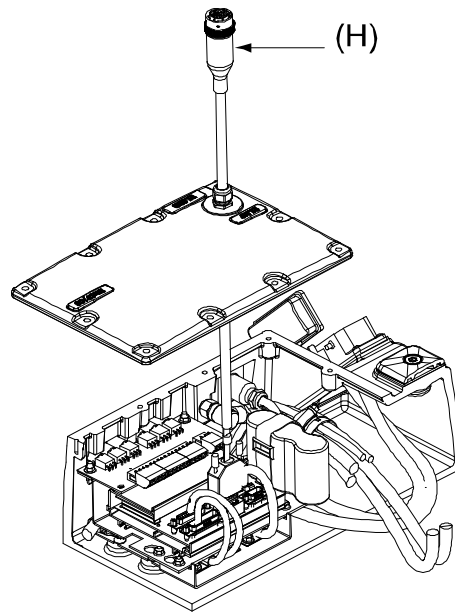
2 Installation and commissioning

2.5.1 Customer connectors on the robot

Continued



xx100000920



xx100000921

Connection table

Pos	Connection type	Description
A	R1.MP	Motor power
B	R1.SMB	Serial measurement board signal
C	-	Robot axes brake release buttons
D	R.1 CP/CS	Standard customer power and customer signal
E	R.1Air	Standard air
F	R1.CS	Customer signal for integrated wirefeed interface
G	R1.CP	Customer power for integrated wirefeed interface
H	R1.FB7	Axis 7 connection, 1.5 m cable

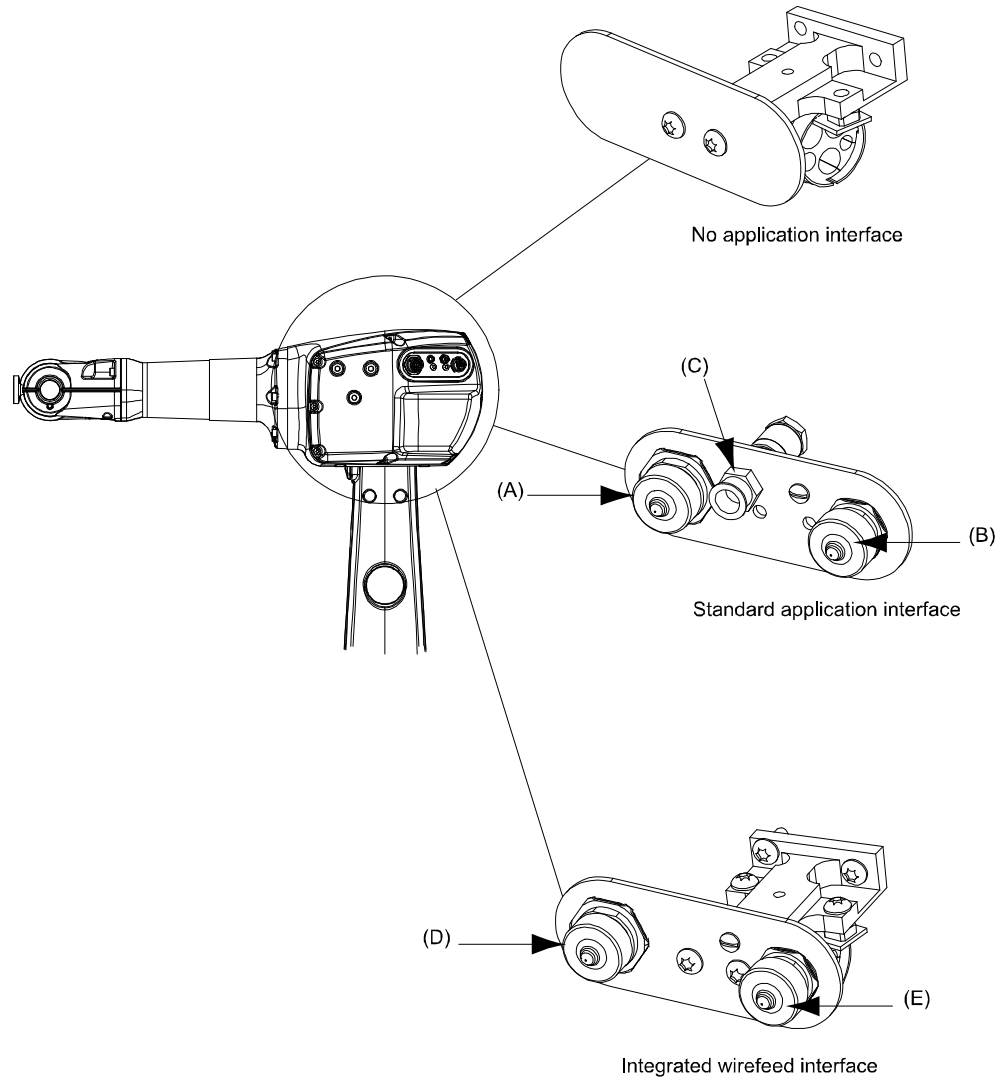
Continues on next page

2 Installation and commissioning

2.5.1 Customer connectors on the robot

Continued

Connections on upper arm



xx100000922

Pos	Connection type	Description
A	R2.CP	Standard customer power
B	R2.CS	Standard customer signal
C	R2.Air	Standard air
D	R2.CP	Customer power for integrated wirefeed interface
E	R2.CS	Customer signal for integrated wirefeed interface

2 Installation and commissioning

2.5.2 Robot cabling and connection points

2.5.2 Robot cabling and connection points

Introduction

Connect the robot and controller to each other after securing them to the foundation. The lists below specify which cables to use for each respective application.



CAUTION

Connect the male and female connectors perfectly aligned horizontally to avoid any kind of tilt or skew.



CAUTION

Verify that the robot serial number is according to the number(s) in the *Declaration of Incorporation (DoI)*.

Main cable categories

All cables between the robot and controller are divided into the following categories:

Cable category	Description
Robot cables	Handles power supply to and control of the robot's motors as well as feedback from the serial measurement board. Specified in the table Robot cables on page 112 .
Customer cables (option)	Handles communication with equipment fitted on the robot by the customer, low voltage signals and high voltage power supply + protective ground. See the product manual for the controller, see document number in References on page 10 . Also specified in the table Customer cables (option) on page 114 .
External axes cables (option)	Handles power supply to and control of the external axes' motors as well as feedback from the servo system. See <i>Application manual - Additional axes and stand alone controller</i> , document number in References on page 10 .

Robot cables

These cables are included in the standard delivery. They are completely pre-manufactured and ready to plug in.

Cable sub-category	Description	Connection point, cabinet	Connection point, robot
Robot cable, power	Transfers drive power from the drive units in the control cabinet to the robot motors.	XS1 (OmniCore controllers)	R1.MP
Robot cable, signals	Transfers resolver data from and power supply to the serial measurement board.	XS2 (OmniCore controllers)	R1.SMB

Continues on next page

2 Installation and commissioning

2.5.2 Robot cabling and connection points

Continued

Robot cable, power, for robots with standard protection in version A

Cable (standard in version A) ⁱ	Art. no.
Robot cable, power: 7 m	3HAC2492-1
Robot cable, power: 15 m	3HAC2529-1
Robot cable, power: 22 m	3HAC2539-1
Robot cable, power: 30 m	3HAC2564-1

ⁱ IRB 1600/1660ID in standard protection has two versions, A and B. For details about the robot version, see [Version A and version B of IRB 1600/1660ID on page 373](#).

Robot cable, power, for robots with standard protection in version B and with foundry and wash protection

Cable (standard in version B, foundry and wash) ⁱ	Art. no.
Robot cable, power: 7 m	3HAC9038-1
Robot cable, power: 15 m	3HAC9038-2
Robot cable, power: 22 m	3HAC9038-3
Robot cable, power: 30 m	3HAC9038-4

ⁱ IRB 1600/1660ID in standard protection has two versions, A and B. For details about the robot version, see [Version A and version B of IRB 1600/1660ID on page 373](#).

Robot cable, signals

Cable	Art. no.
Robot cable signal, shielded: 7 m	3HAC068917-001
Robot cable signal, shielded: 15 m	3HAC068918-001
Robot cable signal, shielded: 22 m	3HAC068919-001
Robot cable signal, shielded: 30 m	3HAC068920-001

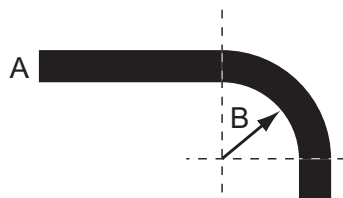


Tip

In case duplicate CP/CS harnesses are included on delivery, one can be saved as a spare part.

Bending radius for static floor cables

The minimum bending radius is 10 times the cable diameter for static floor cables.



xx1600002016

A	Diameter
B	Diameter x10

Continues on next page

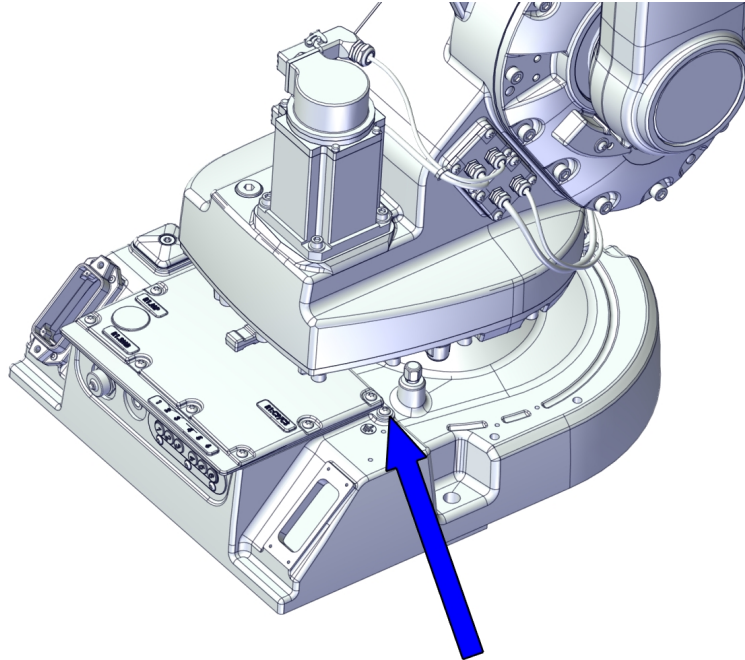
2 Installation and commissioning

2.5.2 Robot cabling and connection points

Continued

Grounding and bonding point on manipulator

There is a grounding/bonding point on the manipulator base. The grounding/bonding point is used for potential equalizing between control cabinet, manipulator and any peripheral devices.



xx170000097

Customer cables (option)

The customer cables specified below are connected between robot and controller. The customer cables are ordered according to current protection class of the robot.

Customer cables for robots with standard protection

Cable (standard)	Art. no.	Connection point, robot
Customer cable, power-signal, 7 m	3HAC3353-1	R1.CP/CS
Customer cable, power-signal, 15 m	3HAC3354-1	R1.CP/CS
Customer cable, power-signal, 22 m	3HAC3355-1	R1.CP/CS
Customer cable, power-signal, 30 m	3HAC3356-1	R1.CP/CS

Customer cables for robots with foundry and wash protection

Cable (Foundry, Wash)	Art. no.	Connection point, robot
Customer cable, power-signal, 7 m	3HAC8183-1	R1.CP/CS
Customer cable, power-signal, 15 m	3HAC8183-2	R1.CP/CS
Customer cable, power-signal, 22 m	3HAC8183-3	R1.CP/CS
Customer cable, power-signal, 30 m	3HAC8183-4	R1.CP/CS

2.5.3 Customer connections on the robot

General

For connection of equipment on the robot, there are cables integrated into the robot cabling. This section specifies recommendations for the customer connections.

The air and electrical connectors are shown in the figure [Customer connectors on the robot on page 109](#).



Note

The maximum leakage current for attached equipment must not exceed 10mA.

Air connection

Connection	Dimension
Air inlet (at the base)	
Air outlet (at the upper arm housing)	1/4"

The integrated air hose is sized as specified in the table below.

Inner diameter	Max. pressure
8 mm	0.8 MPa / 115 psi

Customer connectors R2.CS and R2.CP

The customer connectors R2.CS and R2.CP can be used with either:

- a connector set from ABB for standard connection
- specified connector components from Souriau, or
- connectors that meet Military standard MIL-C-26482 series 1.

These connectors are further detailed in following sections.

Connector set from ABB for standard connection

Equipment	ABB art. no.	Note
Connection set R2.CP/R2.CS	3HAC025396-001	Only for standard connection.

Continues on next page

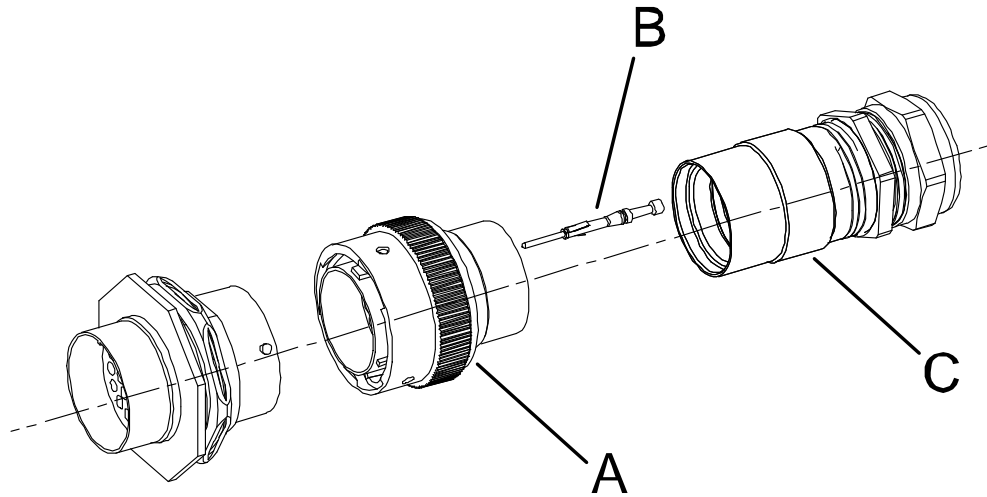
2 Installation and commissioning

2.5.3 Customer connections on the robot

Continued

Specified connector components from Souriau

The components specified below are from connector manufacturer Souriau and can be used for connection to R2.CS and R2.CP.



xx0400001339

A	Pin connector
B	Pin
C	Backshell

Recommended pin connectors

Pin connector	Souriau art. no.
Pin connector, standard connection, CS (Customer Signal)	UT0W6 1626 P-H
Pin connector, standard connection, CP (Customer Power)	UT0W6 1210 P-H
Pin connector, integrated wirefeeder cabling, CS	UT0W6 1626 P-H
Pin connector, Integrated wirefeeder cabling, CP	UT06 1412 P-H04

Recommended pins (turned)

Turned pins for cable area...	Pin diameter	Souriau art. no.
0.21 - 0.93 mm ² (standard connection, CP/CS and integrated wirefeeder cabling, CS)	1 mm	RM18W3K
0.13 - 0.25 mm ² (integrated wirefeeder cabling, CP)	1.6 mm	RM24M9K
0.25 - 0.5 mm ² (integrated wirefeeder cabling, CP)	1.6 mm	RM20M12K
0.5 - 1.5 mm ² (integrated wirefeeder cabling, CP)	1.6 mm	RM16M23K

Recommended backshell

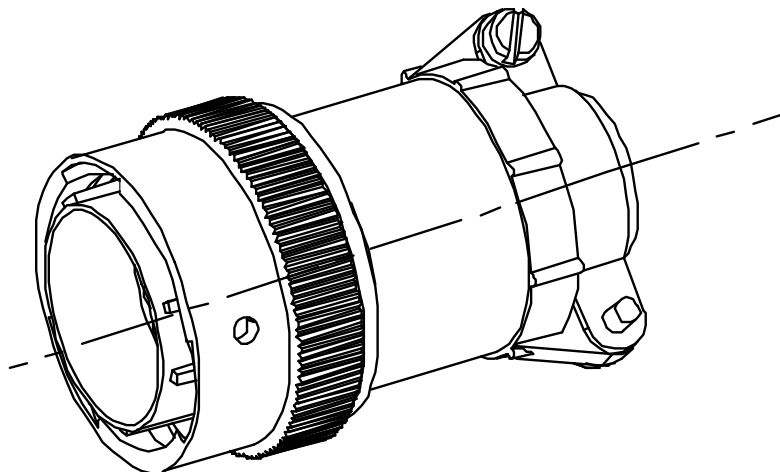
Backshell	Souriau art. no.
Backshell, standard connection, CS	UT0 16JC
Backshell, standard connection, CP	UT0 12JC
Backshell, integrated wirefeeder cabling, CS	UT0 16JC
Backshell, integrated wirefeeder cabling, CP	UT0 14JC

Continues on next page

Connectors that meet Military standard

The connectors specified below meet Military standard MIL-C-26482 series 1 and can be used for connection to R2.CS and R2.CP (only for standard customer connection).

The figure below shows a complete connector, including pin connector and backshell.



xx0400001340

Connector for crimping

The complete pin connectors for crimping include pin connector and backshell.

Connector for crimping	Military standard MIL-C-26482
Complete pin connector, CS	MS3126*1626S
Complete pin connector, CP	MS3126*1210S
Turned pin 0.2 - 0.5 mm ²	M39029/31-240
Turned pin 0.5 - 1.5 mm ²	M29029/31-228

Connector for soldering

The complete pin connectors for soldering include pin connector, backshell and pins.

Connector for soldering	Military standard MIL-C-26482
Complete pin connector, CS	MS3116*1626S
Complete pin connector, CP	MS3116*1210S

2 Installation and commissioning

2.6 Start of robot in cold environments

2.6 Start of robot in cold environments

Introduction

This section describes how to start the robot in a cold environment if it is not starting the normal way.

Problems with starting the robot

Event message from Motion Supervision

Use this procedure if an event message indicates a problem with Motion supervision at start-up. More information about Motion Supervision is found in *Technical reference manual - System parameters*.

	Action	Note
1	Turn off Motion Supervision.	
2	Start the robot.	
3	When the robot has reached normal working temperature, the Motion Supervision can be turned on again.	

Robot stopping with other event message

Use this procedure if the robot is not starting.

	Action	Note
1	Start the robot with its normal program but with reduced speed.	The speed can be regulated with the RAPID instruction <code>VelSet</code> .

Adjusting the speed and acceleration during warm-up

Depending on how cold the environment is and what program is being used, the speed might need to be ramped up until reached maximum. The table shows examples of how to adjust the speed:

Work cycles	AccSet	Speed/velocity
3 Work cycles	20, 20	v100 (100 mm/s)
5 Work cycles	40, 40	v400 (400 mm/s)
5 Work cycles	60, 60	v600 (600 mm/s)
5 Work cycles	100, 100	v1000 (1000 mm/s)
More than 5 Work cycles	100, 100	Max.

If the program consists of large wrist movements, it is possible that the reorientation velocity, which is always high in predefined velocities, needs to be included in the ramping up.

2.7 Test run after installation, maintenance, or repair

Safe handling

Use the following procedure after installation, maintenance, or repair, before initiating motion.



DANGER

Initiating motion without fulfilling the following aspects, may increase the risk for injury or cause damage to the robot.

	Action
1	Remove all tools and foreign objects from the robot and its working area.
2	Verify that the robot is properly secured to its position by all screws, before it is powered up.
3	Verify that any safety equipment installed to secure the position or restrict the robot motion during service activity is removed.
4	Verify that the fixture and work piece are well secured, if applicable.
5	Verify that all safety equipment is installed, as designed for the application.
6	Verify that no personnel are inside the safeguarded space.
7	If maintenance or repair has been done, verify the function of the part that was maintained.
8	Verify the application in the operating mode manual reduced speed.

Collision risks



CAUTION

When programming the movements of the robot, always identify potential collision risks before initiating motion.

This page is intentionally left blank

3 Maintenance

3.1 Introduction

Structure of this chapter

This chapter describes all the maintenance activities recommended for the IRB 1600/1660ID.

It is based on the maintenance schedule found at the beginning of the chapter. The schedule contains information about required maintenance activities including intervals, and refers to procedures for the activities.

Each procedure contains all the information required to perform the activity, including required tools and materials.

The procedures are gathered in different sections and divided according to the maintenance activity.

Safety information

Observe all safety information before conducting any service work.

There are general safety aspects that must be read through, as well as more specific safety information that describes the danger and safety risks when performing the procedures. Read the chapter [Safety on page 21](#) before performing any service work.

The maintenance must be done by qualified personnel in accordance with the safety requirements set forth in the applicable national and regional standards and regulations.



Note

If the IRB 1600/1660ID is connected to power, always make sure that the IRB 1600/1660ID is connected to protective earth and a residual current device (RCD) before starting any maintenance work.

For more information see:

- *Product manual - IRC5*
- *Product manual - IRC5 Compact*
- *Product manual - IRC5 Panel Mounted Controller*
- [Robot cabling and connection points on page 112.](#)

3 Maintenance

3.2.1 Specification of maintenance intervals

3.2 Maintenance schedule and expected component life

3.2.1 Specification of maintenance intervals

Introduction

The intervals are specified in different ways depending on the type of maintenance activity to be carried out and the working conditions of the IRB 1600/1660ID:

- Calendar time: specified in months regardless of whether the system is running or not.
- Operating time: specified in operating hours. More frequent running means more frequent maintenance activities.
- SIS: specified by the robot's SIS (Service Information System). A typical value is given for a typical work cycle, but the value will differ depending on how hard each part is run.

The SIS used in M2004 is further described in the *Operating manual - Service Information System*.

Robots with the functionality *Service Information System* activated can show active counters in the device browser in RobotStudio, or on the FlexPendant.

3.2.2 Maintenance schedule

General

The robot must be maintained regularly to ensure proper function. The maintenance activities and intervals are specified in the table below.

Unexpected situations that arise prompt inspection of the robot. Any damage must be attended to immediately!

The inspection intervals *do not* specify the life of each component.

Maintenance schedule

The table below specifies the required maintenance activities and intervals:

Maintenance activity	Equipment	Interval	Detailed in section
Maintenance free	Gearbox oil, axes 1 to 4 IRB 1600	40,000 hrs	
Inspection	Information labels	12 months	Replace any damaged, missing or unreadable labels. Inspecting information labels on page 128
Changing	Gearbox oil, axes 5 and 6 IRB 1600	20,000 hrs	Changing the oil in axes 5 and 6 gearboxes on page 131.
Changing	Gearbox oil, axes 5-6 IRB 1600ID-4/1.5	20,000 hrs	Changing the oil in axis 5-6 gearbox, IRB 1600ID/1660ID on page 134
Changing	Gearbox oil, axes 5-6 IRB 1660ID-X/1.55	20,000 hrs	Changing the oil in axis 5-6 gearbox, IRB 1600ID/1660ID on page 134
Replacement	Battery pack, measurement system of type RMU101 or RMU102 (3-pole battery contact)	36 months or battery low alert ⁱ	Replacing the battery pack on page 137
Replacement	Battery pack, measurement system with 2-pole battery contact, e.g. DSQC633A	Battery low alert ⁱⁱ	Replacing the battery pack on page 137.
Cleaning	Complete robot	Regular ⁱⁱⁱ	Cleaning the IRB 1600/1660ID on page 142

ⁱ The battery low alert (38213 **Battery charge low**) is displayed when the battery needs to be replaced. The recommendation to avoid an unsynchronized robot is to keep the power to the controller turned on until the battery is to be replaced.

See the replacement instruction for more details.

ⁱⁱ The battery low alert (38213 **Battery charge low**) is displayed when remaining backup capacity (robot powered off) is less than 2 months. The typical lifetime of a new battery is 36 months if the robot is powered off 2 days/week or 18 months if the robot is powered off 16 h/day. The lifetime can be extended with a battery shutdown service routine. See *Operating manual - IRC5 with FlexPendant* for instructions.

ⁱⁱⁱ A regular interval implies that the activity is to be performed regularly, but the actual interval may not be specified by the robot manufacturer. The interval depends on the operation cycle of the robot, its working environment and movement pattern. Generally, the more contaminated environment, the closer the intervals. The more demanding movement pattern (sharper bending cable harness), the closer the intervals.

3 Maintenance

3.2.3 Expected component life

3.2.3 Expected component life

General

The life of any component depends on how hard it is run, and it can vary greatly.

Expected component life

Component	Expected life	Note
Robot cable harness IRB 1600	2,000,000 cycles	See note ⁱ
Robot cable harness IRB 1600ID-4/1.5	2,000,000 cycles	See note ⁱ
Robot cable harness IRB 1660ID-X/1.55	2,000,000 cycles	See note ⁱ
Cabling for position switch	2,000,000 cycles	See note ⁱ
Gearbox	40,000 hrs	

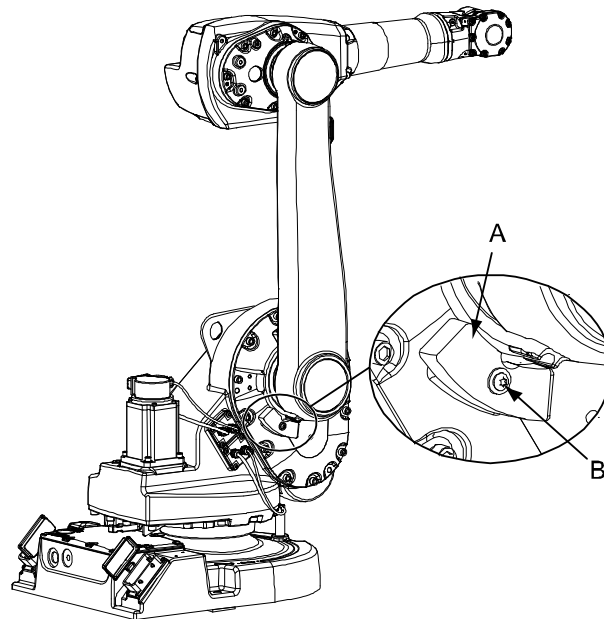
ⁱ The expected life can also be affected by grouping harnesses/cables other than standard options. The life expectancy is based on a test cycle that for every axis goes from the calibration position to minimum angle, to maximum angle and back to the calibration position. Deviations from this test cycle will result in differences in expected life!

3.3 Inspection activities

3.3.1 Inspection, damper axes 2, 3 and 5

Location of dampers

The figure below shows the location of all the dampers to be inspected.



xx0400001217

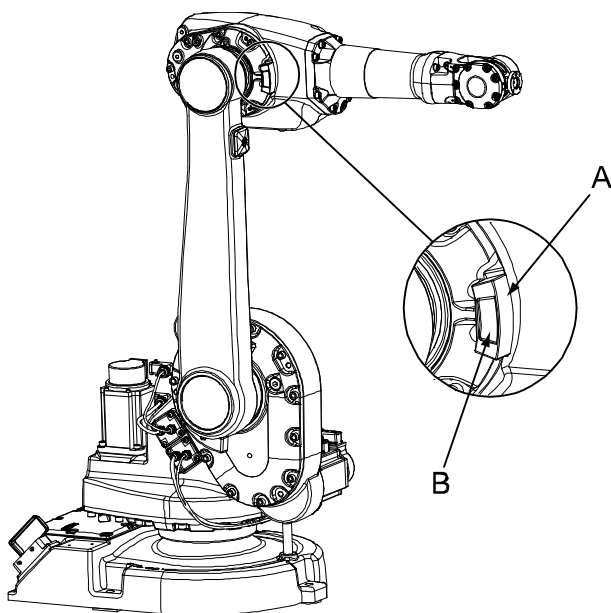
A	Damper, axis 2
B	Attachment screw

Continues on next page

3 Maintenance

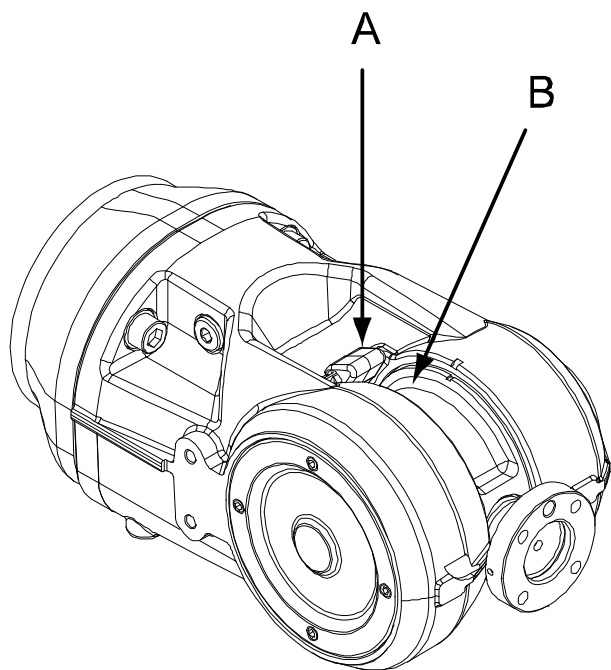
3.3.1 Inspection, damper axes 2, 3 and 5

Continued



xx0400001215

A	Damper, axis 3
B	Cast tab



xx0600002806

A	Damper, axis 5
B	Recess

Continues on next page

Required equipment

Equipment	Art. no.	Note
Standard toolkit	-	Content is defined in section Standard tools on page 383 .



CAUTION

Always cut the paint with a knife and grind the paint edge when disassembling parts. See [Cut the paint or surface on the robot before replacing parts on page 152](#).

Inspection, dampers

The procedure below details how to inspect the dampers.

	Action	Note
1	DANGER Turn off all: <ul style="list-style-type: none"> • electric power supply • hydraulic pressure supply • air pressure supply to the robot, before entering the robot working area.	
2	Check all <i>dampers</i> for damage, such as cracks or existing impressions that are larger than 1 mm.	Shown in the figure Location of dampers on page 125 .
3	Check attachment screws for deformation.	
4	If any damage is detected, the damper must be replaced with a new one!	Replacement is detailed in sections: <ul style="list-style-type: none"> • Replacing the damper, axis 2 on page 213 • Replacing the damper, axis 3 on page 215 • Replacement of damper, axis 5 on page 219.

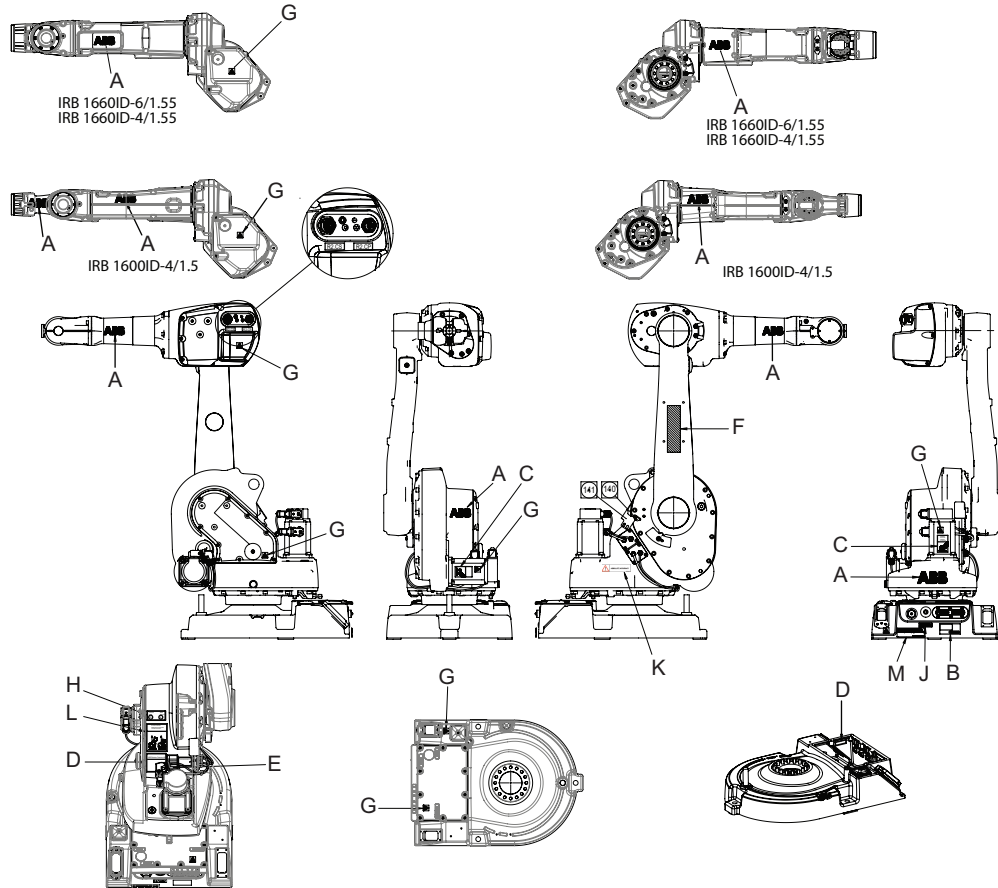
3 Maintenance

3.3.2 Inspecting information labels

3.3.2 Inspecting information labels

Location of information labels

The figure shows the location of the information labels to be inspected.



xx1800001187

A	ABB logotype
B	Warning label - Brake release
C	Warning label - heat (2 pcs)
D	Rating label
E	Calibration label
F	Foundry Plus or CleanRoom logotype, if applicable.
G	Warning label - Electricity (symbol of flash) (6 pcs)
H	UL label
J	Label - Max. air pressure
K	Information sign - AbsAcc
L	Lifting instruction label
M	Oil label


Continues on next page

Required equipment

Equipment	Spare part number	Note
Labels	See Spare part lists on page 387 .	

Inspecting labels

Use this procedure to inspect the labels on the robot.

	Action	Note
1	 DANGER Turn off all: <ul style="list-style-type: none"> • electric power supply • hydraulic pressure supply • air pressure supply to the robot, before entering the robot working area.	
2	Check all labels.	See the figure in Location of information labels on page 128 .
3	Replace any missing or damaged labels.	

3 Maintenance

3.4.1 Type of lubrication in gearboxes

3.4 Replacement activities

3.4.1 Type of lubrication in gearboxes

Introduction

This section describes where to find information about the type of lubrication, article number and the amount of lubrication in the specific gearbox. It also describes the equipment needed when working with lubrication.

Type and amount of oil in gearboxes

Information about the type of lubrication, article number as well as the amount in the specific gearbox can be found in *Technical reference manual - Lubrication in gearboxes* available for registered users on myABB Business Portal, www.abb.com/myABB.

Location of gearboxes

The figure shows the location of the gearboxes.

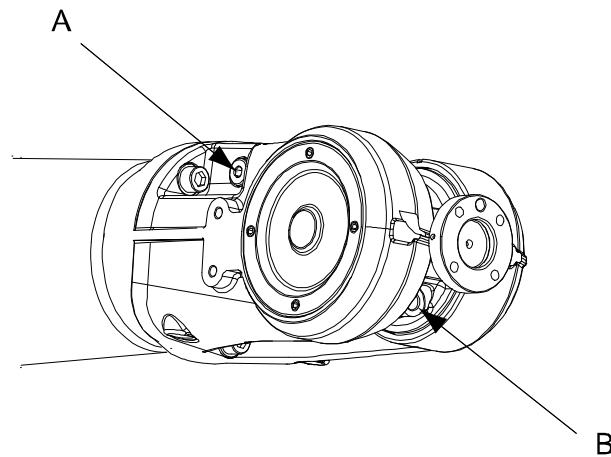
Equipment

Equipment	Note
Oil dispenser	Includes pump with outlet pipe. Use the suggested dispenser or a similar one: <ul style="list-style-type: none">• Orion OriCan article number 22590 (pneumatic)
Nipple for quick connect fitting, with o-ring	

3.4.2 Changing the oil in axes 5 and 6 gearboxes

Location of oil plugs

The gearboxes for axes 5 and 6 are located in the wrist unit as shown in the figure below.



xx0600002846

A	Oil plug, draining and filling
B	Oil plug, vent hole

Required equipment

Equipment, etc.	Note
Lubricating oil	Information about the oil is found in <i>Technical reference manual - Lubrication in gearboxes</i> . See Type and amount of oil in gearboxes on page 130 .
Oil collecting vessel	The capacity of the vessel must be sufficient to take the complete amount of oil.
Standard toolkit	Content is defined in section Standard tools on page 383 .
Other tools and procedures may be required. See references to these procedures in the step-by-step instructions below.	These procedures include references to the tools required.



CAUTION

Always cut the paint with a knife and grind the paint edge when disassembling parts. See [Cut the paint or surface on the robot before replacing parts on page 152](#).

Continues on next page



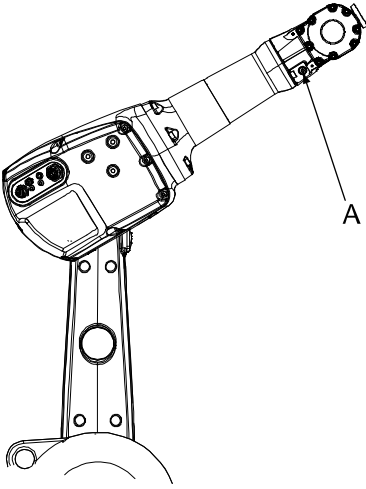
3 Maintenance

3.4.2 Changing the oil in axes 5 and 6 gearboxes

Continued

Draining, wrist unit



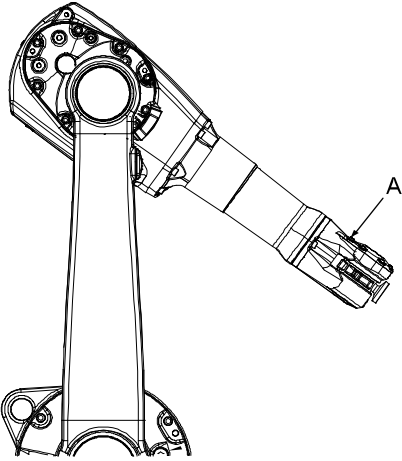
The procedure below details how to drain oil from the gearboxes in the wrist unit.

	Action	Note/Illustration
1	 <p>DANGER</p> <p>Turn off all:</p> <ul style="list-style-type: none"> • electric power supply • hydraulic pressure supply • air pressure supply <p>to the robot, before entering the robot working area.</p>	
2	 <p>WARNING</p> <p>Handling gearbox oil involves several safety risks, see Gearbox lubricants (oil or grease) on page 36.</p>	
3	<p>Position the robot as shown in the figure to the right:</p> <ul style="list-style-type: none"> • upper arm: upwards for a standing robot • axis 4: 180°, to a position where the oil plug (A), faces downwards. <p>Note! The total amount of oil will not be drained. There will remain approximately 50 ml in the wrist unit.</p>	<p>The capacity of the vessel must be sufficient to take the complete amount of oil.</p>  <p>xx0500001434</p> <p>A Oil plug, draining and filling The position for an <i>inverted robot</i> is the opposite!</p>
4	<p>Remove the both <i>oil plugs</i>. Both oil plugs must be removed in order to drain the wrist unit properly.</p>	<p>Shown in the figure Location of oil plugs on page 131.</p>
5	<p>Refit the oil plug, vent hole.</p>	

Continues on next page

Filling oil, wrist unit

The procedure below details how to fill oil in the gearboxes in the wrist unit.

	Action	Note/Illustration
1	 <p>DANGER</p> <p>Turn off all:</p> <ul style="list-style-type: none"> • electric power supply • hydraulic pressure supply • air pressure supply <p>to the robot, before entering the robot working area.</p>	
2	 <p>WARNING</p> <p>Handling gearbox oil involves several safety risks, see Gearbox lubricants (oil or grease) on page 36.</p>	
3	Remove the <i>oil plug, draining and filling</i> .	Shown in the figure Location of oil plugs on page 131 !
4	<p>Position the robot as shown in the figure to the right:</p> <ul style="list-style-type: none"> • upper arm: downwards for a standing robot • axis 4: 90°, to a position where the oil plug (A), faces upwards. <p>Fill oil in the wrist unit through the oil plug.</p>	<p>Where to find type of oil and total amount is detailed in Type and amount of oil in gearboxes on page 130.</p>  <p>xx0500001435</p> <ul style="list-style-type: none"> • A: Oil plug, draining and filling <p>The position for an <i>inverted robot</i> is the opposite.</p>
5	Refit the oil plug.	

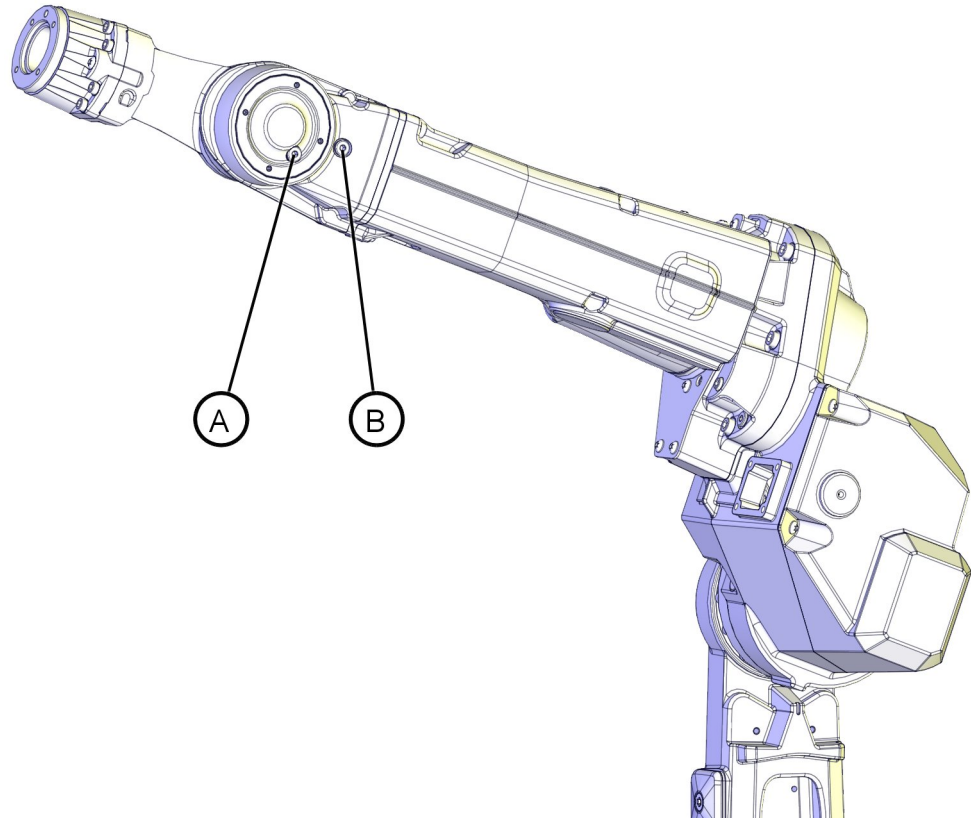
3 Maintenance

3.4.3 Changing the oil in axis 5-6 gearbox, IRB 1600ID/1660ID

3.4.3 Changing the oil in axis 5-6 gearbox, IRB 1600ID/1660ID

Location of oil plugs, axis 5-6 gearbox

The oil plugs for the axis 5-6 gearbox are located in the wrist unit as shown in the figure below.



xx1100000343

A	Oil plug, draining and filling
B	Ventilation plug

Required equipment

Equipment	Note
Lubricating oil	Information about the oil is found in <i>Technical reference manual - Lubrication in gearboxes</i> . See Type and amount of oil in gearboxes on page 130 .
Oil collecting vessel	The capacity of the vessel must be sufficient to take the complete amount of oil.
Standard toolkit	Content is defined in section Standard tools on page 383 .
Other tools and procedures may be required.	See references to these procedures in the step-by-step instructions below.

Continues on next page




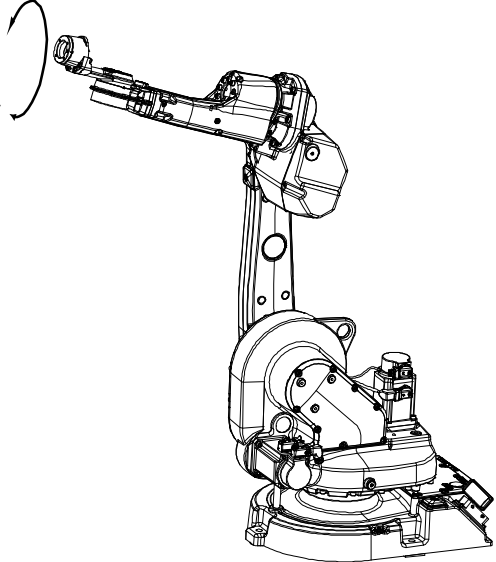



CAUTION

Always cut the paint with a knife and grind the paint edge when disassembling parts. See [Cut the paint or surface on the robot before replacing parts on page 152](#).

Draining, axis 5-6 gearbox

Use this procedure to drain the axis 5-6 gearbox.

	Action	Note
1	 <p>DANGER</p> <p>Turn off all:</p> <ul style="list-style-type: none"> • electric power supply • hydraulic pressure supply • air pressure supply <p>to the robot, before entering the robot working area.</p>	
2	 <p>WARNING</p> <p>Handling gearbox oil involves several safety risks, see Gearbox lubricants (oil or grease) on page 36.</p>	
3	<p>Position the robot as shown in the figure to the right:</p> <ul style="list-style-type: none"> • upper arm: upwards for a standing robot. • axis 4: - 90°, to a position where the oil plug (A) is faced downwards.  <p>Note</p> <p>The total amount of oil will not be drained. There will remain approximately 20 ml in the wrist unit.</p>	<p>The capacity of the vessel must be sufficient to take the complete amount of oil.</p>  <p>xx0700000033</p>
4	 <p>CAUTION</p> <p>The gearbox can contain an <i>excess of pressure</i> that can be hazardous. Open the oil plug carefully in order to let out the excess pressure.</p>	

Continues on next page

3 Maintenance

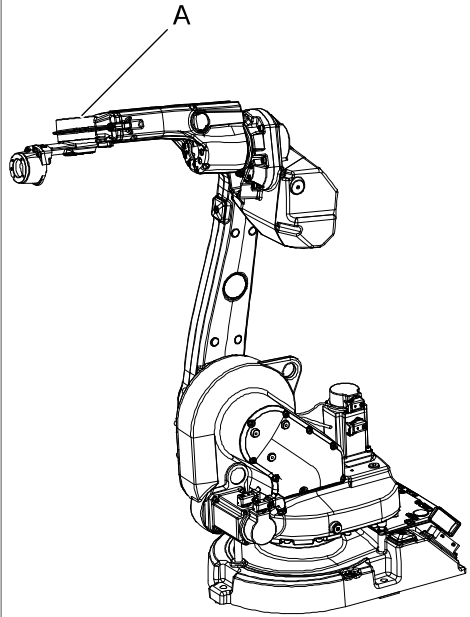
3.4.3 Changing the oil in axis 5-6 gearbox, IRB 1600ID/1660ID

Continued

	Action	Note
5	Remove the oil plug (A) and the ventilation plug (B).	Shown in figure Location of oil plugs, axis 5-6 gearbox on page 134 .
6	Drain the wrist of oil.	The quantity of the oil: <ul style="list-style-type: none"> • 1660ID: About 240 ml • 1600ID: About 100 ml
7	Refit the oil plugs.	Tightening torque: 3 Nm.

Filling oil, axis 5-6 gearbox

Use this procedure to fill the axis 5-6 gearbox with oil.

	Action	Note
1	Position the robot as shown in the figure to the right: <ul style="list-style-type: none"> • axis 4: + 90°, to a position where the oil plug (A) is faced upwards. 	 <p>xx070000034</p> <p>A Oil plugs</p>
2	Fill new oil in the wrist. Check the oil level to make sure the filled amount of oil is correct.	Where to find type of oil and total amount is detailed in Type and amount of oil in gearboxes on page 130 .
3	Refit the oil plug and the ventilation plug.	Tightening torque: 3 Nm.

3.4.4 Replacing the battery pack

**Note**

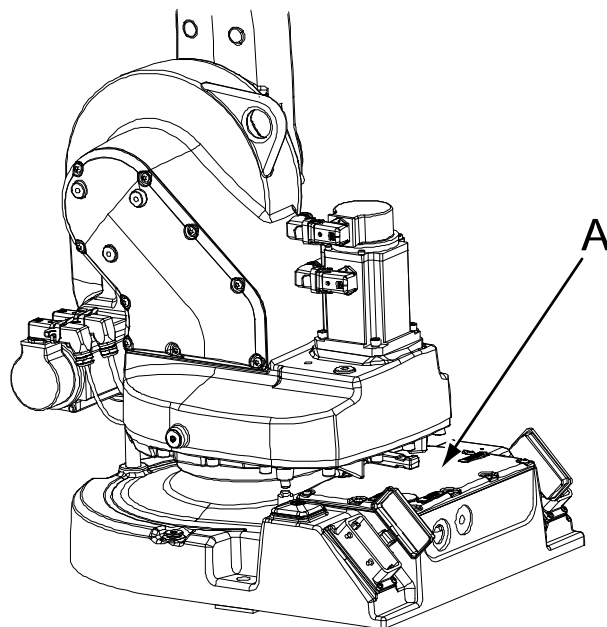
The battery low alert (38213 Battery charge low) is displayed when the battery needs to be replaced. The recommendation to avoid an unsynchronized robot is to keep the power to the controller turned on until the battery is to be replaced. For an SMB board with 3-pole battery contact (RMU101 3HAC044168-001 or RMU102 3HAC043904-001), the lifetime of a new battery is typically 36 months. For an SMB board with 2-pole battery contact, the typical lifetime of a new battery is 36 months if the robot is powered off 2 days/week or 18 months if the robot is powered off 16 h/day. The lifetime can be extended for longer production breaks with a battery shutdown service routine. See *Operating manual - IRC5 with FlexPendant* for instructions.

**WARNING**

See [Hazards related to batteries on page 38](#).

Location of battery pack

The battery pack for the measurement system is located inside the base of the robot, as shown in the figure below.



xx0500001390

A	Base cover, including gasket. Battery pack is located beneath the cover.
---	--

Continues on next page

3 Maintenance

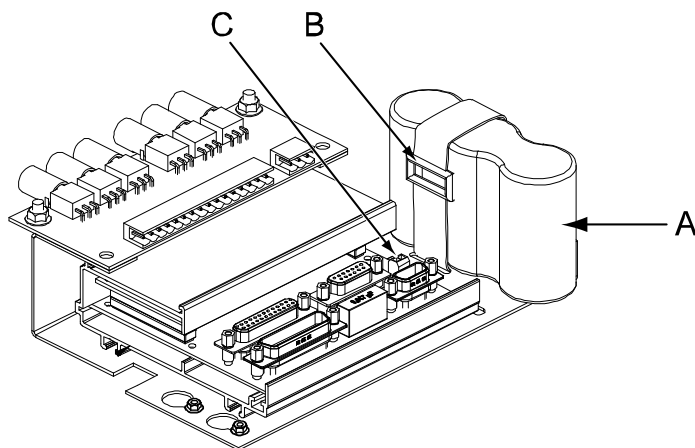
3.4.4 Replacing the battery pack

Continued

Battery pack on serial measurement unit

The battery pack is attached to the serial measurement unit as shown in the figure below.

DSQC 633A

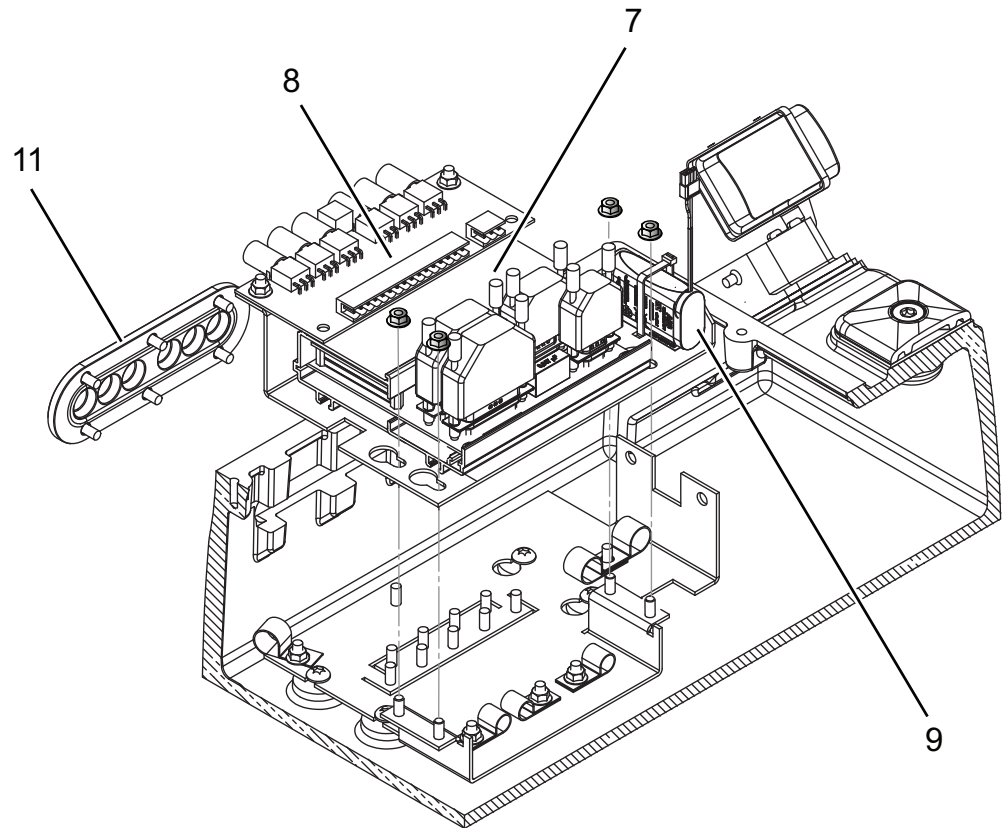


xx0500001393

A	Battery pack battery (2-pole battery contact)
B	Velcro strap
C	Connector X3

Continues on next page

RMU 101



xx130000332

7	Serial measurement board RMU 101
8	BU unit
9	Battery pack (3-pole battery contact)
10	Push button guard

Required equipment



Note

There are two variants of SMB units and batteries. One with 2-pole battery contact and one with 3-pole battery contact. The variant with the 3-pole battery contact has longer lifetime for the battery.

It is important that the SMB unit uses the correct battery. Make sure to order the correct spare parts. Do not replace the battery contact!

Equipment	Spare part no.	Note
Serial measurement board	See Spare part lists on page 387 .	
Battery pack	See Spare part lists on page 387 .	
Gasket, base cover	3HAC 022047-001	Replace if damaged.

Continues on next page

3 Maintenance

3.4.4 Replacing the battery pack

Continued

Equipment	Spare part no.	Note
Standard toolkit	-	Content is defined in section Standard tools on page 383 .
Circuit diagram	-	See chapter Circuit diagram on page 389 .



CAUTION

Always cut the paint with a knife and grind the paint edge when disassembling parts. See [Cut the paint or surface on the robot before replacing parts on page 152](#).

Replacement, battery pack

The procedure below details how to replace the battery pack.

	Action	Note
1	<p>DANGER</p> <p>Turn off all:</p> <ul style="list-style-type: none"> • electric power supply • hydraulic pressure supply • air pressure supply <p>to the robot, before entering the robot working area.</p>	
2	<p>Remove the <i>base cover</i> from the robot by unscrewing its attachment screws.</p> <p>CAUTION</p> <p>Clean cover from metal residues before opening. Metal residues can cause shortage on the boards which can result in hazardous failures.</p> <p>CAUTION</p> <p>Always cut the paint with a knife and grind the paint edge when disassembling parts. See Cut the paint or surface on the robot before replacing parts on page 152.</p>	See Location of battery pack on page 137 .
3	Disconnect the battery from the serial measurement unit.	
4	<p>Valid for battery pack with 2-pole battery contact:</p> <p>Open the velcro strap and remove the battery pack.</p>	
5	<p>Valid for battery pack with 3-pole battery contact.</p> <p>Cut the cable strap and remove the battery pack.</p>	
6	Fit the new <i>battery pack</i> and connect it to the serial measurement unit (X3).	See Battery pack on serial measurement unit on page 138 .

Continues on next page

	Action	Note
7	Valid for battery pack with 2-pole battery contact: Close the velcro strap around the battery pack.	
8	Valid for battery pack with 3-pole battery contact. Secure the battery with a cable strap.	
9	Check the base cover <i>gasket</i> , replace if damaged.	Spare part no. is specified in Required equipment on page 139 .
10	Refit the <i>base cover</i> to the robot.	See Location of battery pack on page 137 .
11	Update the revolution counters.	Detailed in section Updating revolution counters on IRC5 robots on page 340 .

3 Maintenance

3.5.1 Cleaning the IRB 1600/1660ID

3.5 Cleaning activities

3.5.1 Cleaning the IRB 1600/1660ID



DANGER

Turn off all:

- electric power supply
- hydraulic pressure supply
- air pressure supply

to the robot, before entering the safeguarded space.

General

To secure high uptime it is important that the IRB 1600/1660ID is cleaned regularly. The frequency of cleaning depends on the environment in which the product works. Different cleaning methods are allowed depending on the type of protection of the IRB 1600/1660ID.



Note

Always verify the protection type of the robot before cleaning.

Oil spills

Oil spills from gearboxes

Use the following procedure if any oil spills are detected that can be suspected to originate from a gearbox.

- 1 Inspect that the oil level in the suspected gearbox is according to the recommendations, see [Inspection activities on page 125](#).
- 2 Write down the oil level.
- 3 Inspect the oil level again after, for example, 6 months.
- 4 If the oil level is decreased then replace the gearbox.

Special cleaning considerations

This section specifies some special considerations when cleaning the robot.

- Always use cleaning equipment as specified. Any other cleaning equipment may shorten the life of the robot.
- Always check that all protective covers are fitted to the robot before cleaning.
- Never point the water jet at connectors, joints, sealings, or gaskets.
- Do not use compressed air to clean the robot.
- Never use solvents that are not approved by ABB to clean the robot.
- Do not spray from a distance closer than 0.4 m.
- Do not remove any covers or other protective devices before cleaning the robot.

Continues on next page

Cleaning methods

The following table defines what cleaning methods are allowed depending on the protection type.



Note

Rinsing with water is not allowed for a robot with integrated dressing (ID variants).

Protection type	Cleaning method			
	Vacuum cleaner	Wipe with cloth	Rinse with water	High pressure water or steam
Standard	Yes	Yes. With light cleaning detergent.	Yes. It is highly recommended that the water contains a rust-prevention solution and that the manipulator is dried afterwards.	No
Foundry Plus	Yes	Yes. With light cleaning detergent or spirit.	Yes. It is highly recommended that the water contains a rust-prevention solution.	Yes ⁱ . It is highly recommended that the water and steam contains rust preventive, without cleaning detergents.
Wash	Yes	Yes. With light cleaning detergent or spirit.	Yes. It is highly recommended that the water contains a rust-prevention solution.	Yes ⁱⁱ . It is highly recommended that the water and steam contains rust preventive, without cleaning detergents.
Clean room	Yes	Yes. With light cleaning detergent, spirit or isopropyl alcohol.	No	No

ⁱ Perform according to section [Cleaning with water and steam on page 144](#).

ⁱⁱ Perform according to section [Cleaning with water and steam on page 144](#).

Wiping with cloth

Additional cleaning instructions for Clean Room robots

ABB robots with protection types *Clean Room* are designed to be cleaned at a low cleaning frequency, before entering the cleanroom environment, after robot commissioning or during cleanroom maintenance.

Wipe-down cleaning method is recommended. Robot surfaces shall be wiped with clean and low particle emission cleanroom cloth which is soaked in 70% ethanol

Use the following procedure to clean Clean Room robots:

- 1 Before cleaning, use the lint free cloth to remove dirt, debris or any other contaminant from the to-be cleaned surfaces.
 - Make sure no visible residues left.

Continues on next page

3 Maintenance

3.5.1 Cleaning the IRB 1600/1660ID

Continued

- Never apply hard forces on or rub against the robot surfaces to remove dirt or debris; otherwise, protective paint layers may be damaged.
- 2 Wet a clean cloth with the cleaning detergent and then wipe the robot painting surfaces.
 - Make sure no cleaning agents are sprayed onto robot surfaces or into the robot structure.
 - Wipe from the surface center to edge and always in the same direction.
 - 3 Wait a few minutes for detergent volatilization.
 - Make sure no residue of cleaning agents left on the robot surfaces after wipe down cleaning.

Cleaning with water and steam

Instructions for rinsing with water

ABB robots with protection types *Standard*, *Foundry Plus*, *Wash*, or *Foundry Prime* can be cleaned by rinsing with water (water cleaner).¹

The following list defines the prerequisites:

- Maximum water pressure at the nozzle: 700 kN/m² (7 bar)¹
- Fan jet nozzle should be used, min. 45° spread
- Minimum distance from nozzle to encapsulation: 0.4 meters
- Maximum flow: 20 liters/min¹

¹ Typical tap water pressure and flow

Instructions for steam or high pressure water cleaning

ABB robots with protection types *Foundry Plus*, *Wash*, or *Foundry Prime* can be cleaned using a steam cleaner or high pressure water cleaner.²

The following list defines the prerequisites:

- Maximum water pressure at the nozzle: 2500 kN/m² (25 bar)
- Fan jet nozzle should be used, min. 45° spread
- Minimum distance from nozzle to encapsulation: 0.4 meters
- Maximum water temperature: 80° C

Cables

Movable cables need to be able to move freely:

- Remove waste material, such as sand, dust and chips, if it prevents cable movement.
- Clean the cables if they have a crusty surface, for example from dry release agents.

¹ See [Cleaning methods on page 143](#) for exceptions.

² See [Cleaning methods on page 143](#) for exceptions.

4 Repair

4.1 Introduction

Structure of this chapter

This chapter describes repair activities for the IRB 1600/1660ID. Each procedure contains the information required to perform the activity, for example spare parts numbers, required special tools, and materials.



WARNING

Repair activities not described in this chapter must only be carried out by ABB.

Report replaced units



Note

When replacing a part on the IRB 1600/1660ID, report to your local ABB the serial number, the article number, and the revision of both the replaced unit and the replacement unit.

This is particularly important for safety equipment to maintain the safety integrity of the installation.

Safety information

Make sure to read through the chapter [Safety on page 21](#) before commencing any service work.



Note

If the IRB 1600/1660ID is connected to power, always make sure that the IRB 1600/1660ID is connected to protective earth and a residual current device (RCD) before starting any repair work.

For more information see:

- *Product manual - IRC5*
- *Product manual - IRC5 Compact*
- *Product manual - IRC5 Panel Mounted Controller*

4 Repair

4.2.1 Performing a leak-down test

4.2 General procedures

4.2.1 Performing a leak-down test


When to perform a leak-down test

After refitting any motor and gearbox, the integrity of all seals enclosing the gearbox oil must be tested. This is done in a leak-down test.

Required equipment

Equipment, etc.	Article number	Note
Leak-down tester	-	
Leak detection spray	-	

Performing a leak-down test

	Action	Note
1	Finish the refitting procedure of the motor or gear in question.	
2	Remove the upper oil plug on the gear and replace it with the leak-down tester. Regulators, which are included in the leak-down test, may be required.	
3	Use caution, apply compressed air and raise the pressure with the knob until the correct value is shown on the manometer.  CAUTION The pressure must under no circumstance be higher than 0.25 bar (20-25 kPa). Also during the time when the pressure is raised.	Correct value: 0.2-0.25 bar (20-25 kPa)
4	Disconnect the compressed air supply.	
5	Wait for approximately 8-10 minutes and make sure that no pressure loss occurs.	If the compressed air is significantly colder or warmer than the gearbox to be tested, a slight pressure increase or decrease may occur. This is quite normal.
6	If any pressure drop occurred, then localize the leak as described in step 7. If no pressure drop occurred, then remove the leak-down tester and refit the oil plug. The test is complete.	
7	Spray any suspected leak areas with the leak detection spray. Bubbles indicate a leak.	
8	When the leak has been localized, take the necessary measures to correct the leak.	

4.2.2 Mounting instructions for bearings

General

This section describes how to mount and grease different types of bearings on the robot.

Equipment

Equipment, etc.	Article number	Note
Grease	3HAC042536-001	Shell Gadus S2 Used to grease the bearings, if not specified otherwise.

Assembly of all bearings


Attend to the following instructions while mounting a bearing on the robot.

	Action	Note
1	To avoid contamination, let a new bearing remain in its wrapping until it is time for fitting.	
2	Ensure that the parts included in the bearing fitting are free from burrs, grinding waste, and other contamination. Cast components must be free of foundry sand.	
3	Bearing rings, inner rings, and roller elements must not be subjected to direct impact. The roller elements must not be exposed to any stresses during the assembly work.	

Assembly of tapered bearings

Follow the preceding instructions for the assembly of the bearings when mounting a tapered bearing on the robot.

In addition to those instructions, the following procedure must be carried out to enable the roller elements to adjust to the correct position against the race flange.

	Action	Note
1	Tension the bearing gradually until the recommended pre-tension is achieved.  Note The roller elements must be rotated a specified number of turns before pre-tensioning is carried out and also rotated during the pre-tensioning sequence.	
2	Make sure the bearing is properly aligned as this will directly affect the durability of the bearing.	

Greasing of bearings



Note

This instruction is not valid for solid oil bearings.

Continues on next page

4 Repair

4.2.2 Mounting instructions for bearings

Continued

The bearings must be greased after assembly according to the following instructions:

- The bearings must not be completely filled with grease. However, if space is available beside the bearing fitting, the bearing may be totally filled with grease when mounted, as excessive grease will be pressed out from the bearing when the robot is started.
- During operation, the bearing should be filled to 70-80% of the available volume.
- Ensure that grease is handled and stored properly to avoid contamination.

Grease the different types of bearings as following description:

- *Grooved ball bearings* must be filled with grease from both sides.
- *Tapered roller bearings* and axial needle bearings must be greased in the split condition.

4.2.3 Mounting instructions for sealings

General

This section describes how to mount different types of sealings.

Equipment

Consumable	Article number	Note
Grease	3HAC042536-001	Shell Gadus S2

Rotating sealings

The procedure below describes how to fit rotating sealings.



CAUTION

Please observe the following before commencing any assembly of sealings:

- Protect the sealing during transport and mounting, especially the main lip.
- Keep the sealing in its original wrappings or protect it well before actual mounting.
- The fitting of sealings and gears must be carried out on clean workbenches.
- Use a protective sleeve for the main lip during mounting, when sliding over threads, keyways or other sharp edges.

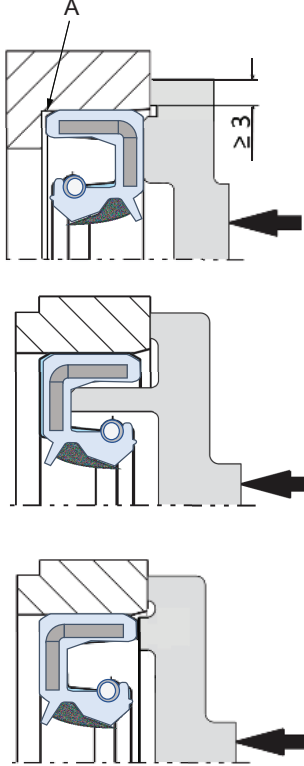
Action	Note
1 Check the sealing to ensure that: <ul style="list-style-type: none"> • The sealing is of the correct type. • There is no damage on the main lip. 	
2 Inspect the shaft surface before mounting. If scratches or damage are found, the shaft must be replaced since it may result in future leakage. Do not try to grind or polish the shaft surface to get rid of the defect.	
3 Lubricate the sealing with grease just before fitting. (Not too early - there is a risk of dirt and foreign particles adhering to the sealing.) Fill 2/3 of the space between the dust lip and the main lip with grease. If the sealing is without dust lip, just lubricate the main lip with a thin layer of grease.	<p>Article number is specified in Equipment on page 149.</p> <p>xx2000000071</p> <p>A Main lip B Grease C Dust lip</p>

Continues on next page

4 Repair

4.2.3 Mounting instructions for sealings

Continued

	Action	Note
4	<p>Mount the sealing correctly with a mounting tool. Never hammer directly on the sealing as this may result in leakage.</p>	 <p>xx2000000072</p> <p>A Gap</p>
5	<p>Make sure that no grease is left on the robot surface.</p>	

Flange sealings and static sealings

The following procedure describes how to fit flange sealings and static sealings.

	Action
1	<p>Check the flange surfaces. They must be even and free from pores. It is easy to check flatness using a gauge on the fastened joint (without sealing compound). If the flange surfaces are defective, the parts may not be used because leakage could occur.</p>
2	<p>Clean the surfaces properly in accordance with the recommendations of ABB.</p>
3	<p>Distribute the sealing compound evenly over the surface, preferably with a brush.</p>
4	<p>Tighten the screws evenly when fastening the flange joint.</p>

O-rings

The following procedure describes how to fit o-rings.

	Action	Note
1	<p>Ensure that the correct o-ring size is used.</p>	
2	<p>Check the o-ring for surface defects, burrs, shape accuracy, or deformation.</p>	<p>Defective o-rings, including damaged or deformed o-rings, may not be used.</p>

Continues on next page

	Action	Note
3	Check the o-ring grooves. The grooves must be geometrically correct and should be free of pores and contamination.	
4	Lubricate the o-ring with grease.	
5	Tighten the screws evenly while assembling.	
6	Check that the o-ring is not squashed outside the o-ring groove.	
7	Make sure that no grease is left on the robot surface.	

4 Repair

4.2.4 Cut the paint or surface on the robot before replacing parts

4.2.4 Cut the paint or surface on the robot before replacing parts

General

Follow the procedures in this section whenever breaking the paint of the robot during replacement of parts.

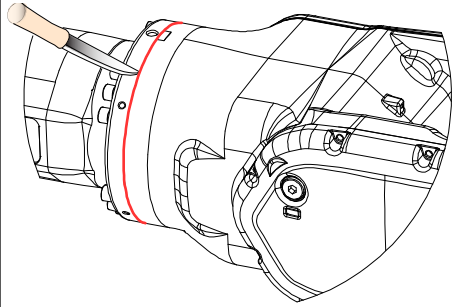
For robots with protection type Clean Room

When replacing parts on the robot, it is important to make sure that after the replacement, no particles will be emitted from the joint between the structure and the new part, and that the easy cleaned surface is retained.

Required equipment

Equipment	Spare parts	Note
Sealing compound	3HAC026759-001	Sikaflex 521 FC. Color white.
Tooling pin		Width 6-9 mm, made of wood.
Cleaning agent		Ethanol
Knife		
Lint free cloth		
Touch up paint Clean Room/Hygienic	3HAC036639-001	White
Touch up paint Standard/Foundry Plus	3HAC067974-001	Graphite White
Touch up paint Standard/Foundry Plus	3HAC037052-001	ABB Orange

Removing

Action	Description
1	<p>Cut the paint with a knife in the joint between the part that will be removed and the structure, to avoid that the paint cracks.</p>  <p>xx0900000121</p>
2	<p>Carefully grind the paint edge that is left on the structure to a smooth surface.</p>

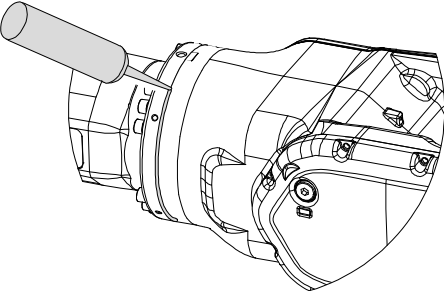
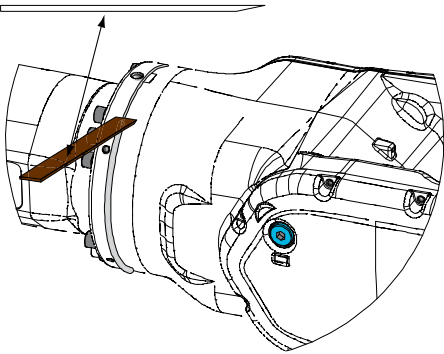

Refitting

Action	Description
1	<p>Before the parts are refitted, clean the joint so that it is free from oil and grease.</p> <p>Use ethanol on a lint free cloth.</p>
2	<p>Place the tooling pin in hot water.</p>

Continues on next page

4.2.4 Cut the paint or surface on the robot before replacing parts

Continued

	Action	Description
3	Seal all refitted joints with sealing compound.	 <p>xx0900000122</p>
4	Use the tooling pin to even out the surface of the sealing compound.	 <p>xx0900000125</p>
5	For robots with protection type Clean Room Wait 10 minutes.	For robots with protection type Clean Room Sikaflex 521FC skin dry time (10 minutes).
6	Use Touch up paint Clean Room/Hygienic, white to paint any damaged surfaces.  Note Always read the instruction in the product data sheet in the paint repair kit for Clean Room/Hygienic.	3HAC036639-001



Note

After all repair work, wipe the robot free from particles with spirit on a lint free cloth.

4 Repair

4.2.5 The brake release buttons may be jammed after service work

4.2.5 The brake release buttons may be jammed after service work

Description

The brake release unit has push-buttons for the brake release of each axis motor. When service work is performed inside the SMB recess that includes removal and refitting of the brake release unit, the brake release buttons may be jammed after refitting.



DANGER

If the power is turned on while a brake release button is jammed in depressed position, the affected motor brake is released. This may cause serious personal injuries and damage to the robot.

Elimination

To eliminate the danger after service work has been performed inside the SMB recess, follow the procedure below.

	Action	Note
1	Make sure the power is turned off.	
2	Refit the push button guard, if removed.	
3	Verify that the push-buttons of the brake release unit are working by pressing them down, one by one. Make sure none of the buttons are jammed by the push button guard.	
4	If a button gets jammed in the depressed position, the alignment of the push button unit must be adjusted so that the buttons can move freely. Remove the push button guard and: <ul style="list-style-type: none"> Make sure the centering piece (B) is properly fitted to the unit. (The piece aligns the unit vertically.) Adjust the unit sideways so that the measurements x1 and x2 in the figure to the right do not differ more than 1 mm from each other. 	<p>xx0600002777</p> <p>Article number for the centering piece is specified in Required equipment on page 247.</p>
5	Refit the push button guard and check the buttons again by pressing them down, one by one.	

4.3 Complete manipulator

4.3.1 Replacing the cable harness, IRB 1600

Location of cable harness

The cable harness is run through the robot from the base to the upper arm housing. The location of the harness is shown in several figures, next to the procedures, later on in this section.

Views of the cable harness may also be found in the chapter [Spare part lists on page 387](#).

Required equipment

Equipment	Spare part no.	Note
Cable harness IRB 1600/1.45	3HAC 021827-001	No application interface.
Cable harness IRB 1600/1.45, Customer connections	3HAC 021828-001	
Cable harness IRB 1600/1.45, Wire feeder	3HAC 021830-001	
Cable harness IRB 1600/1.2, Customer connections	3HAC 021828-003	
Gasket, upper arm cover	3HAC022049-001	Replace if damaged.
Gasket, customer connections	3HAC022050-001	Replace if damaged.
Gasket, base cover	3HAC 022047-001	Replace if damaged.
Gasket, gearbox axis 1-2	3HAC022048-001	Replace if damaged.
VK-cover	3HAA 2166-23	Upper and lower covers. 2 pcs
VK-cover	3HAA 2166-21	Middle cover.
Cable ties		
Centering piece	3HAC025815-001	Fitted to the push button unit in order to align it correctly. Replace if damaged.
Standard toolkit		Content is defined in section Standard tools on page 383 .
Circuit diagram		See chapter Circuit diagram on page 389 .



CAUTION

Always cut the paint with a knife and grind the paint edge when disassembling parts. See [Cut the paint or surface on the robot before replacing parts on page 152](#).

Continues on next page

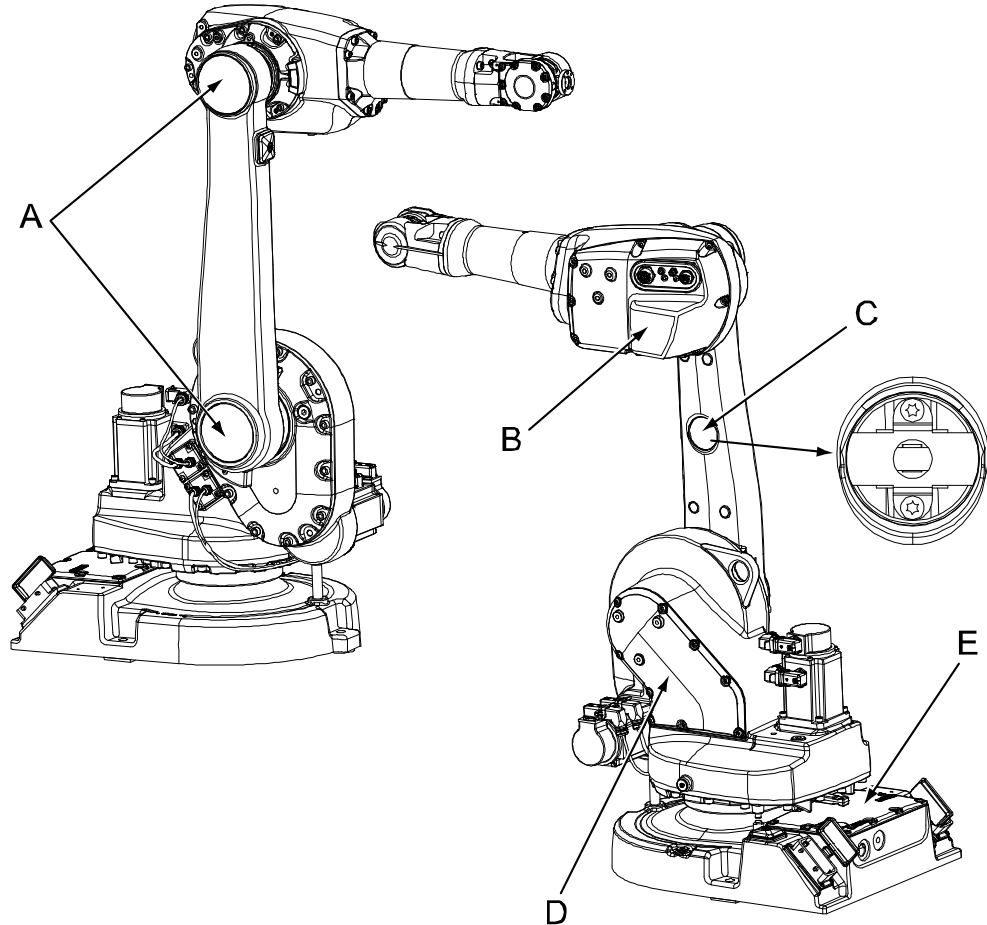
4 Repair

4.3.1 Replacing the cable harness, IRB 1600

Continued

Illustration, covers to remove

The figure below shows all the covers that must be removed from the robot in order to get access to the cable harness and all the brackets.



xx0400001248

A	Upper and lower VK-cover
B	Arm housing cover, with gaskets
C	VK-cover (also shown with the cover removed)
D	Cover, frame, with gasket
E	Base cover, with gasket

Continues on next page


Deciding calibration routine

Decide which calibration routine to be used, based on the information in the table. Depending on which routine is chosen, action might be required prior to beginning the repair work of the robot, see the table.

	Action	Note
1	Decide which calibration routine to use for calibrating the robot. <ul style="list-style-type: none"> Reference calibration. External cable packages (DressPack) and tools can stay fitted on the robot. Fine calibration. All external cable packages (DressPack) and tools must be removed from the robot. 	
	If the robot is to be calibrated with reference calibration: Find previous reference values for the axis or create new reference values. These values are to be used after the repair procedure is completed, for calibration of the robot. If no previous reference values exist, and no new reference values can be created, then reference calibration is not possible.	Follow the instructions given in the reference calibration routine on the FlexPendant to create reference values. Creating new values requires possibility to move the robot. Read more about reference calibration for Axis Calibration in <i>Product manual - IRB 4600</i> .
	If the robot is to be calibrated with fine calibration: Remove all external cable packages (DressPack) and tools from the robot.	

Removal, cable harness

The procedure below details how to remove the complete cable harness from the robot.

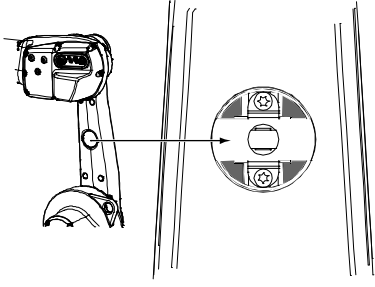
	Action	Note/Illustration
1	Decide which calibration routine to use, and take actions accordingly prior to beginning the repair procedure.	
2	 DANGER Turn off all: <ul style="list-style-type: none"> electric power supply hydraulic pressure supply air pressure supply to the robot, before entering the robot working area.	

Continues on next page

4 Repair

4.3.1 Replacing the cable harness, IRB 1600

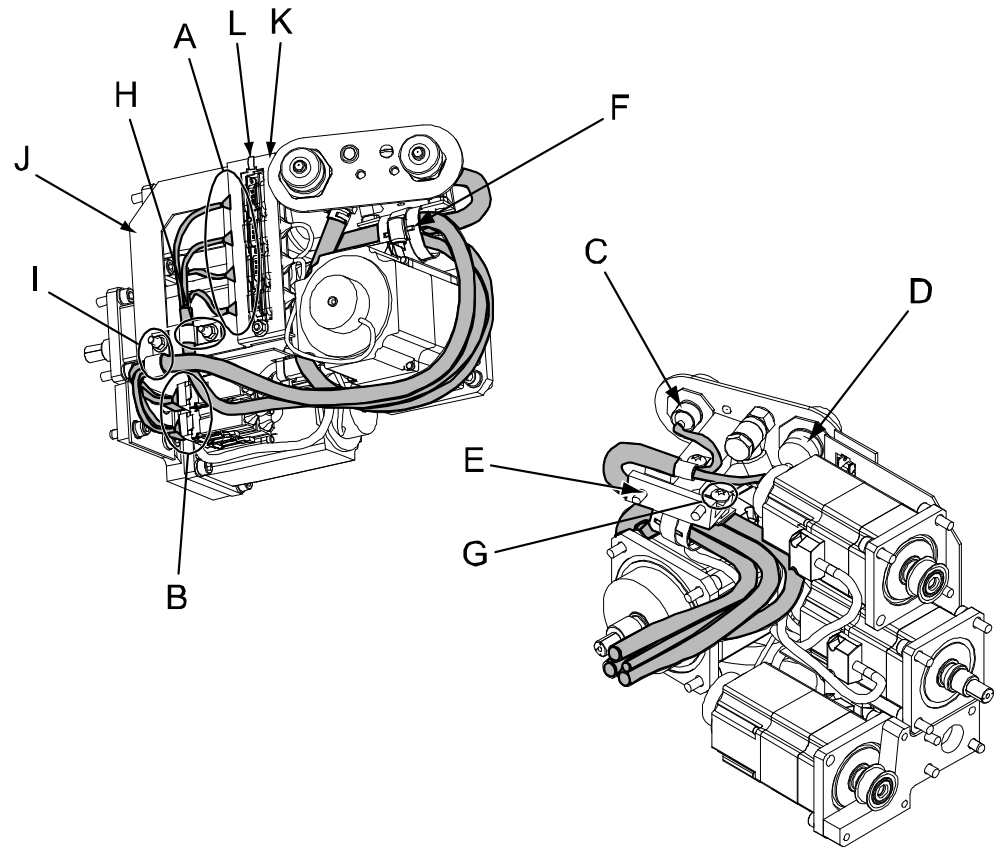
Continued

	Action	Note/Illustration
3	<p>Remove all the covers:</p> <ul style="list-style-type: none"> Remove the covers of the upper arm housing, frame and base. Push out the upper and lower VK-cover from the inside. Remove the middle VK-cover from the lower arm. <p>Caution! Be careful not to damage the cabling and cable bracket inside the lower arm when removing the middle VK-cover!</p> <p>The figure to the right shows the space underneath the cover. The gray areas are safe for insertion of a tool that may be inserted with a maximum depth of 20 mm!</p>	<p>All the covers are shown in the figure <i>Illustration, covers to remove on page 156</i>.</p>  <p>xx0400001247</p>
4	The cable bracket inside the lower arm is attached to the cable harness. Move the bracket to the new cabling.	
5	Disconnect all the connectors inside the upper arm housing.	Shown in the figure <i>Illustration, cabling inside upper arm housing on page 159</i> .
6	Remove all cable ties, clamps and brackets inside the upper arm housing.	Attachment points inside the upper arm housing are shown in the figure <i>Illustration, cabling inside upper arm housing on page 159</i> .
7	Disconnect all the connectors inside the frame.	Shown in the figure <i>Illustration, cabling inside frame on page 161</i> .
8	Remove the fastening plate, all cable ties and brackets from inside the frame. Remove the cable clamp unit from the fastening plate.	Attachment points inside the frame are shown in the figure <i>Illustration, cabling inside frame on page 161</i> .
9	Disconnect all the connectors at the base and remove the <i>SMB unit</i> from the base. Note! Do not lose the centering piece fitted to the push button unit!	Shown in the figure <i>Illustration, cabling inside base on page 162</i> .
10	Remove all cable ties and brackets at the base.	Shown in the figure <i>Illustration, cabling inside base on page 162</i> .
11	Pull out the cabling from the upper arm housing and pull it down through the lower arm.	
12	Continue pulling down the cable harness through the frame and pull it out at the rear of the base.	

Continues on next page

Illustration, cabling inside upper arm housing

The figure below shows how the cabling is run inside the upper arm housing.



xx0400001250

A	Signal cabling; connectors for motors on axes 3, 4, 5 and 6: R3.FB3, R3.FB4, R3.FB5 and R3.FB6
B	Power cabling; connectors for motors on axes 3, 4, 5 and 6: R3.MP3, R3.MP4, R3.MP5 and R3.MP6
C	Optional connector: R2.CP
D	Optional connector: R2.CS
E	Distance console with contact panel
F	Cable clamp unit
G	Attachment screws, cable clamp unit (2 pcs, only one shown)
H	Clamp, signal cabling
I	Clamp, motor cabling
J	Connector plate
K	Connector holder
L	Cable tie, connector holder

Continues on next page


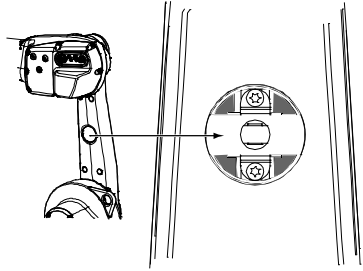
4 Repair

4.3.1 Replacing the cable harness, IRB 1600

Continued

Refitting, cable harness in upper arm housing and lower arm

The procedure below details how to refit the cabling inside the upper arm housing. The cable layout is shown in the figure [Illustration, cabling inside upper arm housing on page 159](#).

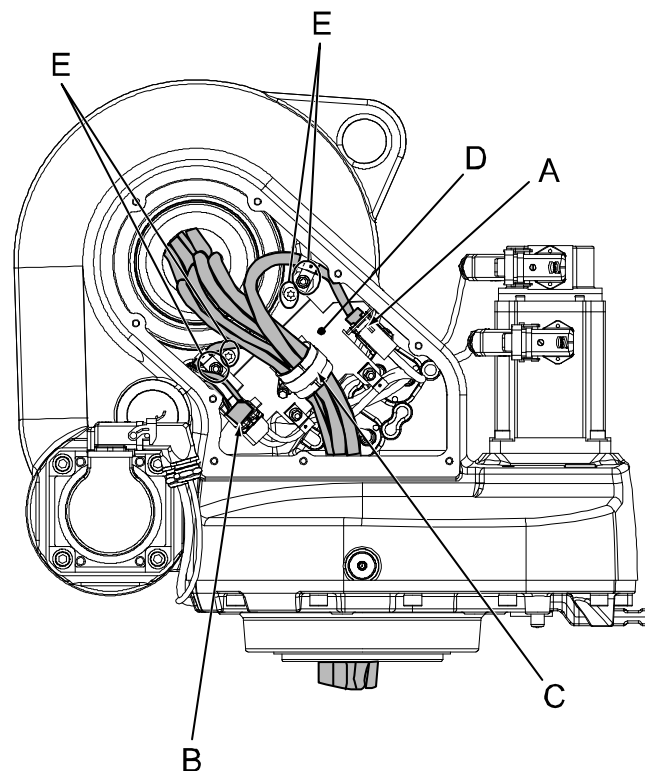
	Action	Note/Illustration
1	 DANGER Turn off all: <ul style="list-style-type: none"> • electric power supply • hydraulic pressure supply • air pressure supply to the robot, before entering the robot working area.	
2	Insert the cabling to axes 3, 4, 5 and 6 up through the lower arm and into the upper arm housing.	
3	Place the cable bracket correctly inside the lower arm and secure it by refitting the VK-cover.	Spare part no. is specified in Required equipment on page 155 .  <small>xx0400001247</small> Cable bracket is attached to the cabling with 2 screws, M6x8.
4	Fasten the cabling inside the upper arm housing by fitting the <i>cable clamp unit</i> to the <i>distance console</i> with two <i>attachment screws</i> .	Shown in the figure Illustration, cabling inside upper arm housing on page 159 .
5	Fit the motor and signal cabling to the <i>connector plate</i> with <i>clamps</i> .	Hexagon nut: M5. 1 pc for each clamp.
6	Reconnect the signal cable connectors and slide them into the <i>connector holder</i> . Notice that one of the cable ties in the connector holder plate must be removed in order to insert the cables into the holder. Refit it when the connectors are inserted.	Shown in the figure Illustration, cabling inside upper arm housing on page 159 .
7	Reconnect the motor cable connectors.	
8	Reconnect optional connectors, if any, at the contact panel.	
9	Place the cabling correctly inside the housing and secure it with cable ties.	The cable layout is shown in the figure Illustration, cabling inside upper arm housing on page 159 .

Continues on next page

	Action	Note/Illustration
10	Refit the <i>arm housing cover</i> with eight attachment screws. Check the two <i>gaskets</i> and replace, if damaged.	8 pcs, M6. Shown in the figure <i>Illustration, covers to remove on page 156</i> . Spare part no. is specified in <i>Required equipment on page 155</i> .
11	Fit new <i>VK-covers</i> to the lower arm.	Spare part no. is specified in <i>Required equipment on page 155</i> .
12	Continue refitting the cable harness according to procedure <i>Refitting, cable harness in frame and base on page 163</i> .	

Illustration, cabling inside frame

The figure below shows how the cabling is run inside the frame.



xx0400001249

A	Power cabling; connectors for motors on axes 1 and 2: R3.MP1 and R3.MP2
B	Signal cabling; connectors for motors on axes 1 and 2: R3.FB1 and R3.FB2
C	Cable clamp unit (attachment screws behind the fastening plate)
D	Fastening plate
E	Attachment screws and nuts

Continues on next page

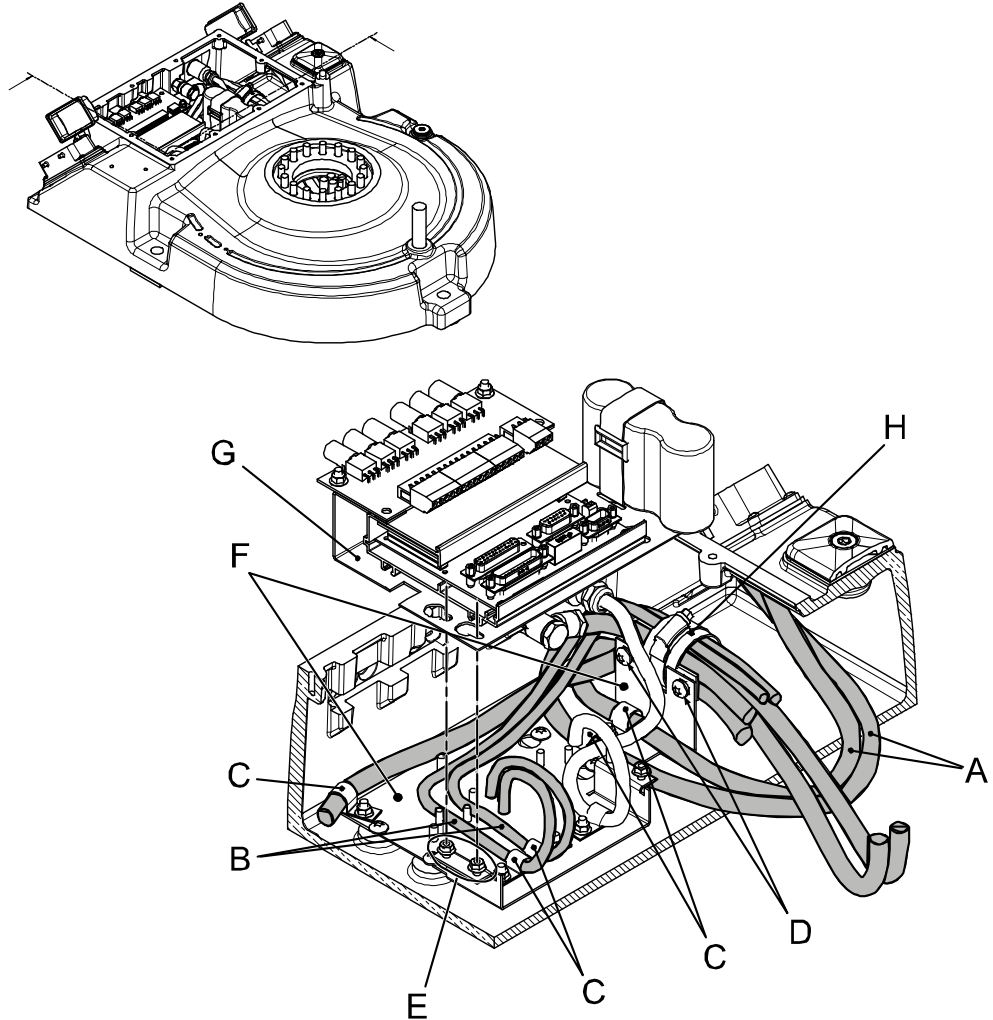
4 Repair

4.3.1 Replacing the cable harness, IRB 1600

Continued

Illustration, cabling inside base

The figure below shows how the cabling is run inside the base. Optional cabling is also shown in the figure, but not further specified.




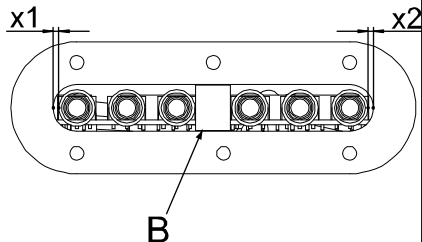

xx0500001388

A	Power cabling
B	Signal cabling
C	Clamp with hexagon nut
D	Attachment screws, cable clamp unit
E	Hexagon nut, SMB plate
F	Fastening plate
G	SMB unit
H	Cable clamp unit

Continues on next page

Refitting, cable harness in frame and base

The procedure below details how to refit the cabling inside the frame and the base. The cable layout is shown in the figures [Illustration, cabling inside frame on page 161](#) and [Illustration, cabling inside base on page 162](#).

	Action	Note
1	 DANGER Turn off all: <ul style="list-style-type: none"> • electric power supply • hydraulic pressure supply • air pressure supply to the robot, before entering the robot working area.	
2	Run the cables from the lower arm into the frame.	
3	Fit the <i>cable clamp unit</i> to the <i>fastening plate</i> with two attachment screws, but do not secure the plate to the frame yet.	Shown in the figure Illustration, cabling inside frame on page 161 .
4	Run the cabling down to the base. Pull it out at the rear of the base.	
5	Connect all the connectors inside the frame and secure all plates and cable brackets inside the frame with <i>attachment screws and nuts</i> .	Shown in the figure Illustration, cabling inside frame on page 161 .
6	In the base, secure the cabling to the bottom <i>fastening plate</i> : <ul style="list-style-type: none"> • fit the <i>cable clamp unit</i> with two <i>attachment screws</i> (M6). • fit the separate cables with <i>clamps and hexagon nuts</i>. 	Shown in the figure Illustration, cabling inside base on page 162 .
7	Refit the <i>SMB unit</i> to the fastening plate with hexagon nuts.	Shown in the figure Illustration, cabling inside base on page 162 .
8	Refit the centering piece (B) to the push button unit in order to align it vertically. Also make sure that the unit is correctly aligned sideways: the measurements x1 and x2 in the figure to the right should not differ more than 1 mm from each other!	 <p>xx0600002777</p> <p>Art. no. for the centering piece is specified in Required equipment on page 155.</p>
9	Refit the push button guard to the robot base.	
10	 WARNING Before continuing any service work, please observe the safety information in section The brake release buttons may be jammed after service work on page 154!	

Continues on next page

4 Repair

4.3.1 Replacing the cable harness, IRB 1600

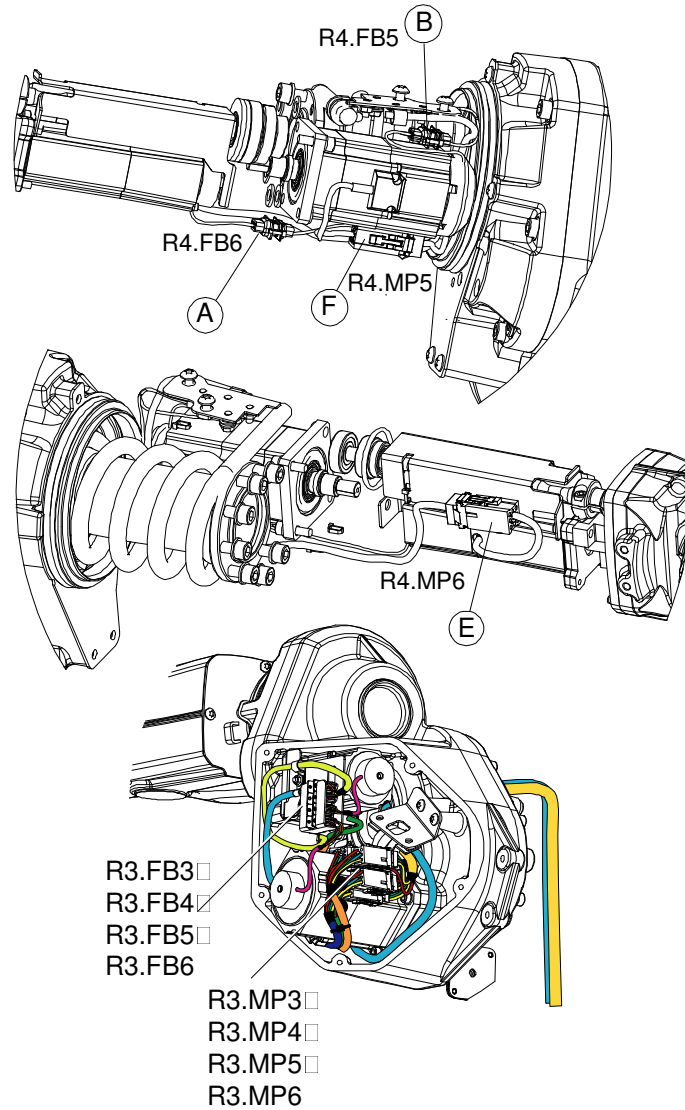
Continued

	Action	Note
11	Connect the: <ul style="list-style-type: none">• signal cable connectors to the SMB unit• power cable connector to the housing in the base• optional cabling, if any• ground cable.	Shown in the figure <i>Illustration, cabling inside base on page 162</i> .
12	Refit the <i>covers</i> to the frame and to the base. Replace the <i>gaskets</i> , if damaged.	Shown in the figure <i>Illustration, covers to remove on page 156</i> . Spare part no. is specified in <i>Required equipment on page 155</i> .
13	Recalibrate the robot!	Pendulum Calibration is described in <i>Operating manual - Calibration Pendulum</i> , enclosed with the calibration tools. Axis Calibration is described in <i>Calibrating with Axis Calibration method on page 344</i> . General calibration information is included in section <i>Calibration on page 331</i> .

4.3.2 Replacing the cable harness, 1600ID/1660ID

Location of the harness

The location of the harness is shown in several figures, next to the procedures, later on in this section.



xx0700000038

A	R4.FB6
B	R4.FB5
E	R4.MP6
F	R4.MP5

Required equipment

Equipment	Spare part no.	Note
Standard toolkit		Standard tools on page 383

Continues on next page

4 Repair

4.3.2 Replacing the cable harness, 1600ID/1660ID

Continued

Equipment	Spare part no.	Note
Circuit diagram		
Cable ties		
VK- cover	3HAA 2166-23	Upper and lower covers. 2 pcs
Cable harness axis 5-6	3HAC027523-002	IRB 1600ID-4/1.5
	3HAC055651-001	IRB 1660ID-X/1.55



CAUTION

Be careful when handling the wrist. Always hold on the casting, do not hold on the wrist cover. This can damage the sealing which will cause oil leakage.



CAUTION

Always cut the paint with a knife and grind the paint edge when disassembling parts. See [Cut the paint or surface on the robot before replacing parts on page 152.](#)

Deciding calibration routine

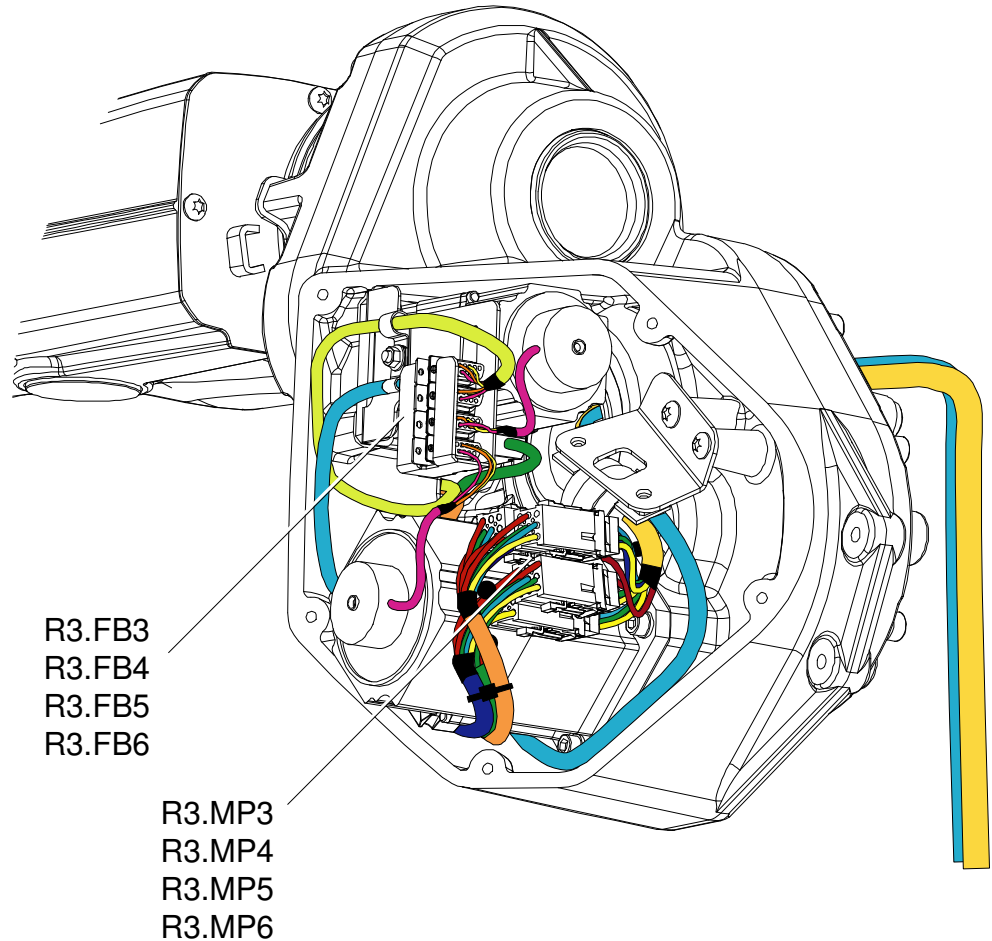
Decide which calibration routine to be used, based on the information in the table. Depending on which routine is chosen, action might be required prior to beginning the repair work of the robot, see the table.

	Action	Note
1	<p>Decide which calibration routine to use for calibrating the robot.</p> <ul style="list-style-type: none"> Reference calibration. External cable packages (DressPack) and tools can stay fitted on the robot. Fine calibration. All external cable packages (DressPack) and tools must be removed from the robot. 	
	<p>If the robot is to be calibrated with reference calibration:</p> <p>Find previous reference values for the axis or create new reference values. These values are to be used after the repair procedure is completed, for calibration of the robot.</p> <p>If no previous reference values exist, and no new reference values can be created, then reference calibration is not possible.</p>	<p>Follow the instructions given in the reference calibration routine on the FlexPendant to create reference values.</p> <p>Creating new values requires possibility to move the robot.</p> <p>Read more about reference calibration for Axis Calibration in <i>Product manual - IRB 4600</i>.</p>
	<p>If the robot is to be calibrated with fine calibration:</p> <p>Remove all external cable packages (DressPack) and tools from the robot.</p>	


Continues on next page

Removal, cable harness lower arm and upper arm back

The procedure below describes removal of the complete cable harness in upper arm back.



xx0700000105

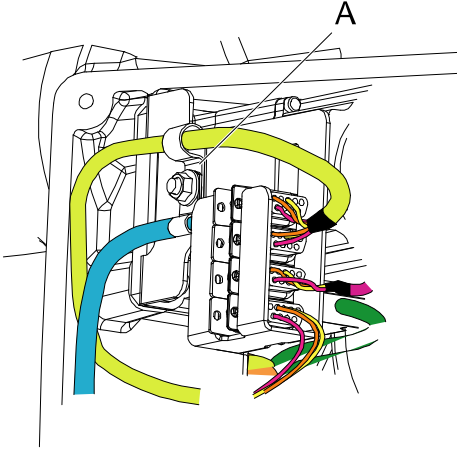
	Action	Note
1	Decide which calibration routine to use, and take actions accordingly prior to beginning the repair procedure.	
2	 <p>DANGER</p> <p>Turn off all:</p> <ul style="list-style-type: none"> • electric power supply • hydraulic pressure supply • air pressure supply <p>to the robot, before entering the robot working area.</p>	
3	Remove the cover to the upper arm.	

Continues on next page

4 Repair

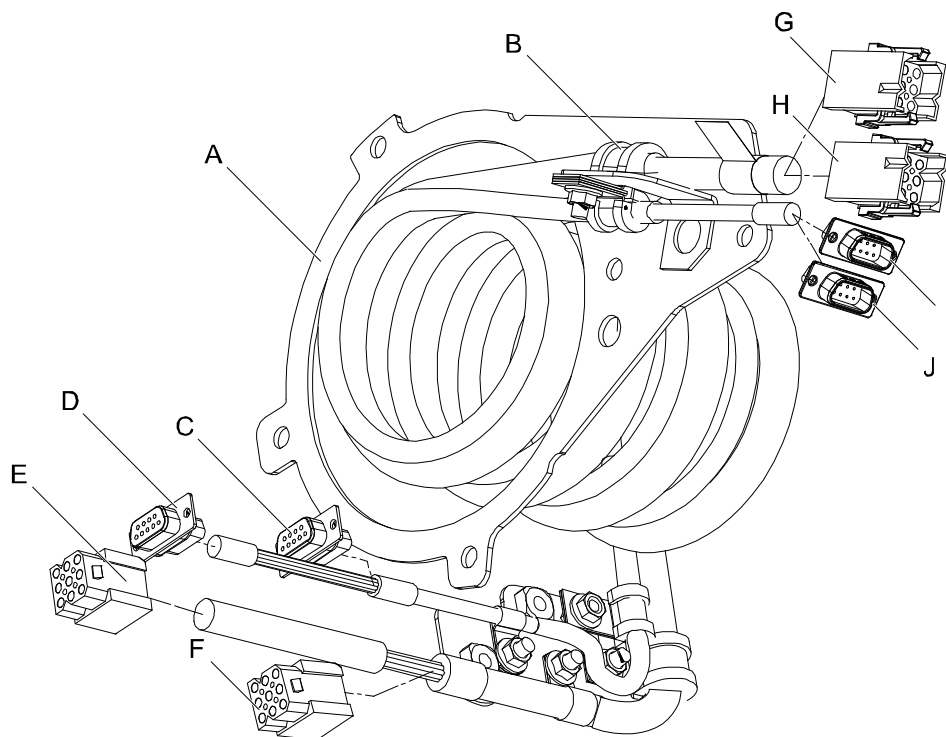
4.3.2 Replacing the cable harness, 1600ID/1660ID

Continued

	Action	Note
4	Remove the hexagon nut with flange (A) holding the two (2) clamps.	 <p data-bbox="948 779 1053 801">xx070000106</p> <p data-bbox="979 815 1289 846">A Hexagon nut with flange</p>
5	Disconnect R3.FB3 - R3.FB6.	
6	Disconnect R3.MP3 - R3.MP6.	
7	Remove the cable harness from the lower arm.	Follow instructions in section Replacing the cable harness, IRB 1600 on page 155 .

Removal, cable harness upper arm tube

The procedure below describes removal of the complete cable harness in upper arm tube.


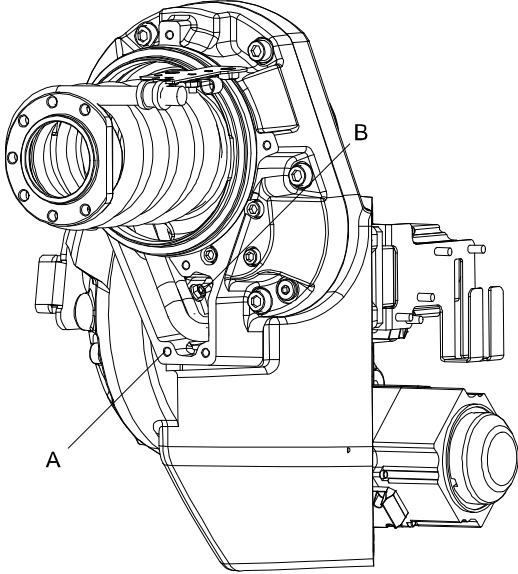


xx070000099

A	Cover plate
---	-------------

Continues on next page

B	Clamp
C	R4.FB5
D	R4.FB6
E	R4.MP6
F	R4.MP5
G	R3.MP5
H	R3.MP6
I	R3.FB5
J	R3.FB6


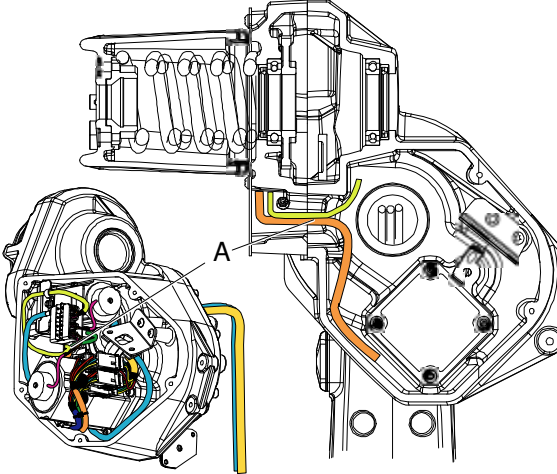
	Action	Note
1	 <p>DANGER</p> <p>Turn off all:</p> <ul style="list-style-type: none"> • electric power supply • hydraulic pressure supply • air pressure supply <p>to the robot, before entering the robot working area.</p>	
2	Remove the upper arm tube.	Described in section: <ul style="list-style-type: none"> • IRB 1600ID: Replacement of motor, axis 5, IRB 1600ID on page 287 • IRB 1660ID: Replacement of motor, axis 5, IRB 1660ID on page 295
3	Remove all the Torx pan head screw (A) holding the cover.	 <p>xx0700000113</p> <p>A Torx pan head screw M6x12 B Hexagon nut with flange M5</p>

Continues on next page

4 Repair

4.3.2 Replacing the cable harness, 1600ID/1660ID

Continued

	Action	Note
4	Remove the cover plate.	 Tip The spare part cable harness 3HAC027523-002 includes a galvanized coverplate without paint. If a painted cover is preferred, use the old cover plate.
5	Remove the cable pulling it out through the passage (A).	 <p data-bbox="842 1010 948 1025">xx0700000114</p>

Refitting, cable harness

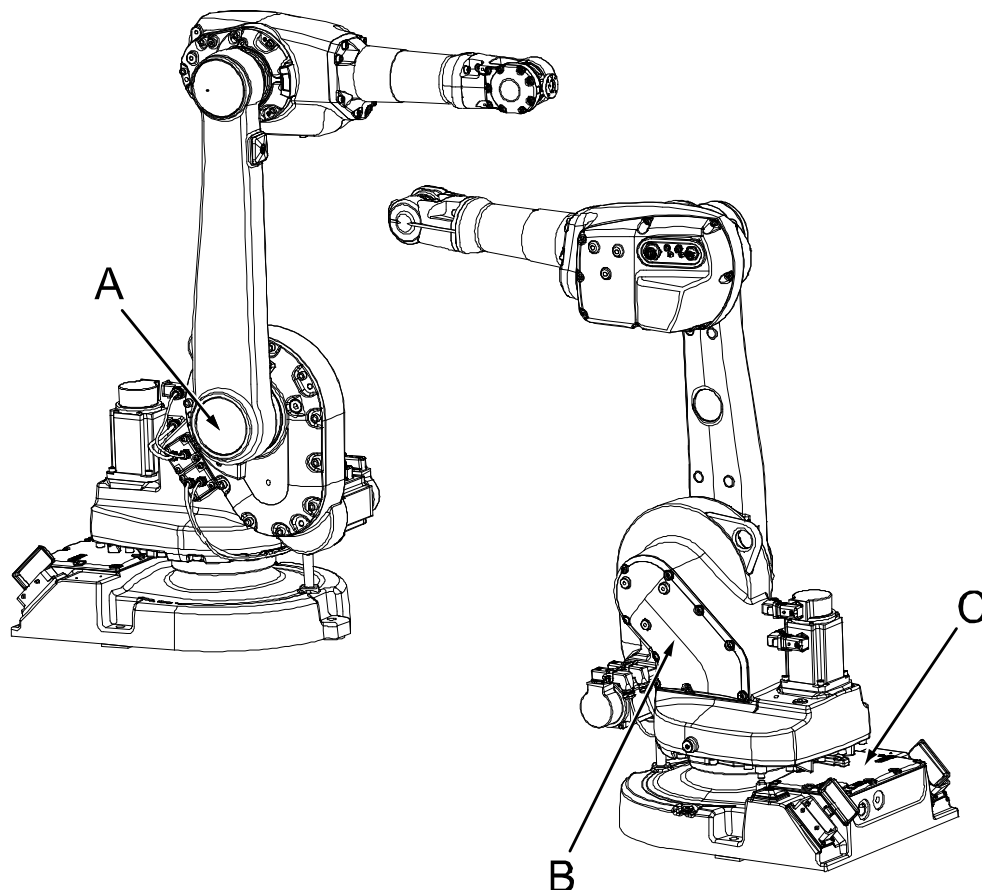
The procedure below describes refitting of the complete cable harness.

	Action	Note
1	Refit the cable harness.	Described in section Refitting, cable harness in upper arm housing and lower arm on page 160
2	Refit the upper arm tube.	Described in section Refitting, motor axis 5 on page 292 .
3	Refit the connections in the upper arm.	Shown in figure Location of the harness on page 165 .
4	Recalibrate the robot.	Pendulum Calibration is described in <i>Operating manual - Calibration Pendulum</i> , enclosed with the calibration tools. Axis Calibration is described in Calibrating with Axis Calibration method on page 344 . General calibration information is included in section Calibration on page 331 .

4.3.3 Replacement of complete arm system

Location of complete arm system

The complete arm system includes complete upper and lower arms.



xx0500001443

A	VK-cover (attachment screws underneath cover)
B	Cover, frame
C	Cover, base

Required equipment

Equipment	Art. no.	Note
Lifting slings	-	
VK-cover	3HAA 2166-23	
Sealing ring (V-ring)	3HAB3732-13	Replace if damaged.
Isopropanol	-	Used to clean the mating surfaces.
Locking liquid	-	Loctite 574
Standard toolkit	-	Content is defined in section Standard tools on page 383 .

Continues on next page

4 Repair

4.3.3 Replacement of complete arm system

Continued

Equipment	Art. no.	Note
Other tools and procedures may be required. See references to these procedures in the step-by-step instructions below.		These procedures include references to the tools required.



CAUTION

Always cut the paint with a knife and grind the paint edge when disassembling parts. See [Cut the paint or surface on the robot before replacing parts on page 152](#).

Deciding calibration routine

Decide which calibration routine to be used, based on the information in the table. Depending on which routine is chosen, action might be required prior to beginning the repair work of the robot, see the table.



	Action	Note
1	Decide which calibration routine to use for calibrating the robot. <ul style="list-style-type: none"> Reference calibration. External cable packages (DressPack) and tools can stay fitted on the robot. Fine calibration. All external cable packages (DressPack) and tools must be removed from the robot. 	
	If the robot is to be calibrated with reference calibration: Find previous reference values for the axis or create new reference values. These values are to be used after the repair procedure is completed, for calibration of the robot. If no previous reference values exist, and no new reference values can be created, then reference calibration is not possible.	Follow the instructions given in the reference calibration routine on the FlexPendant to create reference values. Creating new values requires possibility to move the robot. Read more about reference calibration for Axis Calibration in <i>Product manual - IRB 4600</i> .
	If the robot is to be calibrated with fine calibration: Remove all external cable packages (DressPack) and tools from the robot.	

Removing the complete arm system

Use this procedure to remove the complete arm system from the robot.

	Action	Note
1	Decide which calibration routine to use, and take actions accordingly prior to beginning the repair procedure.	
2	Move the robot to its calibration position.	

Continues on next page

	Action	Note
3	 DANGER Turn off all: <ul style="list-style-type: none"> • electric power supply • hydraulic pressure supply • air pressure supply to the robot, before entering the robot working area.	
4	Remove the covers from the base and the frame.	
5	Release the cable harness from below upwards to the lower arm by: <ul style="list-style-type: none"> • disconnecting all the connectors inside the base and the frame. • removing all cable ties and brackets inside the base and the frame. 	The cable layouts inside the base and the frame are shown in the figures: <ul style="list-style-type: none"> • Illustration, cabling inside base on page 162. • Illustration, cabling inside frame on page 161.
6	Push out the VK-cover from inside of the frame.	Shown in the figure Location of complete arm system on page 171.
7	 CAUTION The complete arm system weighs 55 kg. All lifting accessories used must be sized accordingly!	
8	Fit lifting slings to the upper arm to unload the weight of the complete arm system.	
9	Unscrew the 12 attachment screws and remove the one washer. Be careful when pulling the cabling through base, frame and lower arm. Use tape to bunch the connectors and protect them.	
10	Gently pull out the cabling from the frame and base while lifting away the complete arm system.	
11	Secure the cable harness to the arm system in a way that it is not damaged in the continued process.	
12	Check the <i>sealing ring</i> . Replace if damaged.	

Continues on next page


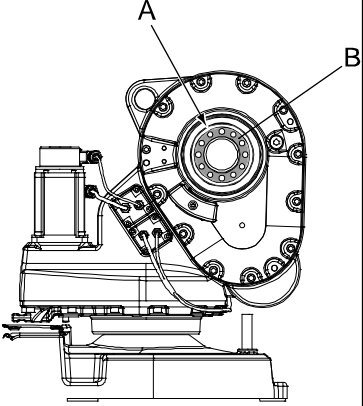

4 Repair

4.3.3 Replacement of complete arm system


Continued

Refitting, complete arm system

The procedure below details how to refit the complete arm system to the robot.

	Action	Note/Illustration
1	 DANGER Turn off all: <ul style="list-style-type: none"> • electric power supply • hydraulic pressure supply • air pressure supply to the robot, before entering the robot working area.	
2	Clean the mating surfaces on both the lower arm and on the frame with isopropanol. Also clean the area where the sealing ring is fitted, if it has been removed.	
3	Fit the <i>sealing ring</i> properly to the frame. Replace it if damaged.	Art. no. is specified in Required equipment on page 171 .  xx0400001245 <ul style="list-style-type: none"> • A: Sealing ring • B: Mating surface
4	Lubricate the attachment holes at the mating surface on the frame with Loctite 574.	
5	 CAUTION The complete arm system weighs 55 kg. All lifting accessories used must be sized accordingly!	
6	Fit the lifting slings to the complete arm system and lift it into position while inserting the cabling into the frame.	
7	Fit the lower arm against the frame, fit the one washer and secure with the 12 attachment screws.	12 pcs; M10 x 40, tightening torque: 70 Nm.
8	Refit the cabling inside the frame and the base.	Detailed in section Refitting, cable harness in frame and base on page 163 .
9	Fit a new <i>VK-cover</i> to the lower arm.	Art. no. is specified in Required equipment on page 171 .

Continues on next page

	Action	Note/Illustration
10	Recalibrate the robot!	<p>Pendulum Calibration is described in <i>Operating manual - Calibration Pendulum</i>, enclosed with the calibration tools.</p> <p>Axis Calibration is described in <i>Calibrating with Axis Calibration method on page 344</i>.</p> <p>General calibration information is included in section <i>Calibration on page 331</i>.</p>
11	 DANGER Make sure all safety requirements are met when performing the first test run.	

4 Repair

4.4.1 Replacing the complete upper arm, IRB 1600

4.4 Upper and lower arm

4.4.1 Replacing the complete upper arm, IRB 1600

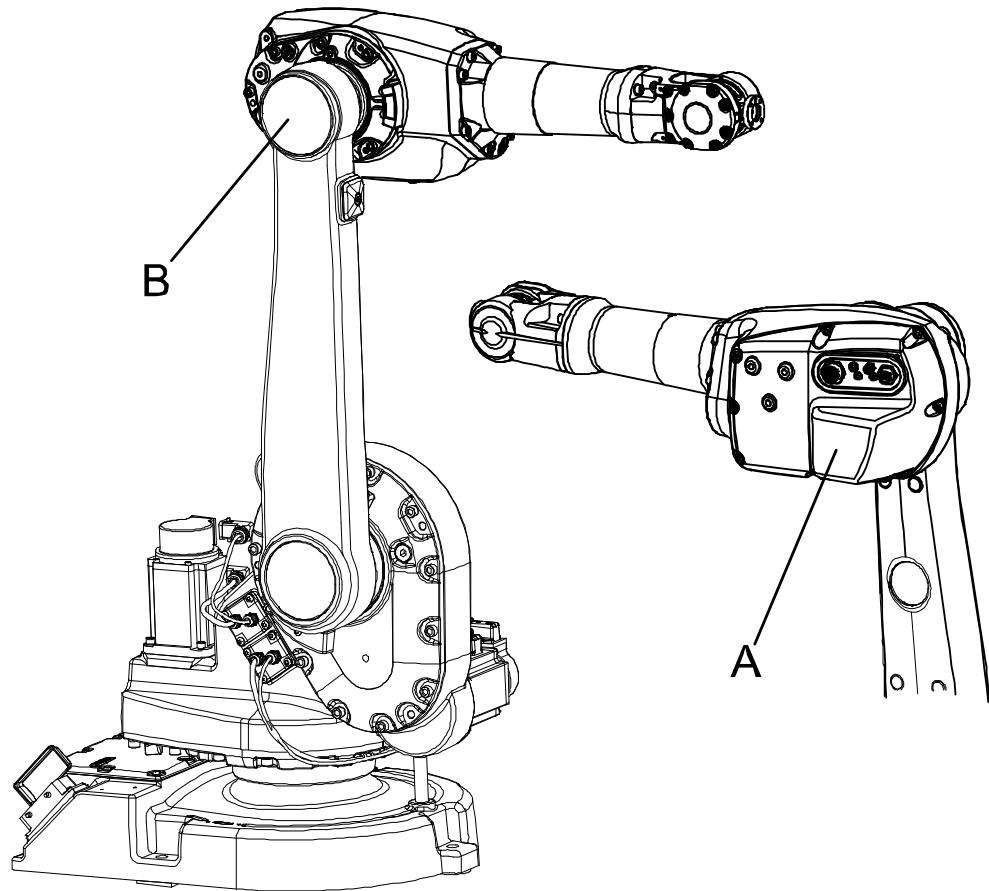
General

The complete upper arm is considered a spare part, including wrist, gearboxes and motors.

Location of upper arm

The figure below shows the location of the upper arm on the robot and some of the upper arm components.

A more detailed view of the upper arm may be found in the spare part view, see *Spare parts - Upper arm, exploded view*.



xx0400001218

A	Arm housing cover, including gaskets for the cover and the contact panel
B	VK cover. Upper arm attachment screws inside

Continues on next page

Required equipment

Equipment	Spare part no.	Art. no.	Note
Upper arm	For spare part number, see: <ul style="list-style-type: none"> • Spare part lists on page 387. 		Includes the wrist unit. All gearboxes are filled with oil at delivery. Note! This upper arm spare is interchangeable with upper arm spare with art. no. 3HAC 023630-001. But this change of upper arm requires software 5.07.01.
VK-cover	3HAA 2166-23		
Sealing ring (V-ring)	3HAB3732-19		Replace if damaged.
Gasket, upper arm cover	3HAC022049-001		Replace if damaged.
Gasket, customer connections	3HAC022050-001		Replace if damaged.
Grease		3HAB 3537-1	To lubricate the sealing ring (V-ring).
Locking liquid		-	Loctite 574
Lifting slings		-	
Standard toolkit			Content is defined in section Standard tools on page 383.
Other tools and procedures may be required. See references to these procedures in the step-by-step instructions below.			These procedures include references to the tools required.

**CAUTION**

Always cut the paint with a knife and grind the paint edge when disassembling parts. See [Cut the paint or surface on the robot before replacing parts on page 152.](#)

Deciding calibration routine

Decide which calibration routine to be used, based on the information in the table. Depending on which routine is chosen, action might be required prior to beginning the repair work of the robot, see the table.

	Action	Note
1	Decide which calibration routine to use for calibrating the robot. <ul style="list-style-type: none"> • Reference calibration. External cable packages (DressPack) and tools can stay fitted on the robot. • Fine calibration. All external cable packages (DressPack) and tools must be removed from the robot. 	

Continues on next page

4 Repair



4.4.1 Replacing the complete upper arm, IRB 1600

Continued

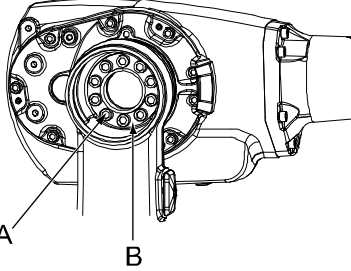
Action	Note
<p>If the robot is to be calibrated with reference calibration: Find previous reference values for the axis or create new reference values. These values are to be used after the repair procedure is completed, for calibration of the robot.</p> <p>If no previous reference values exist, and no new reference values can be created, then reference calibration is not possible.</p>	<p>Follow the instructions given in the reference calibration routine on the FlexPendant to create reference values.</p> <p>Creating new values requires possibility to move the robot.</p> <p>Read more about reference calibration for Axis Calibration in <i>Product manual - IRB 4600</i>.</p>
<p>If the robot is to be calibrated with fine calibration: Remove all external cable packages (DressPack) and tools from the robot.</p>	

Removal, complete upper arm

The procedure below details how to remove the complete upper arm from the robot.



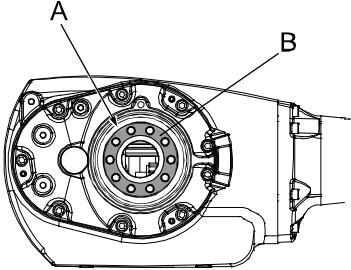
	Action	Note/Illustration
1	Decide which calibration routine to use, and take actions accordingly prior to beginning the repair procedure.	
2	Move the upper arm to a horizontal position.	
3	 DANGER Turn off all: <ul style="list-style-type: none"> • electric power supply • hydraulic pressure supply • air pressure supply to the robot, before entering the robot working area.	
4	Remove the <i>arm housing cover</i> from the upper arm.	Shown in the figure Location of upper arm on page 176 .
5	Disconnect all connectors inside the arm housing and loosen the cabling from straps and brackets.	The cabling and all connectors inside the upper arm housing are shown in the figure Illustration, cabling inside upper arm housing on page 159 .
6	Remove the <i>VK-cover</i> from the lower arm by pushing it out from the inside. Pull out the cabling from the arm housing.	Shown in the figure Location of upper arm on page 176 .
7	Secure the weight of the arm with lifting slings.	
8	 CAUTION The complete upper arm weighs 55 kg without any additional equipment fitted! All lifting accessories used must be sized accordingly!	

Continues on next page

	Action	Note/Illustration
9	Remove the 10 attachment screws (A) and the single washer (B).	 <p>xx0400001219</p>
10	Remove the upper arm, lift it away and place it securely.	

Refitting, complete upper arm

The procedure below details how to refit the complete upper arm to the robot.

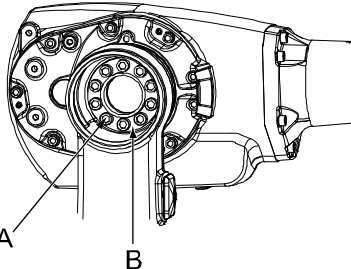

	Action	Note/Illustration
1	 DANGER Turn off all: <ul style="list-style-type: none"> • electric power supply • hydraulic pressure supply • air pressure supply to the robot, before entering the robot working area.	
2	Wipe the contact surfaces clean on both the upper and lower arm.	
3	 CAUTION The complete upper arm weighs 55 kg without any additional equipment fitted! All lifting accessories used must be sized accordingly!	
4	Attach lifting slings to the upper arm and lift it.	
5	Lubricate the <i>sealing ring</i> (A) with <i>grease</i> and fit it to the upper arm. Replace the sealing ring, if damaged.	 <p>xx0400001220</p> <ul style="list-style-type: none"> • A: Sealing ring, spare part no. is specified in Required equipment on page 177. • B: Contact surface.

Continues on next page

4 Repair

4.4.1 Replacing the complete upper arm, IRB 1600

Continued

	Action	Note/Illustration
6	Lubricate the the contact surface, upper arm, with Loctite 574.	
7	Lift the upper arm to mounting position, fit the washer (B) and secure the upper arm with the 10 attachment screws (A).	10 pcs: M10 x 40. Tightening torque: 70 Nm.  xx0400001219
8	Run the cabling through the lower arm and into the arm housing.	
9	Connect all the connectors in the arm housing and secure the cabling with brackets and straps.	Refitting of the cabling in the upper arm housing is further detailed in section Refitting, cable harness in upper arm housing and lower arm on page 160 .
10	Refit the <i>arm housing cover</i> to the upper arm. Check the two <i>gaskets</i> in the cover and replace them, if damaged.	Shown in the figure Location of upper arm on page 176 . Spare part no. is specified in section Required equipment on page 177 .
11	Refit a new <i>VK-cover</i> to the lower arm.	Shown in the figure Location of upper arm on page 176 . Spare part no. is specified in section Required equipment on page 177 .
12	Recalibrate the robot!	Pendulum Calibration is described in <i>Operating manual - Calibration Pendulum</i> , enclosed with the calibration tools. Axis Calibration is described in Calibrating with Axis Calibration method on page 344 . General calibration information is included in section Calibration on page 331 .
13	 DANGER Make sure all safety requirements are met when performing the first test run.	

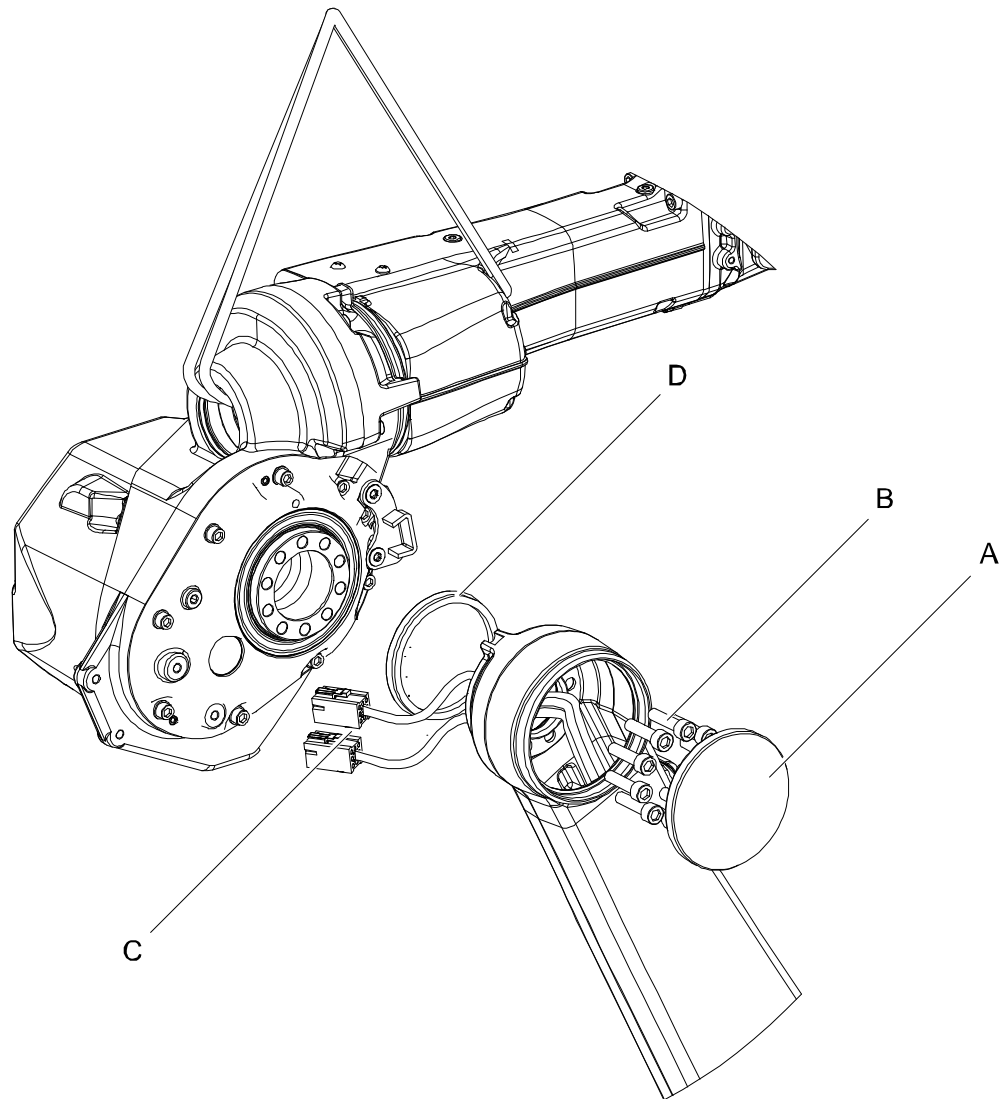
4.4.2 Replacing the complete upper arm, IRB 1600ID/1660ID

**Note**

Recalibration of robot axis 3-6 is required after replacement of upper arm.

Location of the complete upper arm

The complete upper arm is considered a spare part, including wrist, gearboxes and motors. The figure below shows the location of the upper arm and connection to the lower arm.



xx070000045

A	VK -Cover
B	Socket head cap screw M10x40
C	Cable harness
D	V-ring

Continues on next page

4 Repair

4.4.2 Replacing the complete upper arm, IRB 1600ID/1660ID

Continued

Required equipment

Equipment	Art. no.	Note
Upper arm, spare	For spare part number, see: <ul style="list-style-type: none"> • Spare part lists on page 387. 	Includes the wrist unit. All gearboxes are filled with oil at delivery.
VK-cover	3HAA2166-23	
Gasket, customer connections	3HAC 022050-001	Replace if damaged
Torx pan head screw	3HAC080811-001	M6 x 12 (glue)
Standard toolkit	-	Content is defined in section Standard tools on page 383.



CAUTION

Always cut the paint with a knife and grind the paint edge when disassembling parts. See [Cut the paint or surface on the robot before replacing parts on page 152.](#)

Deciding calibration routine

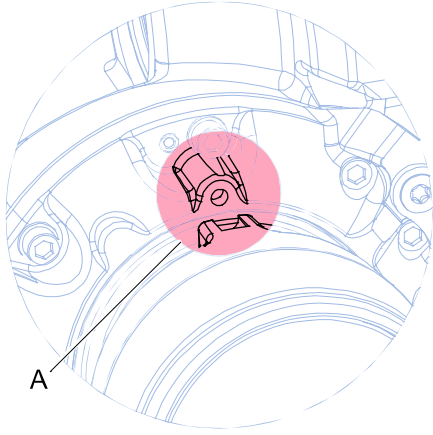

Decide which calibration routine to be used, based on the information in the table. Depending on which routine is chosen, action might be required prior to beginning the repair work of the robot, see the table.

	Action	Note
1	Decide which calibration routine to use for calibrating the robot. <ul style="list-style-type: none"> • Reference calibration. External cable packages (DressPack) and tools can stay fitted on the robot. • Fine calibration. All external cable packages (DressPack) and tools must be removed from the robot. 	
	If the robot is to be calibrated with reference calibration: Find previous reference values for the axis or create new reference values. These values are to be used after the repair procedure is completed, for calibration of the robot. If no previous reference values exist, and no new reference values can be created, then reference calibration is not possible.	Follow the instructions given in the reference calibration routine on the FlexPendant to create reference values. Creating new values requires possibility to move the robot. Read more about reference calibration for Axis Calibration in <i>Product manual - IRB 4600</i> .
	If the robot is to be calibrated with fine calibration: Remove all external cable packages (DressPack) and tools from the robot.	

Continues on next page

Removing the complete upper arm

Use this procedure to remove the complete upper arm.

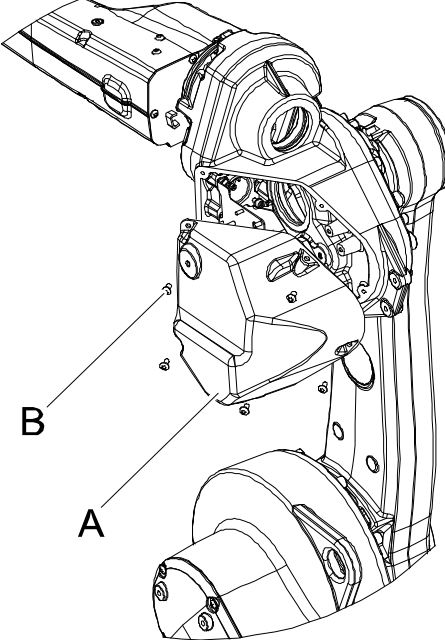

	Action	Note
1	Decide which calibration routine to use, and take actions accordingly prior to beginning the repair procedure.	
2	Put the robot in synchronization position for Axis 3.	 <p data-bbox="986 965 1098 981">xx070000075</p> <p data-bbox="1018 999 1378 1025">A Synchronization mark Axis 3</p>
3	 <p data-bbox="580 1077 687 1104">DANGER</p> <p data-bbox="491 1137 619 1160">Turn off all:</p> <ul data-bbox="523 1171 852 1263" style="list-style-type: none"> • electric power supply • hydraulic pressure supply • air pressure supply <p data-bbox="491 1272 975 1323">to the robot, before entering the robot working area.</p>	

Continues on next page

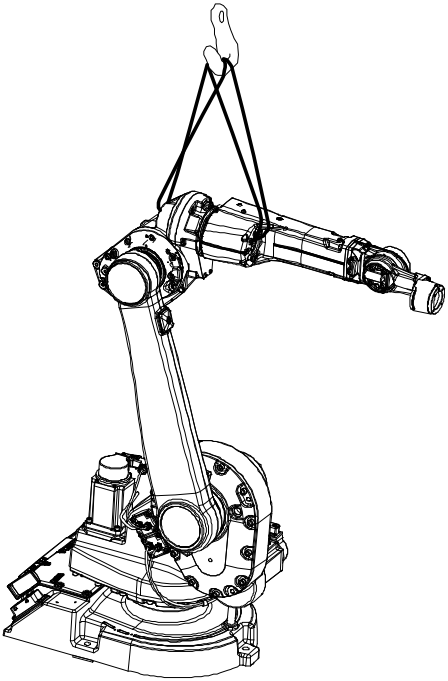
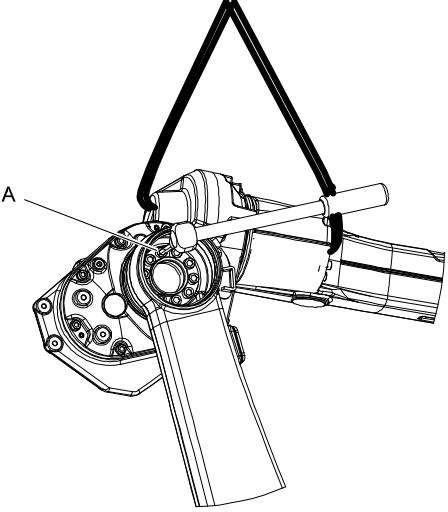
4 Repair

4.4.2 Replacing the complete upper arm, IRB 1600ID/1660ID

Continued

	Action	Note
4	Remove the <i>cover arm housing</i> .	 <p>xx070000077</p> <p>A Cover Arm Housing B Torx pan head screw</p>
5	Disconnect all connectors inside the arm-house and loosen the cabling from straps and brackets.	Described in section Replacing the cable harness, IRB 1600 on page 155
6	 CAUTION The robot upper arm weighs 39 kg. All lifting accessories used must be sized accordingly!	

Continues on next page

	Action	Note
7	<p>Secure the weight of the upper arm with a roundsling.</p> <p>Apply the roundsling through the hole in the upper arm. See figure!</p>	 <p>xx0700000060</p>
8	<p>Knock out the VK-cover from the motor side.</p>	
9	<p>Remove the 10 attachment screws (A) and the single washer, use standard tools.</p>	 <p>xx0700000057</p> <p>A Socket head cap screw M10x40</p>
10	<p>Carefully lift away the upper arm and put it somewhere safe.</p>	

Continues on next page


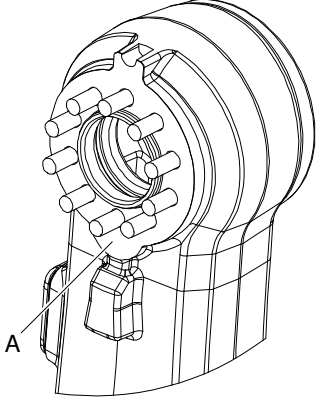
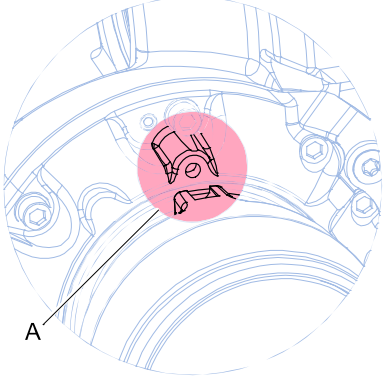
4 Repair

4.4.2 Replacing the complete upper arm, IRB 1600ID/1660ID

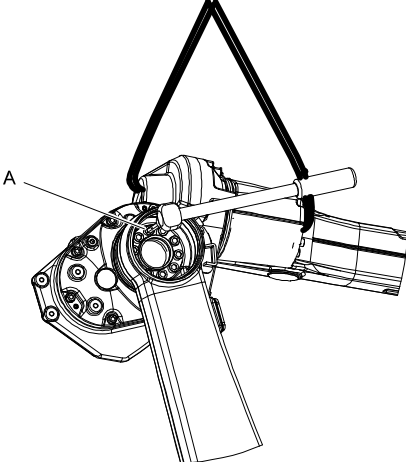
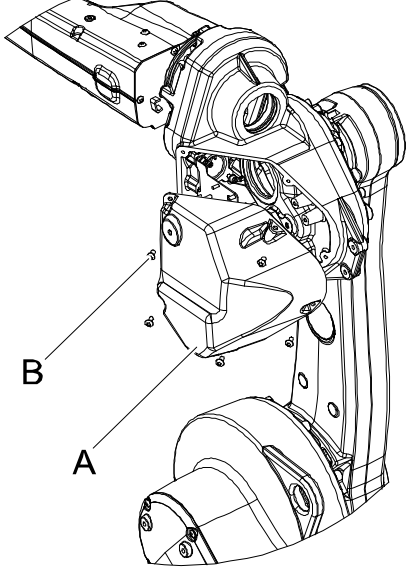
Continued

Refitting the complete upper arm

Use this procedure to refit the complete upper arm.

	Action	Note
1	 CAUTION The robot upper arm weighs 39 kg. All lifting accessories used must be sized accordingly!	
2	Attach a roundsling to the upper arm and lift it.	
3	Clean the contact surface.	 <p data-bbox="995 1111 1102 1126">xx0700000076</p> <p data-bbox="1031 1144 1251 1171">A Contact surface.</p>
4	Carefully refit the upper arm to the lower arm, making sure that the new upper arm is mounted in the synchronization position.	 <p data-bbox="995 1599 1102 1615">xx0700000075</p> <p data-bbox="1031 1637 1390 1664">A Synchronization mark Axis 3</p>

Continues on next page


Action	Note
<p>5 Refit the 10 attachment screws (A) and the single washer, use standard tools. Tightening torque: 70 Nm.</p>	 <p>xx0700000057</p> <p>A Socket head cap screw M10x40</p>
<p>6 Run the cabling through the lower arm and into the arm housing.</p>	
<p>7 Connect all the connectors in the armhouse and secure the cabling with brackets and straps.</p>	
<p>8 Refit the cover arm housing to the upper arm <i>Standard tools on page 383.</i></p>	 <p>xx0700000077</p> <p>A Cover Arm Housing B Torx pan head screw</p>
<p>9 Refit a new VK-cover to the lower arm. replace it, if damaged.</p>	<p>Spare part no. is specified in <i>Required equipment on page 182.</i></p>

Continues on next page

4 Repair

4.4.2 Replacing the complete upper arm, IRB 1600ID/1660ID

Continued

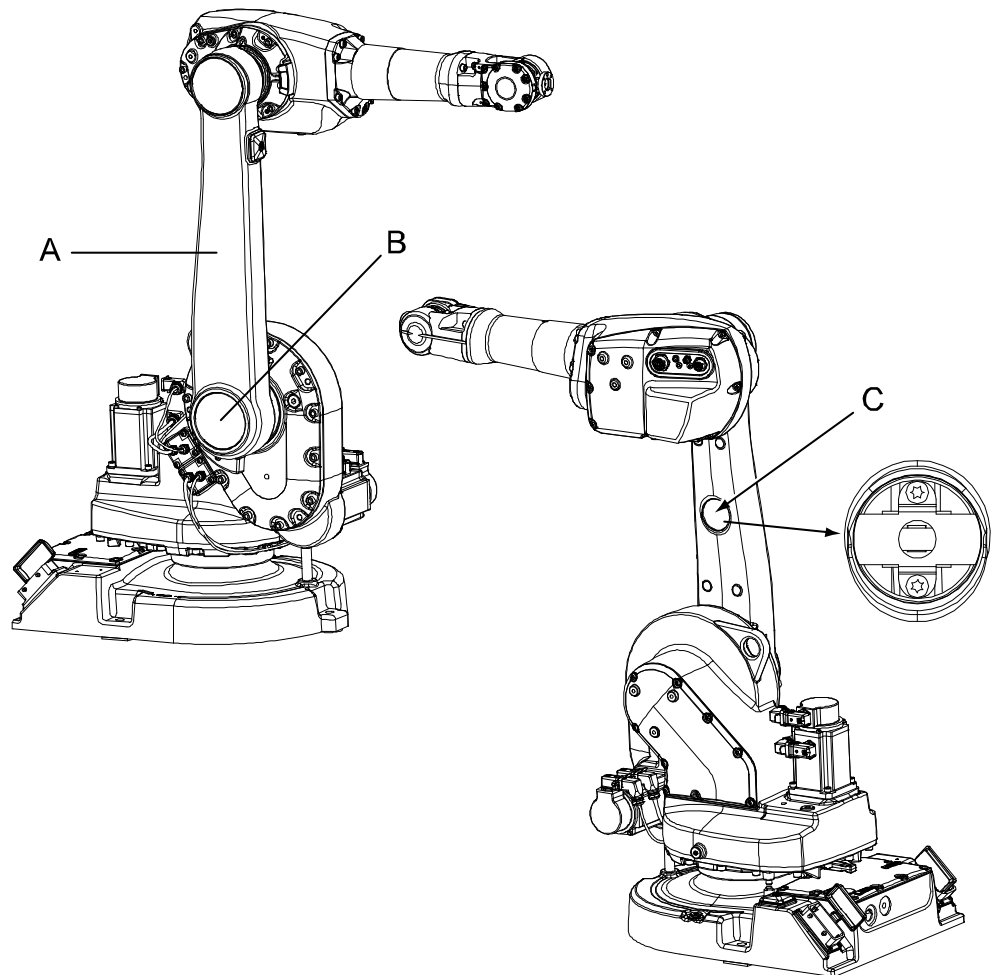
	Action	Note
10	Recalibrate the robot.	Pendulum Calibration is described in <i>Operating manual - Calibration Pendulum</i> , enclosed with the calibration tools. Axis Calibration is described in <i>Calibrating with Axis Calibration method on page 344</i> . General calibration information is included in section <i>Calibration on page 331</i> .
11	 DANGER Make sure all safety requirements are met when performing the first test run.	

4.4.3 Replacing the complete lower arm

Location of lower arm

The lower arm is located on the robot as shown in the figure.

A more detailed view of the lower arm may be found in the spare part view, *Spare parts - Lower arm, exploded view*.



xx0400001246

A	Lower arm
B	VK-cover
C	VK-cover, middle

Required equipment

Equipment	Art. no.	Note
Lower arm	See Spare part lists on page 387 .	
VK-cover	3HAA2166-23	
VK-cover	3HAA2166-21	In the middle of the lower arm.

Continues on next page

4 Repair

4.4.3 Replacing the complete lower arm

Continued

Equipment	Art. no.	Note
Sealing ring (V-ring)	3HAB3732-13	Replace if damaged.
Isopropanol	-	Used to clean the mating surfaces.
Locking liquid	-	Loctite 574
Standard toolkit	-	Content is defined in section Standard tools on page 383 .
Other tools and procedures may be required. See references to these procedures in the step-by-step instructions below.		These procedures include references to the tools required.



CAUTION

Always cut the paint with a knife and grind the paint edge when disassembling parts. See [Cut the paint or surface on the robot before replacing parts on page 152](#).

Deciding calibration routine



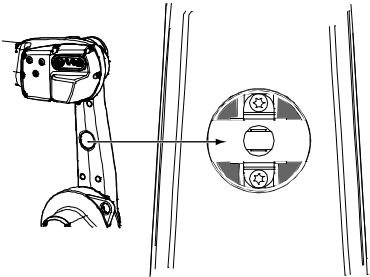

Decide which calibration routine to be used, based on the information in the table. Depending on which routine is chosen, action might be required prior to beginning the repair work of the robot, see the table.

	Action	Note
1	<p>Decide which calibration routine to use for calibrating the robot.</p> <ul style="list-style-type: none"> Reference calibration. External cable packages (DressPack) and tools can stay fitted on the robot. Fine calibration. All external cable packages (DressPack) and tools must be removed from the robot. 	
	<p>If the robot is to be calibrated with reference calibration:</p> <p>Find previous reference values for the axis or create new reference values. These values are to be used after the repair procedure is completed, for calibration of the robot.</p> <p>If no previous reference values exist, and no new reference values can be created, then reference calibration is not possible.</p>	<p>Follow the instructions given in the reference calibration routine on the FlexPendant to create reference values.</p> <p>Creating new values requires possibility to move the robot.</p> <p>Read more about reference calibration for Axis Calibration in <i>Product manual - IRB 4600</i>.</p>
	<p>If the robot is to be calibrated with fine calibration:</p> <p>Remove all external cable packages (DressPack) and tools from the robot.</p>	

Continues on next page

Removing the lower arm

Use this procedure to remove the lower arm.

	Action	Note
1	Decide which calibration routine to use, and take actions accordingly prior to beginning the repair procedure.	
2	 DANGER Turn off all: <ul style="list-style-type: none"> • electric power supply • hydraulic pressure supply • air pressure supply to the robot, before entering the robot working area.	
3	Remove the complete upper arm.	See section Replacing the complete upper arm, IRB 1600ID/1660ID on page 181 .
4	Remove the VK-covers.  CAUTION Be careful not to damage the cabling and cable bracket inside the lower arm when removing the middle VK-cover! The figure to the right shows the space underneath the cover. The gray areas are safe for insertion of a tool that may be inserted with a maximum depth of 20 mm!	Shown in the figure Location of lower arm on page 189 .  xx0400001247
5	Pull down the cabling through the lower arm and pull it out.	
6	 CAUTION The robot lower arm weighs 20 kg. All lifting accessories used must be sized accordingly!	
7	Fit the lifting device to the lower arm to secure the weight of the arm.	
8	Unscrew the 12 attachment screws and remove the single washer.	
9	Gently pull out the cabling while lifting away the lower arm. Be careful with the connectors, they are sensitive to damage!	
10	Check the <i>sealing ring</i> . Replace it if damaged.	Spare part no. is specified in Required equipment on page 189 .

Continues on next page

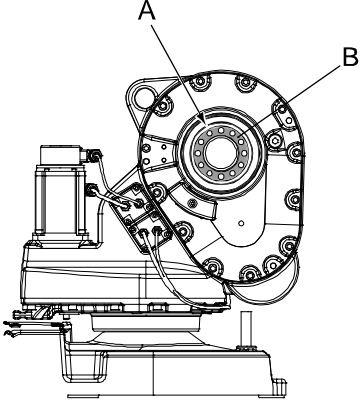

4 Repair

4.4.3 Replacing the complete lower arm


Continued

Refitting the lower arm

Use this procedure to refit the complete lower arm.

	Action	Note
1	Clean the mating surfaces on both the lower arm and on the frame with isopropanol. Also clean the area where the sealing ring is fitted.	
2	Fit the <i>sealing ring</i> properly to the frame. Replace it if damaged.	<p>Spare part no. is specified in Required equipment on page 189.</p>  <p>xx0400001245</p> <ul style="list-style-type: none"> • A: Sealing ring • B: Mating surface
3	Lubricate the mating surface on the frame with Loctite 574.	
4	 CAUTION The robot lower arm weighs 20 kg. All lifting accessories used must be sized accordingly!	
5	Fit the lifting device to the lower arm and lift it into position.	
6	Insert the cabling into the lower arm.	
7	Fit the lower arm against the frame, fit the washer and secure with the 12 attachment screws.	12 pcs; M10 x 40, tightening torque: 70 Nm.
8	Push the cabling up through the lower arm and place the cable bracket inside the lower arm correctly.	
9	Fit new <i>VK-covers</i> to the lower arm. Make sure that the cable bracket inside the lower arm is secured beneath the middle <i>VK-cover</i> .	Spare part no. is specified in Required equipment on page 189 .
10	Refit the upper arm.	See section Replacing the complete upper arm, IRB 1600ID/1660ID on page 181 .

Continues on next page

	Action	Note
11	Recalibrate the robot!	<p>Pendulum Calibration is described in <i>Operating manual - Calibration Pendulum</i>, enclosed with the calibration tools.</p> <p>Axis Calibration is described in Calibrating with Axis Calibration method on page 344.</p> <p>General calibration information is included in section Calibration on page 331.</p>
12	 <p>DANGER</p> <p>Make sure all safety requirements are met when performing the first test run.</p>	

4 Repair

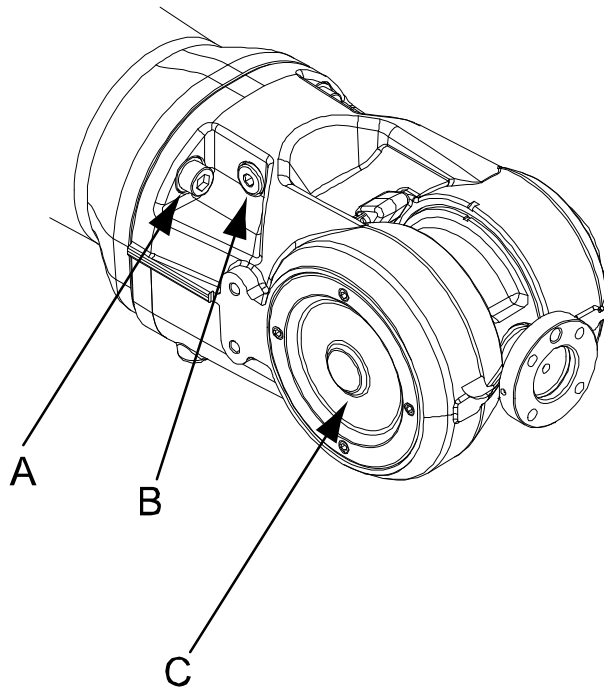
4.4.4 Replacing the wrist unit, IRB 1600

4.4.4 Replacing the wrist unit, IRB 1600

Location of wrist unit

The wrist unit is located in the frontmost part of the upper arm.

A more detailed view of the upper arm, including the wrist unit, is found in the spare part view, see *Spare parts - Upper arm, exploded view*.



xx0600002847

A	Attachment screws, wrist unit (3 pcs)
B	Oil plug (only one shown)
C	Wrist unit

Required equipment

Equipment, etc.	Spare part no.	Art. no.	Note
Wrist Standard/Foundry	3HAC027003-001		Standard and Foundry versions. O-ring sealing plate not included! Note! The wrist, standard/Foundry is not interchangeable with art. no. 3HAC 10475-1!
O-ring sealing plate	3HAC025420-001		Must be replaced. Note! The o-ring sealing plate is not interchangeable with art.no. 3HAC 7191-1!
Grease		3HAC 3537-1	For lubricating the o-ring sealing plate.
Standard toolkit			Content is defined in section Standard tools on page 383 .

Continues on next page

Equipment, etc.	Spare part no.	Art. no.	Note
Other tools and procedures may be required. See references to these procedures in the step-by-step instructions below.			These procedures include references to the tools required.

**CAUTION**

Always cut the paint with a knife and grind the paint edge when disassembling parts. See [Cut the paint or surface on the robot before replacing parts on page 152](#).

Deciding calibration routine

Decide which calibration routine to be used, based on the information in the table. Depending on which routine is chosen, action might be required prior to beginning the repair work of the robot, see the table.

	Action	Note
1	Decide which calibration routine to use for calibrating the robot. <ul style="list-style-type: none"> Reference calibration. External cable packages (DressPack) and tools can stay fitted on the robot. Fine calibration. All external cable packages (DressPack) and tools must be removed from the robot. 	
	If the robot is to be calibrated with reference calibration: Find previous reference values for the axis or create new reference values. These values are to be used after the repair procedure is completed, for calibration of the robot. If no previous reference values exist, and no new reference values can be created, then reference calibration is not possible.	Follow the instructions given in the reference calibration routine on the FlexPendant to create reference values. Creating new values requires possibility to move the robot. Read more about reference calibration for Axis Calibration in <i>Product manual - IRB 4600</i> .
	If the robot is to be calibrated with fine calibration: Remove all external cable packages (DressPack) and tools from the robot.	

Removal, wrist unit

The procedure below details how to remove the complete wrist unit.



	Action	Note
1	Decide which calibration routine to use, and take actions accordingly prior to beginning the repair procedure.	

Continues on next page

4 Repair


4.4.4 Replacing the wrist unit, IRB 1600

Continued

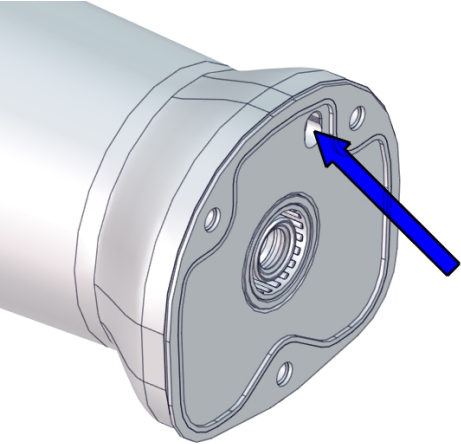

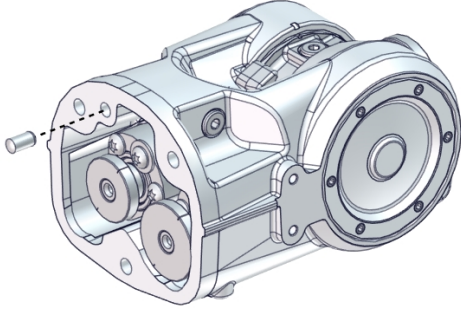
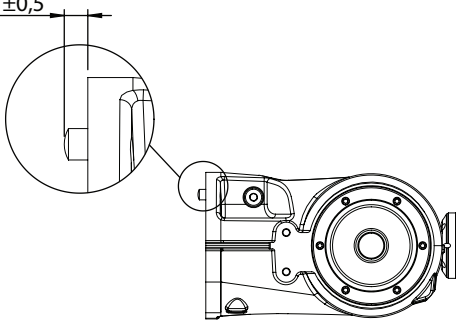
	Action	Note
2	 DANGER Turn off all: <ul style="list-style-type: none">• electric power supply• hydraulic pressure supply• air pressure supply to the robot, before entering the robot working area.	
3	 CAUTION Always cut the paint with a knife and grind the paint edge when disassembling parts. See <i>Cut the paint or surface on the robot before replacing parts on page 152.</i>	
4	Drain the oil from the wrist unit.	Detailed in section <i>Changing the oil in axes 5 and 6 gearboxes on page 131.</i>
5	Remove the wrist unit by unscrewing its three attachment screws.	Shown in the figure in section <i>Location of wrist unit on page 194.</i>

Refitting, wrist unit

The procedure below details how to refit the complete wrist unit.

	Action	Note
1	Clean the joints that have been opened. See <i>Cut the paint or surface on the robot before replacing parts on page 152</i>	
2	Move the robot to a position where the upper arm is vertical.	
3	 DANGER Turn off all: <ul style="list-style-type: none">• electric power supply• hydraulic pressure supply• air pressure supply to the robot, before entering the robot working area.	

Continues on next page



	Action	Note
4	<p>With the new spare part wrist there is a parallel pin enclosed.</p> <p>The parallel pin must be installed on the wrist if the robot is calibrated with the Axis Calibration method.</p> <p>If the calibration method is unknown, look at the tubular shaft interface. If it has an elongated hole, install the parallel pin into the wrist, according to the next step.</p>	 <p>xx170000117</p>
5	<p>If the robot is calibrated with Axis Calibration, fit the parallel pin into the corresponding hole in the wrist.</p> <p> Note</p> <p>If the parallel pin is not installed on a robot calibrated with Axis Calibration, the calibration result will be affected negatively.</p>	 <p>xx170000118</p> <p>Verify that the parallel pin sticks out from the wrist according to the measurement given below.</p> <p>$6 \pm 0,5$</p>  <p>xx170000119</p>
6	<p>Lightly lubricate the o-ring sealingplate with <i>grease</i>.</p>	<p>Art. no. is specified in section Required equipment on page 194.</p>
7	<p>In order to release the brake, connect the 24 VDC power supply to motors:</p>	<p>Connect to connector R3.MP5 or 6:</p> <ul style="list-style-type: none"> • +: pin 7 • -: pin 8
8	<p>Fit the <i>o-ring sealingplate</i> to the upper arm. Fit the <i>wrist unit</i> to the upper arm with the three attachment screws, while making sure that the gears mate properly.</p>	<p>Use a new o-ring! Spare part no. is specified in Required equipment on page 194.</p> <p>3 pcs, M8 x 25, tightening torque: 28 Nm.</p>

Continues on next page

4 Repair

4.4.4 Replacing the wrist unit, IRB 1600

Continued

	Action	Note
9	Perform a leak-down test.	Detailed in section Performing a leak-down test on page 146 .
10	Refill the wrist unit with oil.	Detailed in section Changing the oil in axes 5 and 6 gearboxes on page 131 .
11	<p>Seal and paint the joints that have been opened. See Cut the paint or surface on the robot before replacing parts on page 152</p> <p> Note</p> <p>After all repair work, wipe the robot free from particles with spirit on a lint free cloth.</p>	
12	Recalibrate the robot!	<p>Pendulum Calibration is described in <i>Operating manual - Calibration Pendulum</i>, enclosed with the calibration tools.</p> <p>Axis Calibration is described in Calibrating with Axis Calibration method on page 344.</p> <p>General calibration information is included in section Calibration on page 331.</p>
13	<p> DANGER</p> <p>Make sure all safety requirements are met when performing the first test run.</p>	

4.4.5 Replacing the wrist unit, IRB 1600ID

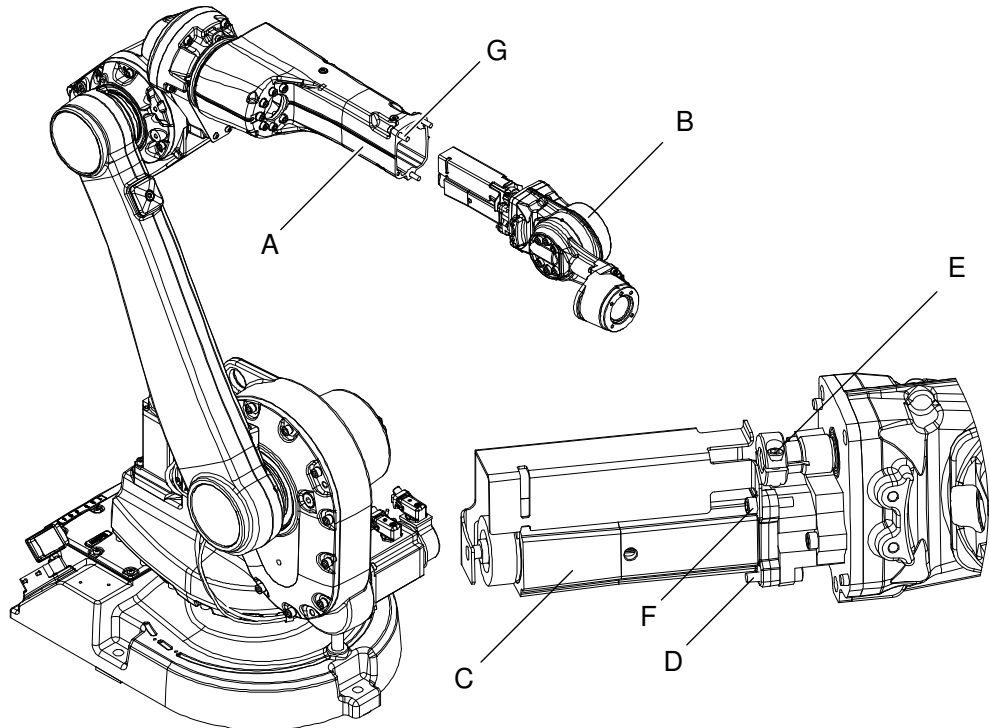


Note

After replacement of motors/motor or gearbox in a manipulator, recalibration is required.

Location of wrist unit

The wrist unit is located in the frontmost part of the upper arm.



xx070000025

A	Upper arm
B	Wrist
C	Motor axis 6
D	Hexagon socket head screw M5x25
E	Hexagon socket head screw M5X16 (10.9) (Short head)
F	Hexagon socket head screw M5x25
G	Hexagon socket head screw M8x35

Required equipment

Equipment	Art. No.	Note
Wrist, ID	See Spare part lists on page 387 .	
O-ring		

Continues on next page

4 Repair

4.4.5 Replacing the wrist unit, IRB 1600ID

Continued

Equipment	Art. No.	Note
Grease	3HAC3537-1	For lubricating the o-ring sealing plate.
Arm	3HAC9037-1	For adjusting the gear play, motor/pinion.
Loctite 242	1269-0014-410	
Standard toolkit		Content is defined in section Standard tools on page 383 .
Other tools and procedures may be required. See references to these procedures in the step-by-step instructions below.		These procedures include references to the tools required.



CAUTION

Always cut the paint with a knife and grind the paint edge when disassembling parts. See [Cut the paint or surface on the robot before replacing parts on page 152](#).

Deciding calibration routine


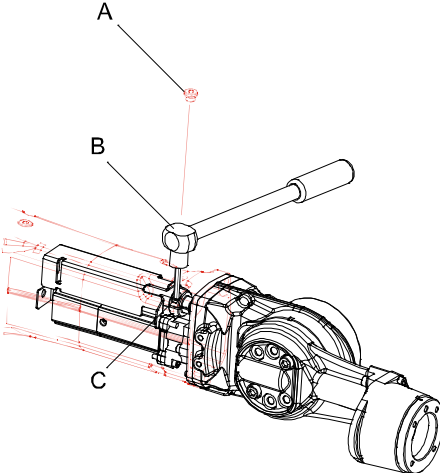
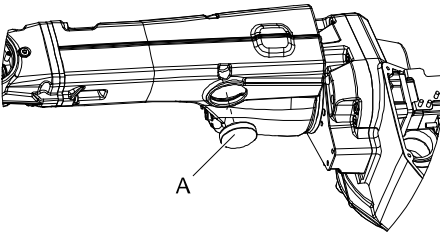
Decide which calibration routine to be used, based on the information in the table. Depending on which routine is chosen, action might be required prior to beginning the repair work of the robot, see the table.

	Action	Note
1	<p>Decide which calibration routine to use for calibrating the robot.</p> <ul style="list-style-type: none"> Reference calibration. External cable packages (DressPack) and tools can stay fitted on the robot. Fine calibration. All external cable packages (DressPack) and tools must be removed from the robot. 	
	<p>If the robot is to be calibrated with reference calibration:</p> <p>Find previous reference values for the axis or create new reference values. These values are to be used after the repair procedure is completed, for calibration of the robot.</p> <p>If no previous reference values exist, and no new reference values can be created, then reference calibration is not possible.</p>	<p>Follow the instructions given in the reference calibration routine on the FlexPendant to create reference values.</p> <p>Creating new values requires possibility to move the robot.</p> <p>Read more about reference calibration for Axis Calibration in <i>Product manual - IRB 4600</i>.</p>
	<p>If the robot is to be calibrated with fine calibration:</p> <p>Remove all external cable packages (DressPack) and tools from the robot.</p>	

Continues on next page

Removing the wrist unit

Use this procedure to remove the complete wrist unit.

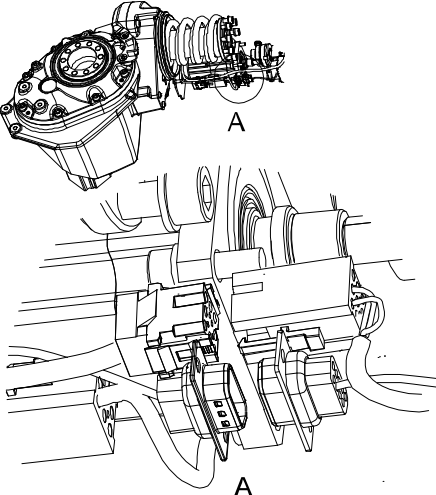
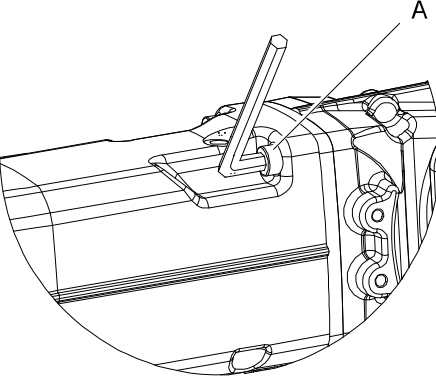

	Action	Note
1	Decide which calibration routine to use, and take actions accordingly prior to beginning the repair procedure.	
2	 <p>DANGER</p> <p>Turn off all:</p> <ul style="list-style-type: none"> • electric power supply • hydraulic pressure supply • air pressure supply <p>to the robot, before entering the robot working area.</p>	
3	Remove all extra equipment fitted on upper arm and wrist.	Shown in Remove AW Gun on page 222
4	The plug (A) in figure covering the screw (C). Remove the plug using standard tools (B). Remove the screw for looking of motor axis 5, (C) in figure Location of wrist unit on page 199 .	 <p>xx0700000092</p> <p>A Plug B Standard tool, Standard tools on page 383 C Hexagon socket head screw M5X16 (Short head)</p>
5	Remove the VK-Cover.	 <p>xx0700000054</p> <p>A VK-Cover</p>
6	Gently pull the cables out through the hole for the VK- cover in the armtube.	

Continues on next page

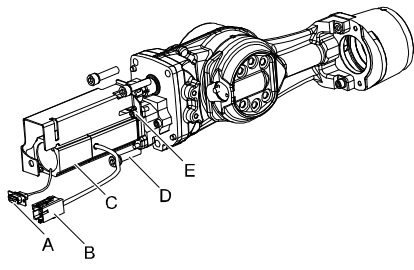
4 Repair

4.4.5 Replacing the wrist unit, IRB 1600ID

Continued


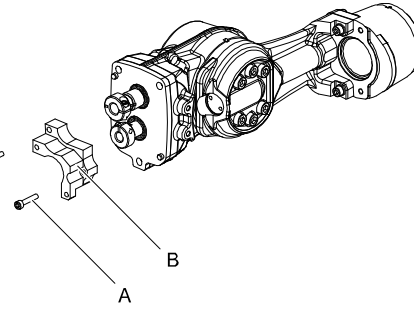
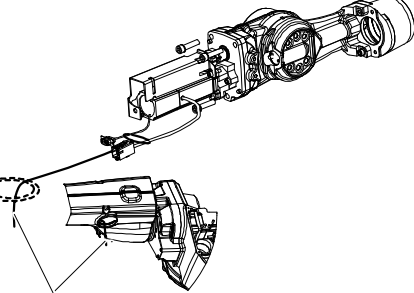
Action	Note
7 Disconnect the connectors R4.FB6 and R4.MP6 to motor axis 6, through the hole for the VK cover.	 <p>xx070000053</p> <ul style="list-style-type: none">• A: Connectors R4.FB6 & R4.MP6
8 Remove the attachment screws securing the wrist.	 <p>xx070000052</p> <ul style="list-style-type: none">• A: Hex socket head cap screw M8x35 quality 8.8-A2F (3 pcs)
9 Remove the wrist with motor 6 from the upper arm tube and put it on a work bench or similar.  CAUTION Be careful when handling the wrist. Always hold on the casting, do not hold on the wrist cover. This can damage the sealing which will cause oil leakage.	

Continues on next page

Action	Note
<p>10 Remove the three screws, hexagon socket head screw M5x25 (E) securing the motor axis 6 and remove the motor (C).</p>	 <p>xx0700000091</p> <p>A: Contact R4.FB6 B: Contact R4.MP6 C: Motor axis 6 D: Hexagon socket head screw M8x35 F: Hexagon socket head screw M5x25</p>

Refitting the wrist unit

Use this procedure to refit the complete wrist unit.


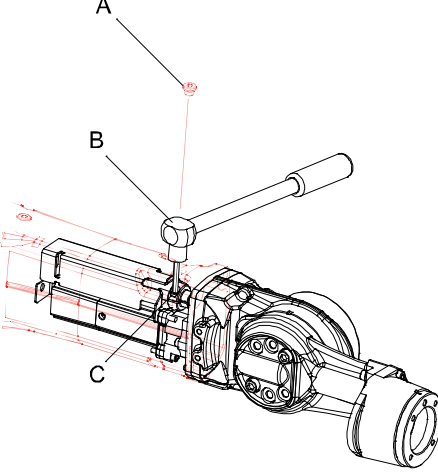

Action	Note
<p>1  Note</p> <p>Remove the console from the old motor and scrap it. The new console shall be fitted to the axis-6 motor. See .</p>	 <p>xx0700000353</p> <p>A Hex socket head cap screw M5x25 B Motor Console</p>
<p>2 Apply a string or similar to the cable harness and run it out through the hole for the VK cover.</p>	
<p>3 Carefully fit the wrist (with motor axis 6 fitted) to the upper arm tube, using the string to pull the cable harness back through the hole for the VK cover.</p>	 <p>xx0700000093</p> <p>A: String</p>

Continues on next page

4 Repair

4.4.5 Replacing the wrist unit, IRB 1600ID

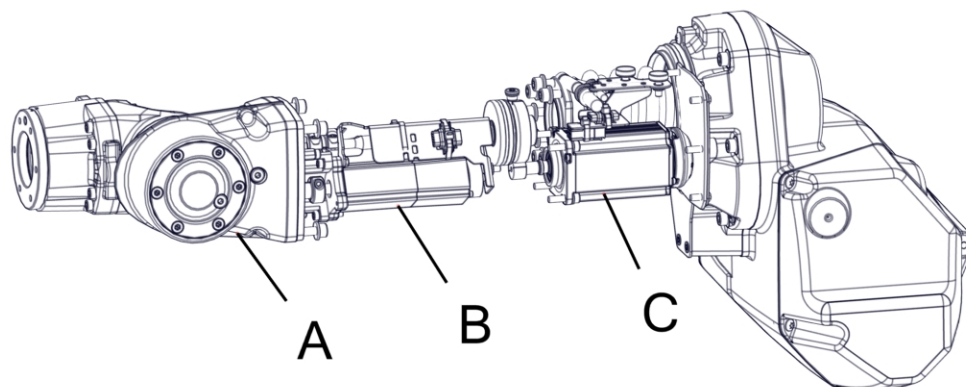
Continued

	Action	Note
4	Use standard tools to refit the three hexagon socket head screw (M8x35).	Shown as (H) in figure Location of wrist unit on page 199 . Tightening torque 24 Nm
5	Reconnect connectors R4.FB6 and R4.MP6, through the hole for the VK cover.	 Note When reconnecting the connectors R4.FB6 and R4.MP6, make sure to push the connectors towards the wrist as far away from the axis 5-6 cable spiral as possible, to avoid grease to accumulate on the resolver connector.
6	Tighten the hexagon socket head screw M5X16 (Short head).	Shown as (E) in figure Location of wrist unit on page 199 . Tightening torque 6 Nm
7	Refit the VK cover.	
8	Tightening the plug (A). Tightening torque 6 Nm	 <p>xx070000092</p>
9	Refit the AW equipment in the upper arm.	Shown in Refitting the wrist unit on page 203
10	Recalibrate the robot.	Pendulum Calibration is described in Operating manual - Calibration Pendulum , enclosed with the calibration tools. Axis Calibration is described in Calibrating with Axis Calibration method on page 344 . General calibration information is included in section Calibration on page 331 .
11	 DANGER Make sure all safety requirements are met when performing the first test run.	

4.4.6 Replacing the wrist unit, IRB1660ID

Location of wrist unit

The wrist unit is located in the frontmost part of the upper arm, as shown in the figure.



xx1500002930

A	Wrist
B	Motor axis 6
C	Motor axis 5

Required equipment

Equipment	Art. no.	Note
Motor, axis 6	For spare part number, see: <ul style="list-style-type: none"> Spare part lists on page 387. 	
Wrist unit, ID	For spare part number, see: <ul style="list-style-type: none"> Spare part lists on page 387 	
VK-cover	3HAA2166-18	Always replace with a new when removed.
Locking liquid	-	Loctite 574
Standard toolkit		Content is defined in section Standard tools on page 383.
Other tools and procedures may be required. See references to these procedures in the step-by-step instructions below.		These procedures include references to the tools required.



CAUTION

Always cut the paint with a knife and grind the paint edge when disassembling parts. See [Cut the paint or surface on the robot before replacing parts on page 152.](#)

Continues on next page

4 Repair

4.4.6 Replacing the wrist unit, IRB1660ID

Continued


Deciding calibration routine

Decide which calibration routine to be used, based on the information in the table. Depending on which routine is chosen, action might be required prior to beginning the repair work of the robot, see the table.

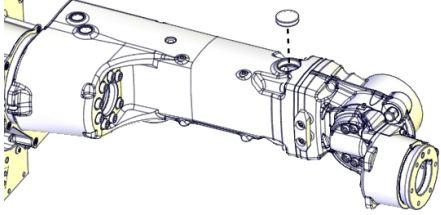
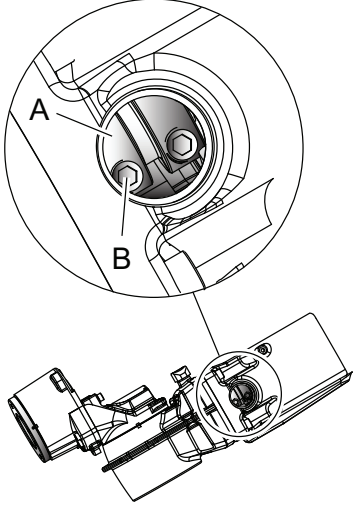
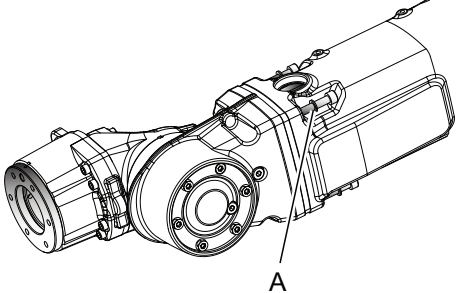
	Action	Note
1	Decide which calibration routine to use for calibrating the robot. <ul style="list-style-type: none"> Reference calibration. External cable packages (DressPack) and tools can stay fitted on the robot. Fine calibration. All external cable packages (DressPack) and tools must be removed from the robot. 	
	If the robot is to be calibrated with reference calibration: Find previous reference values for the axis or create new reference values. These values are to be used after the repair procedure is completed, for calibration of the robot. If no previous reference values exist, and no new reference values can be created, then reference calibration is not possible.	Follow the instructions given in the reference calibration routine on the FlexPendant to create reference values. Creating new values requires possibility to move the robot. Read more about reference calibration for Axis Calibration in <i>Product manual - IRB 4600</i> .
	If the robot is to be calibrated with fine calibration: Remove all external cable packages (DressPack) and tools from the robot.	

Removing wrist unit

Use this procedure to remove the wrist unit.

	Action	Information
1	Decide which calibration routine to use, and take actions accordingly prior to beginning the repair procedure.	
2	Move the upper arm to synchronization position.	
3	 DANGER Turn off all: <ul style="list-style-type: none"> electric power supply hydraulic pressure supply air pressure supply to the robot, before entering the robot working area.	
4	Remove all extra equipment fitted on the upper arm.	

Continues on next page


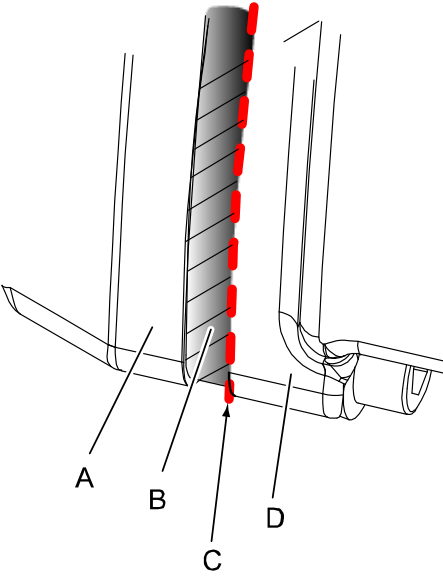

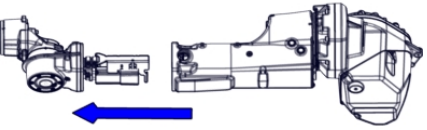
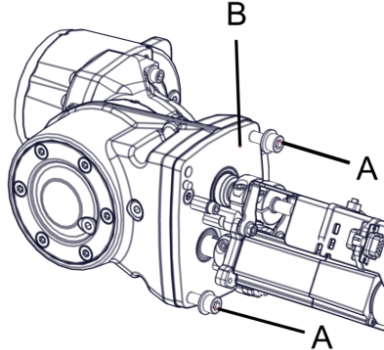
	Action	Information
5	Remove the VK-cover.	 <p>xx100000873</p>
6	Open the flexible coupling securing motor axis 5, on the side facing the wrist.	 <p>xx100000874</p> <ul style="list-style-type: none"> • A: Coupling • B: Attachment screw
7	Remove the attachment screws securing the wrist.	 <p>xx100000875</p> <ul style="list-style-type: none"> • A: Attachment screws (4 pcs)

Continues on next page

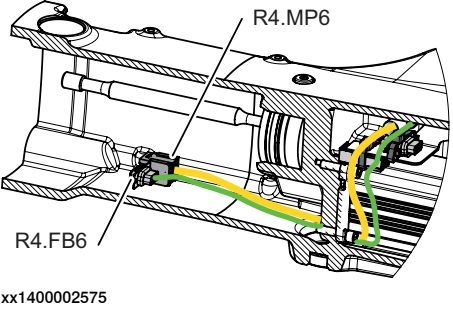
4 Repair

4.4.6 Replacing the wrist unit, IRB1660ID

Continued

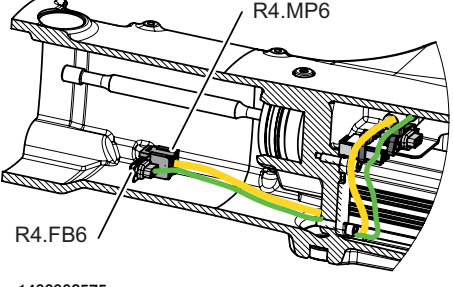
	Action	Information
8	<p>Separate the wrist and upper arm tube at the marked division point (along the dotted line in the figure).</p> <p> Note</p> <p>There is oil inside the wrist. The cover is only secured with Loctite 574. If opened in the wrong place, oil will spill out.</p>	 <p>xx100000933</p> <ul style="list-style-type: none"> • A: Wrist • B: Cover (Secured with Loctite 574 to the wrist) • C: Division point • D: Upper arm tube
9	<p>Pull carefully out the wrist a little to reach the motor cables to motor axis 6.</p> <p> Note</p> <p>The wrist is fitted on cylindrical pins.</p>	 <p>xx1500001259</p>
10	<p>Fit two short screws in the holes for the attachment screws to temporarily secure the cover.</p>	 <p>xx1500003257</p> <ul style="list-style-type: none"> • A: Short screws (2 pcs) • B: Cover

Continues on next page

	Action	Information
11	Disconnect the cables R4.MP6 and R4.FB6 to motor axis 6.	 <p>xx1400002575</p>
12	Put the wrist with motor axis 6 on a work bench.	
13	Remove motor axis 6 from the wrist.	For details, see Replacement of motor, axis 6, IRB 1660ID on page 313.

Refitting wrist unit

Use this procedure to refit the wrist unit.

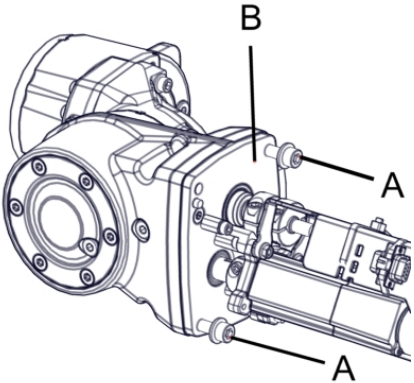
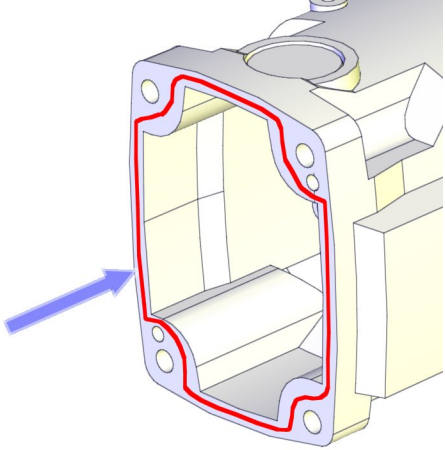
	Action	Information
1	Clean all assembly surfaces. Remove any painting from the assembly surfaces, with a knife.	
2	Refit motor axis 6 to the wrist.	For details, see Replacement of motor, axis 6, IRB 1660ID on page 313.
3	Place the wrist with motor axis 6 fitted a little into the upper arm tube.	
4	Reconnect the cables R4.MP6 and R4.FB6 to motor axis 6.	 <p>xx1400002575</p>

Continues on next page


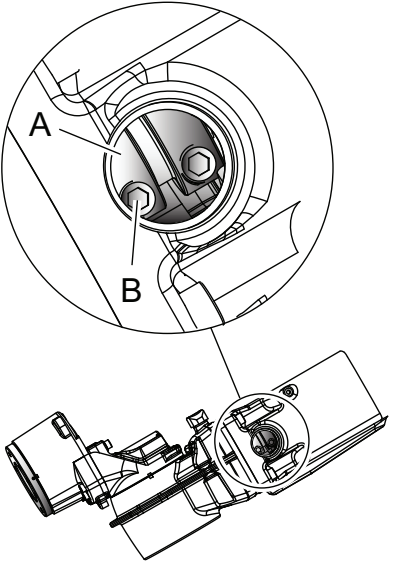
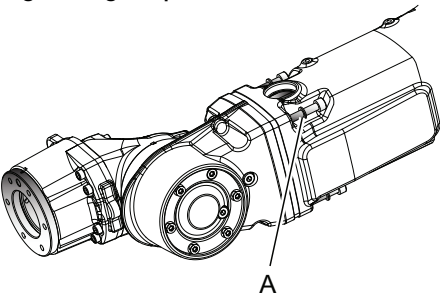
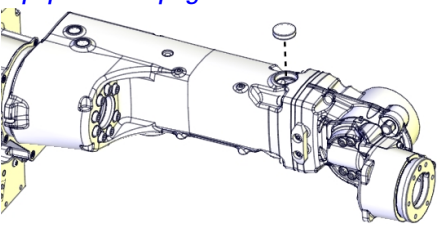
4 Repair

4.4.6 Replacing the wrist unit, IRB1660ID

Continued

	Action	Information
5	Remove the two short screws used to temporarily secure the cover.	 <p>xx1500003257</p> <ul style="list-style-type: none">• A: Short screws (2 pcs)• B: Cover
6	Apply locking liquid to the assembly surface on the upper arm tube.	<p>The locking liquid is specified in Required equipment on page 205.</p>  <p>xx1200000063</p>

Continues on next page


	Action	Information
7	<p>Push the wrist with motor axis 6 into its position onto the cylindrical pins.</p> <p> Tip</p> <p>Look through the hole for the VK-cover when fitting the axis into the flexible coupling of motor axis 5.</p>	 <p>xx1000000874</p> <ul style="list-style-type: none"> • A: Flexible coupling axis 5 • B: Attachment screw
8	<p>Secure the wrist with its attachment screws and washers.</p>	<p>Tightening torque: 35 Nm</p>  <p>xx1000000875</p> <ul style="list-style-type: none"> • A: Attachment screws (4 pcs)
9	<p>Secure the flexible coupling axis 5 with its attachment screw.</p>	<p>Tightening torque: 14 Nm</p>
10	<p>Fit a new VK-cover.</p>	<p>Article number is specified in Required equipment on page 205.</p>  <p>xx1000000873</p>

Continues on next page

4 Repair

4.4.6 Replacing the wrist unit, IRB1660ID

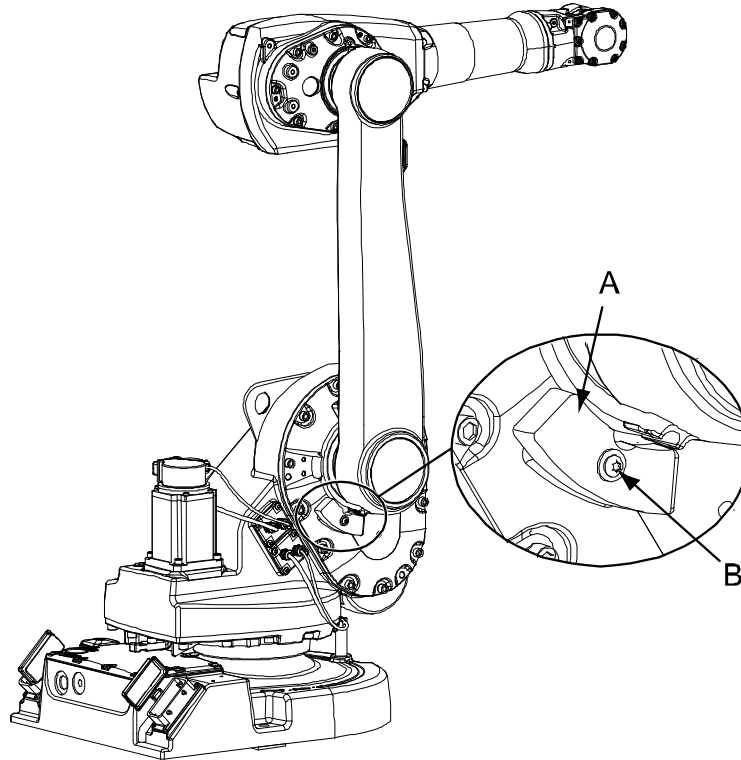
Continued

	Action	Information
11	Recalibrate the robot.	Pendulum Calibration is described in <i>Operating manual - Calibration Pendulum</i> , enclosed with the calibration tools. Axis Calibration is described in Calibrating with Axis Calibration method on page 344 . General calibration information is included in section Calibration on page 331 .
12	 DANGER Make sure all safety requirements are met when performing the first test run.	

4.4.7 Replacing the damper, axis 2

Location of damper, axis 2

The damper, axis 2, is located as shown in the figure.



xx0400001217

A	Damper, axis 2
B	Attachment screw and washer

Required equipment

Equipment, etc.	Art. no.	Note
Damper, axis 2	3HAC022013-001	
Standard toolkit	-	Content is defined in section Standard tools on page 383 .
Other tools and procedures may be required. See references to these procedures in the step-by-step instructions below.		These procedures include references to the tools required.



CAUTION

Always cut the paint with a knife and grind the paint edge when disassembling parts. See [Cut the paint or surface on the robot before replacing parts on page 152](#).

Continues on next page



4 Repair

4.4.7 Replacing the damper, axis 2

Continued



Removing the damper

Use this procedure to remove the damper.

	Action	Note
1	 CAUTION Always cut the paint with a knife and grind the paint edge when disassembling parts. See Cut the paint or surface on the robot before replacing parts on page 152 .	
2	Run the robot to a position where it is best to enable access to the attachment screw of the damper.	
3	 DANGER Turn off all: <ul style="list-style-type: none">• electric power supply• hydraulic pressure supply• air pressure supply to the robot, before entering the robot working area.	
4	Remove the damper by unscrewing the attachment screw and washer.	

Refitting the damper

Use this procedure to refit the damper.

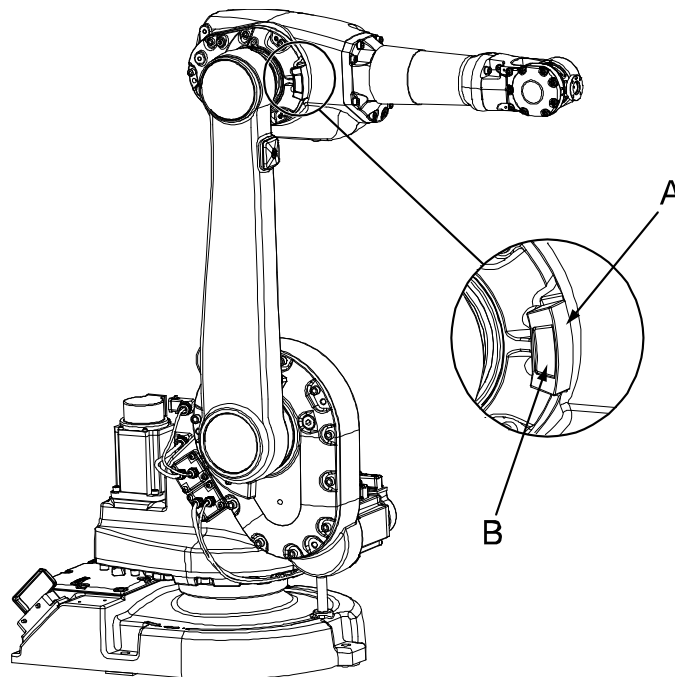
	Action	Note
1	Run the robot to a position where it is best to enable access to the attachment screw of the damper.	
2	 DANGER Turn off all: <ul style="list-style-type: none">• electric power supply• hydraulic pressure supply• air pressure supply to the robot, before entering the robot working area.	
3	Secure the damper with the attachment screw and washer.	1 pc: M6 x 16.
4	 DANGER Make sure all safety requirements are met when performing the first test run.	

4.4.8 Replacing the damper, axis 3

Location of damper, axis 3

The damper axis 3, is located as shown in the figure.

A more detailed view of the damper and its position may be found in the spare part view, see *Spare parts - Upper arm, exploded view*.



xx0400001215

A	Damper, axis 3
B	Cast tab

Required equipment

Equipment, etc.	Art. no.	Note
Damper, axis 3	3HAC022260-001	
Standard toolkit		Content is defined in section Standard tools on page 383 .



CAUTION

Always cut the paint with a knife and grind the paint edge when disassembling parts. See [Cut the paint or surface on the robot before replacing parts on page 152](#).

Removing the damper axis 3

Use this procedure to remove the damper.


	Action	Note
1	Run the robot to a position where it is best to enable access to the access 3 damper.	Shown in the figure Location of damper, axis 3 on page 215 .

Continues on next page

4 Repair



4.4.8 Replacing the damper, axis 3

Continued

	Action	Note
2	 DANGER Turn off all: <ul style="list-style-type: none">• electric power supply• hydraulic pressure supply• air pressure supply to the robot, before entering the robot working area.	
3	Remove the damper by gently prying it from the cast tab.	

Refitting the damper axis 3

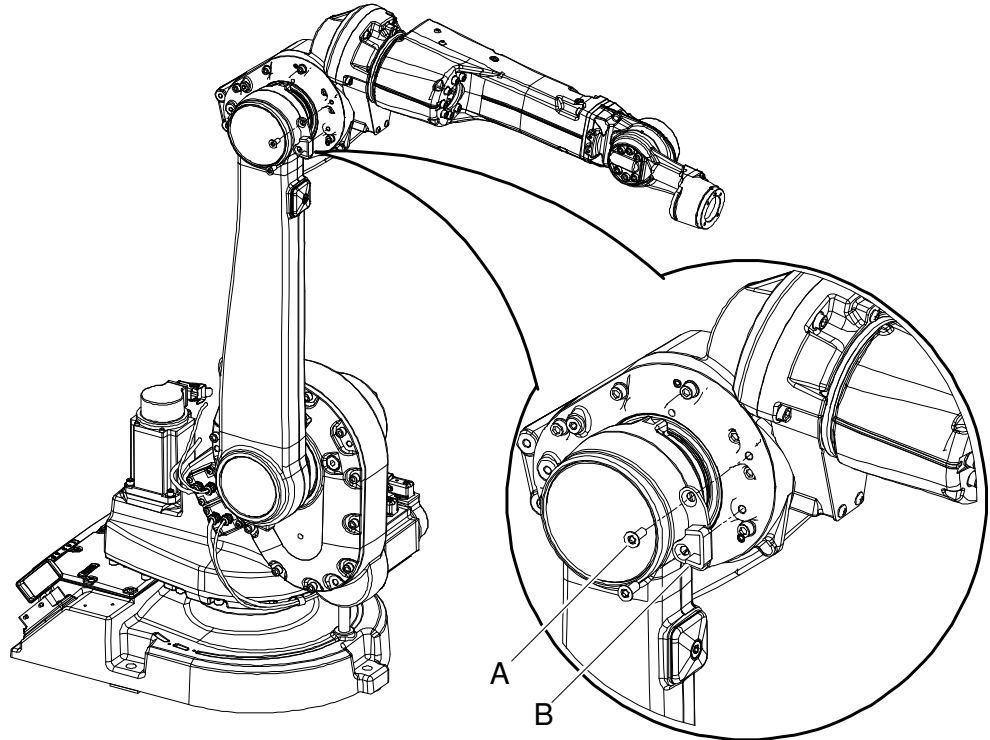
Use this procedure to refit the damper.

	Action	Note
1	Run the robot to a position where it is best to enable access to the location where the axis 3 damper is fitted.	Shown in the figure Location of damper, axis 3 on page 215 .
2	 DANGER Turn off all: <ul style="list-style-type: none">• electric power supply• hydraulic pressure supply• air pressure supply to the robot, before entering the robot working area.	
3	Refit the damper by gently pressing it onto the cast tab on the upper arm.	
4	 DANGER Make sure all safety requirements are met when performing the first test run.	

4.4.9 Replacing the mechanical stop axis 3, IRB 1600ID/1660ID

Location of the mechanical stop axis 3

The mechanical stop axis 3 is located as shown in the figure.



xx070000043

A	Torx counters. head screw
B	Mechanical damper

Required equipment

Equipment	Art. no.	Note
Mechanical stop	See Spare part lists on page 387 .	
Standard tools		Content is defined in section Standard tools on page 383 .



CAUTION

Always cut the paint with a knife and grind the paint edge when disassembling parts. See [Cut the paint or surface on the robot before replacing parts on page 152](#).

Continues on next page


4 Repair

4.4.9 Replacing the mechanical stop axis 3, IRB 1600ID/1660ID

Continued


Removing the mechanical stop axis 3

Use this procedure to remove the mechanical stop.

	Action	Note
1	Run the robot to a position that enables access to the mechanical stop.	
2	 DANGER Turn off all: <ul style="list-style-type: none">• electric power supply• hydraulic pressure supply• air pressure supply to the robot, before entering the robot working area.	
3	Remove the mechanical stop.	

Refitting the mechanical stop axis 3

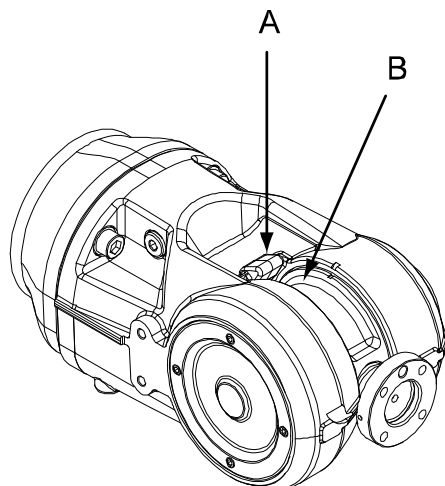
Use this procedure to refit the mechanical stop.

	Action	Note
1	Refit the mechanical stop with its attachment screws.	
2	 DANGER Make sure all safety requirements are met when performing the first test run.	

4.4.10 Replacement of damper, axis 5

Location of damper, axis 5

The damper, axis 5, is located as shown in the figure below!



xx0600002806

A	Damper, axis 5
B	Recess

Required equipment

Equipment, etc.	Spare part no.	Note
Damper, axis 5	3HAB 8964-1	
Standard toolkit		Content is defined in section Standard tools on page 383 .



CAUTION

Always cut the paint with a knife and grind the paint edge when disassembling parts. See [Cut the paint or surface on the robot before replacing parts on page 152](#).

Removal, damper axis 5

The procedure below details how to remove the damper, axis 5.


	Action	Note
1	Run the robot to a position that enables the end of the <i>damper</i> to be pushed into the <i>recess</i> in the wrist unit.	Shown in the figure Location of damper, axis 5 on page 219 .

Continues on next page

4 Repair



4.4.10 Replacement of damper, axis 5

Continued

	Action	Note
2	 DANGER Turn off all: <ul style="list-style-type: none">• electric power supply• hydraulic pressure supply• air pressure supply to the robot, before entering the robot working area.	
3	Unhook the end of the damper, and push it into the recess.	
4	Manually move the wrist (robot axis 5) away from the damper to pull it out.	

Refitting, damper axis 5

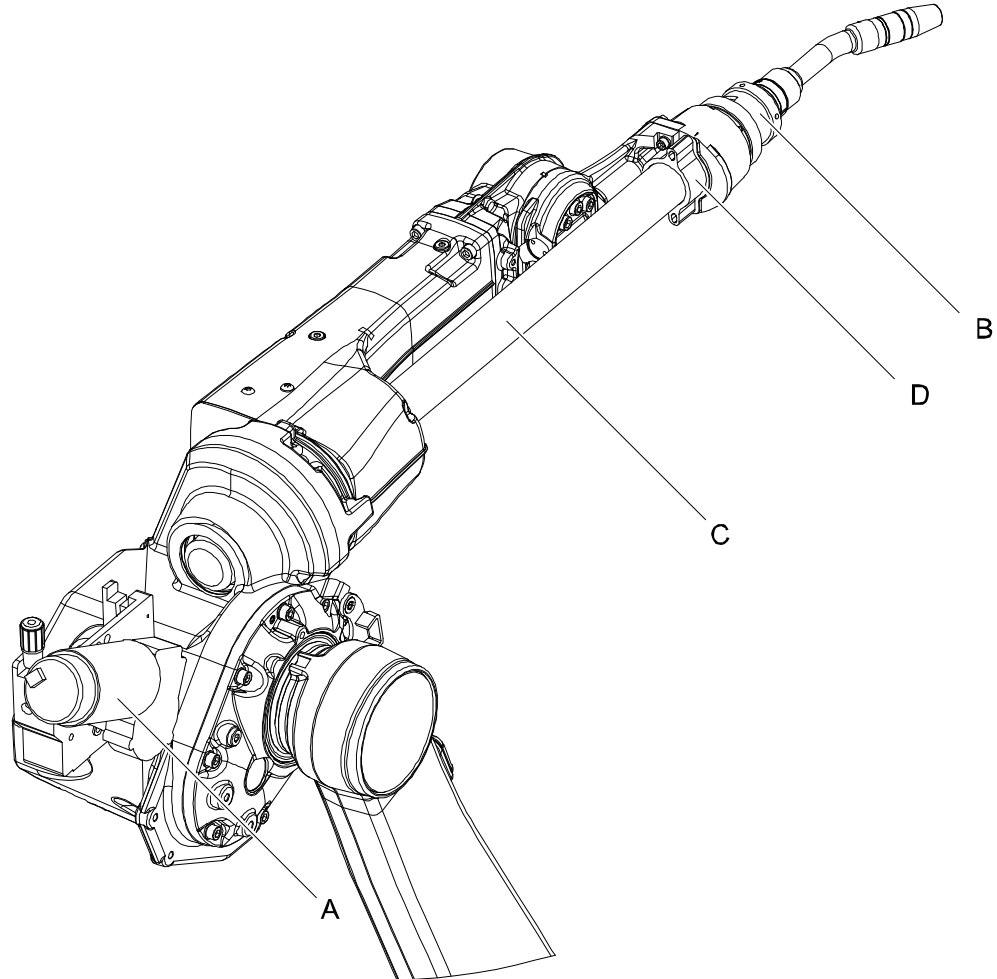
The procedure below details how to refit the damper, axis 5.

	Action	Note
1	 DANGER Turn off all: <ul style="list-style-type: none">• electric power supply• hydraulic pressure supply• air pressure supply to the robot, before entering the robot working area.	
2	Push the end of the damper into the gap between the wrist unit and upper arm.	Make sure the damper is turned the correct way!
3	Manually move the wrist (robot axis 5) in order to pull the damper into position.	
4	Fold out the damper hooks to secure it in position.	
5	 DANGER Make sure all safety requirements are met when performing the first test run.	

4.4.11 Remove upper arm AW Gun

Location of AW Gun

The location of the AW equipment.



xx0700000153

A	Wire feeder (customer option)
B	Weld gun (BINZEL)
C	Welding cable (BINZEL)
D	Brace (BINZEL)

Required equipment

Equipment	Art. no.	Note
Standard tools	-	Standard tools on page 383.

**CAUTION**

Always cut the paint with a knife and grind the paint edge when disassembling parts. See [Cut the paint or surface on the robot before replacing parts on page 152.](#)

Continues on next page


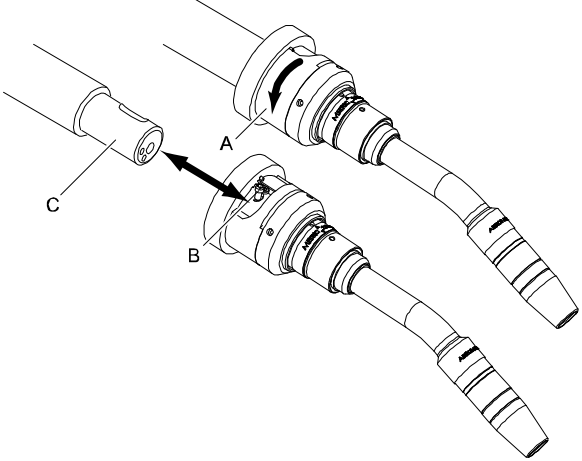
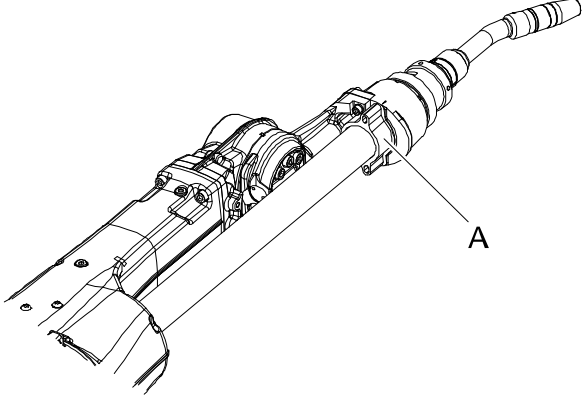
4 Repair

4.4.11 Remove upper arm AW Gun

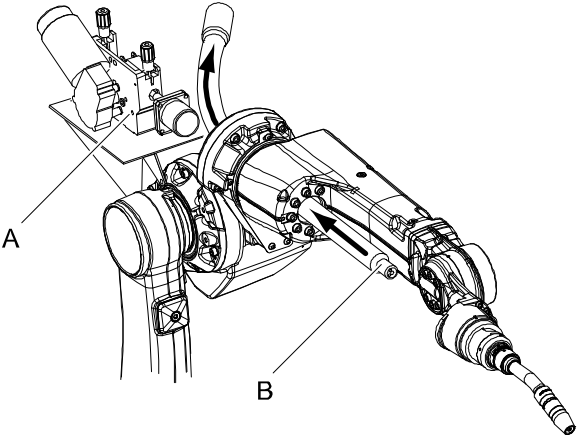
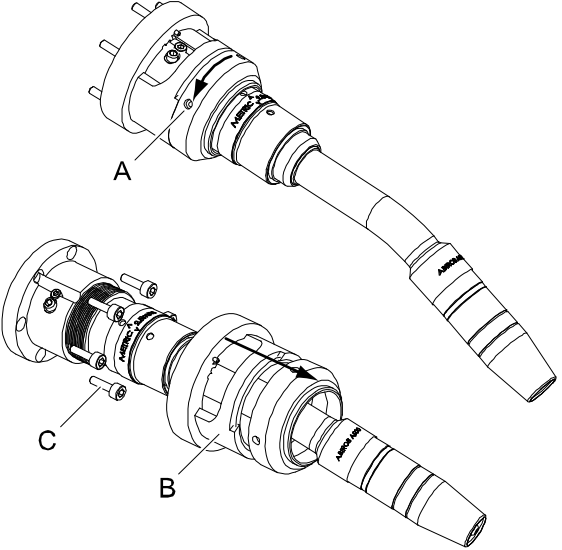
Continued

Remove AW Gun

The section below shows how to remove the AW. equipment from the upper arm of an IRB 1600 ID.

	Action	Note
1	 DANGER Turn off all: <ul style="list-style-type: none">• electric power supply• hydraulic pressure supply• air pressure supply to the robot, before entering the robot working area.	
2	Remove the welding cable (C) from the weld gun by twisting the locking sleeve (A) counter clockwise. Loosen the locking screw (B) and pull out the welding cable.	 <p>xx0700000151</p> <p>A Locking sleeve B Locking screw C Welding cable</p>
3	Remove the two screws holding the brace.	 <p>xx0700000273</p> <p>A BINZEL Brace</p>

Continues on next page

	Action	Note
4	Remove the welding cable from the wire feeder and pull it out.	 <p>xx0700000142</p> <p>A Wire feeder B Welding cable</p>
5	The locking ring (A) has a thread, loosen it counter clockwise and remove it. Remove the locking sleeve (B). Remove all 6x M5 screw (C).	 <p>xx0700000150</p> <p>A Locking ring B Locking sleeve C Screw M5</p>

Continues on next page


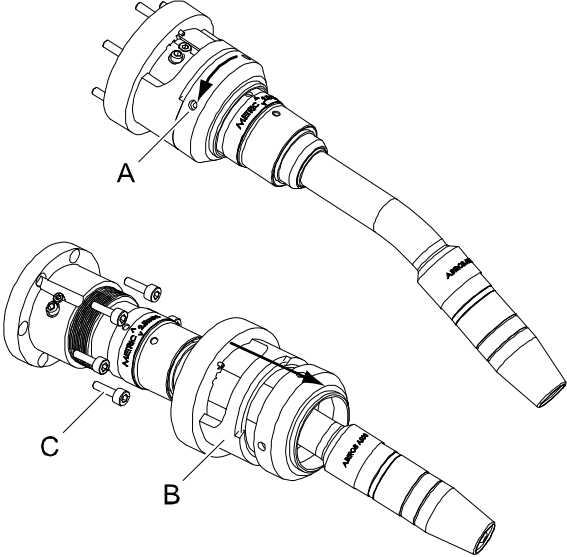
4 Repair

4.4.11 Remove upper arm AW Gun

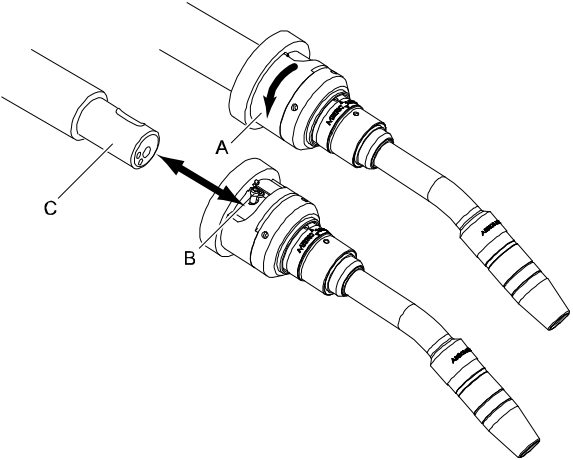
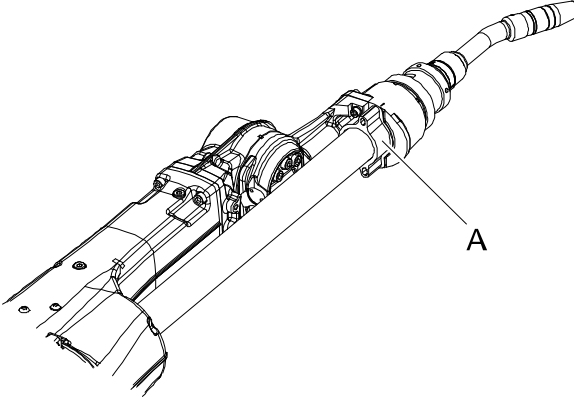
Continued

Refit AW Gun

The section below shows how to refit the AW. equipment to the upper arm of a IRB 1600 ID.

	Action	Note
1	<p> DANGER</p> <p>Turn off all:</p> <ul style="list-style-type: none">• electric power supply• hydraulic pressure supply• air pressure supply <p>to the robot, before entering the robot working area.</p>	
2	<p>Refit the welding gun using the 6X Socket head cap screw M5 (C).</p> <p>Refit the locking sleeve (B).</p> <p>Lock the sleeve using the locking ring (A).</p>	 <p>xx0700000150</p> <p>A Locking ring B Locking sleeve C Screw M5</p>

Continues on next page

	Action	Note
3	<p>Refit the welding cable (C). Lock the cable using the screw (B).</p>	 <p>xx0700000151</p> <p>A Locking sleeve B Locking screw C Welding cable</p>
4	<p>Refit the brace (A).</p>	 <p>xx0700000273</p>

4 Repair

4.4.12 Measuring the play 1600, axis 5 and axis 6

4.4.12 Measuring the play 1600, axis 5 and axis 6

General

This section is only valid for IRB 1600.

After reassembly due to repair work or any other reason, the play in axis 5 and 6 must be checked to ensure the repetition accuracy of the robot positioning.

Axis 5

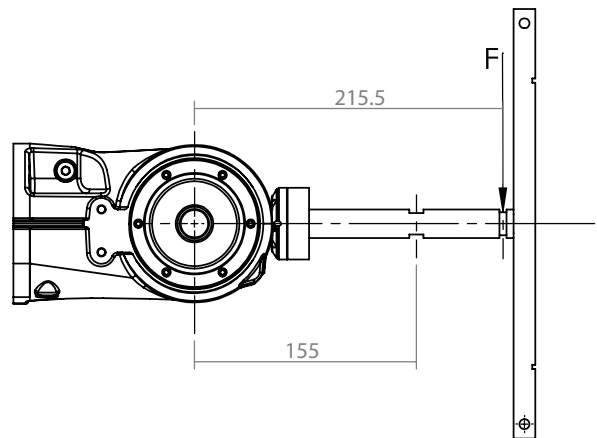
User the following procedure to measure the play of axis 5.

- 1 Turn axis 4 90°.
- 2 Load axis 5 with the force of 30 N in one direction, unload to 3 N and start measure the play a1.
- 3 Load axis 5 with the force of 40 N in another direction, unload to 3 N and start measure the play a2.

The axis play will be $C1=|a1|+|a2|$.

- 4 Change the position of axis 5 by 90°.
- 5 Repeat previous steps to measure and obtain values C2 and C3.

Axis 5 play is the maximum one among C1, C2 and C3. It is acceptable is the value is less than 0.18 mm.



xx2100000110

Axis 6

User the following procedure to measure the play of axis 6.

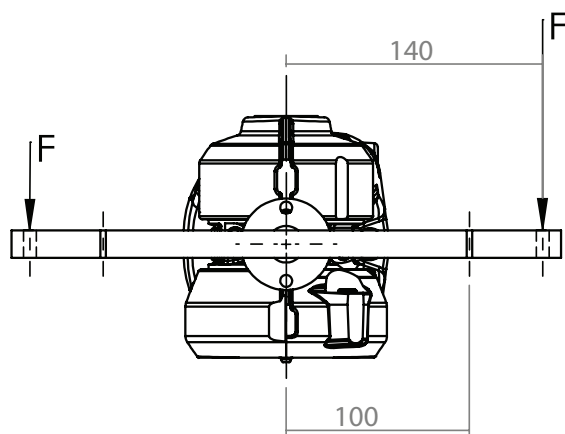
- 1 Load axis 6 with the force of 40 N downwards, unload to 3 N and start measure the play a1.
- 2 Load axis 6 with the force of 30 N downwards at the other end, unload to 3 N and start measure the play a2.

The axis play will be $C1=|a1|+|a2|$.

- 3 Change the position of axis 6 by 180°.
- 4 Repeat previous steps to measure and obtain values C2 and C3.

Continues on next page

Axis 5 play is the maximum one among C1, C2 and C3. It is acceptable if the value is less than 0.3 mm.



xx210000111

4 Repair

4.4.13 Measuring the play 1600ID/1660ID, axis 5

4.4.13 Measuring the play 1600ID/1660ID, axis 5

General

This section is only valid for IRB 1600ID/1660ID.


After reassembly due to repair work or any other reason, the play in axis 5 and 6 must be checked to ensure the repetition accuracy of the robot positioning.

Required equipment

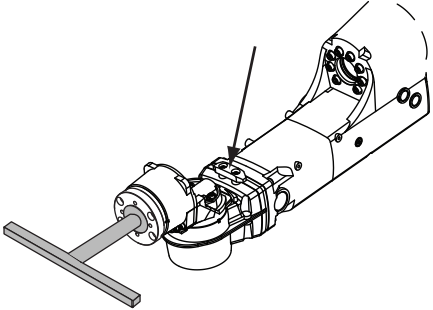

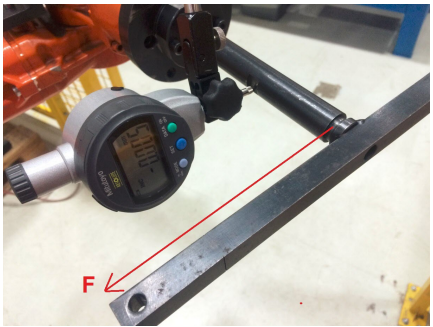
Equipment, etc.	Art. no.	Note
Standard toolkit	-	Content is defined in section Standard tools on page 383 .
Turning disk adapter	3HAC027717-020	
Measuring tool	3HAB9238-1	For measuring play.
Measuring bracket	3HAC032976-001	
Dial indicator with a magnetic foot	-	
Other tools and procedures may be required. See references to these procedures in the step-by-step instructions below.		These procedures include references to the tools required.

Measurement, axis 5

Use this procedure to measure the play of axis 5.

	Action	Information
1	Move the robot to calibration position. Turn axis 4 to +90°.	
2	 DANGER Turn off all: <ul style="list-style-type: none">• electric power supply• hydraulic pressure supply• air pressure supply to the robot, before entering the robot working area.	
3	Fit the <i>turning disk adapter</i> to the turning disk.	Art. no. is specified in Required equipment on page 228 .
4	Fit the <i>measuring tool</i> to the turning disk adapter.	Art. no. is specified in Required equipment on page 228 .

Continues on next page




	Action	Information
5	Fit the <i>measuring bracket</i> to the wrist. Use the holes that are pointed out in the figure.	<p>Art. no. is specified in Required equipment on page 228.</p>  <p>xx110000688</p>
6	Fit the magnetic foot of the <i>dial indicator</i> on the measuring bracket.	
7	Place the tip of the dial indicator on the milled surface of the measuring tool shaft, as shown in the figure.	 <p>xx150000313</p>
8	Verify that axis 5 is put in calibration position.	
9	Set the dial indicator to zero.	
10	<p>Apply load F with a dynamometer, as shown in the figure.</p> <ul style="list-style-type: none"> • IRB 1600ID-4/1.5: $F = 40\text{N}$ • IRB 1660ID-X/1.55: $F = 30\text{N}$ <p>Remove the load and make a note of the value from the dynamometer, as value $a1$.</p>	 <p>xx150000314</p>

Continues on next page

4 Repair

4.4.13 Measuring the play 1600ID/1660ID, axis 5

Continued

	Action	Information
11	<p>Apply the same load in the opposite direction (180°), as shown in the figure.</p> <p>Remove the load and make a note of the value from the dynamometer, as value a_2.</p>	 <p>xx1500000315</p>
12	<p>Calculate the play in the axis as $a_1 + a_2$. The values of a_1 and a_2 are absolute values.</p>	<p>The maximum play allowed is:</p> <ul style="list-style-type: none"> • IRB 1600ID-4/1.5: 0.34 mm • IRB 1660ID-X/1.55: 0.25 mm
13	<p>Turn on power.</p>	
14	<p>Turn axis 5 to $+90^\circ$.</p>	
15	<p> DANGER</p> <p>Turn off all:</p> <ul style="list-style-type: none"> • electric power supply • hydraulic pressure supply • air pressure supply <p>to the robot, before entering the robot working area.</p>	
16	<p>Repeat step 10 to step 12.</p>	
17	<p>Turn on power.</p>	
18	<p>Turn axis 5 to -90°.</p>	
19	<p> DANGER</p> <p>Turn off all:</p> <ul style="list-style-type: none"> • electric power supply • hydraulic pressure supply • air pressure supply <p>to the robot, before entering the robot working area.</p>	
20	<p>Repeat step 10 to step 12.</p>	

4.4.14 Measuring the play 1600ID/1660ID, axis 6

General

This section is only valid for IRB 1600ID/1660ID.


After reassembly due to repair work or any other reason, the play in axis 5 and 6 must be checked to ensure the repetition accuracy of the robot positioning.

Required equipment

Equipment, etc.	Art. no.	Note
Standard toolkit	-	Content is defined in section Standard tools on page 383 .
Turning disk adapter	3HAC027717-020	
Measuring tool	3HAB9238-1	For measuring play.
Measuring bracket	3HAC032976-001	
Dial indicator with magnetic foot	-	
Other tools and procedures may be required. See references to these procedures in the step-by-step instructions below.		These procedures include references to the tools required.

Measurement, axis 6

Use this procedure to measure the play of axis 6.

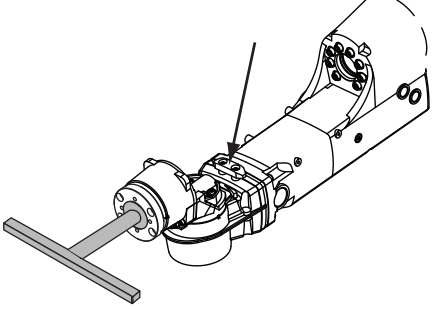


	Action	Information
1	Move the robot to calibration position. Turn axis 4 to +90°.	
2	 DANGER Turn off all: <ul style="list-style-type: none"> • electric power supply • hydraulic pressure supply • air pressure supply to the robot, before entering the robot working area.	
3	Fit the <i>turning disk adapter</i> to the turning disk.	Art. no. is specified in Required equipment on page 231 .
4	Fit the <i>measuring tool</i> to the turning disk adapter.	Art. no. is specified in Required equipment on page 231 .

Continues on next page



4 Repair

4.4.14 Measuring the play 1600ID/1660ID, axis 6

Continued

	Action	Information
5	Fit the <i>measuring bracket</i> to the wrist. Use the holes that are pointed out in the figure.	<p>Art. no. is specified in Required equipment on page 231.</p>  <p>xx110000688</p>
6	Fit the magnetic foot of the <i>dial indicator</i> on the measuring bracket.	
7	Place the tip of the dial indicator on the marking, as shown in the figure.	 <p>xx150000316</p>
8	Verify that axis 6 is put in calibration position.	
9	Set the dial indicator to zero.	
10	<p>Apply load $F=40N$ with a dynamometer on the opposite side of the dial indicator, as shown in the figure.</p> <p>Remove the load and make a note of the value from the dynamometer, as value <i>b1</i>.</p>	 <p>xx150000317</p>

Continues on next page

	Action	Information
11	<p>Apply load $F=40\text{N}$ downwards on another side, as shown in the figure.</p> <p>Remove the load and make a note of the value from the dynamometer, as value $b2$.</p>	 <p>xx1500000318</p>
12	<p>Calculate the play in the axis as $b1 + b2$. The values of $b1$ and $b2$ are absolute values.</p>	<p>The maximum play allowed is:</p> <ul style="list-style-type: none"> • IRB 1600ID-4/1.5: 0.25 mm • IRB 1660ID-X/1.55: 0.20 mm
13	Turn on power.	
14	Turn axis 6 to $+180^\circ$.	
15	<p> DANGER</p> <p>Turn off all:</p> <ul style="list-style-type: none"> • electric power supply • hydraulic pressure supply • air pressure supply <p>to the robot, before entering the robot working area.</p>	
16	Repeat step 10 to step 12 .	

4 Repair

4.5.1 Replacement of base

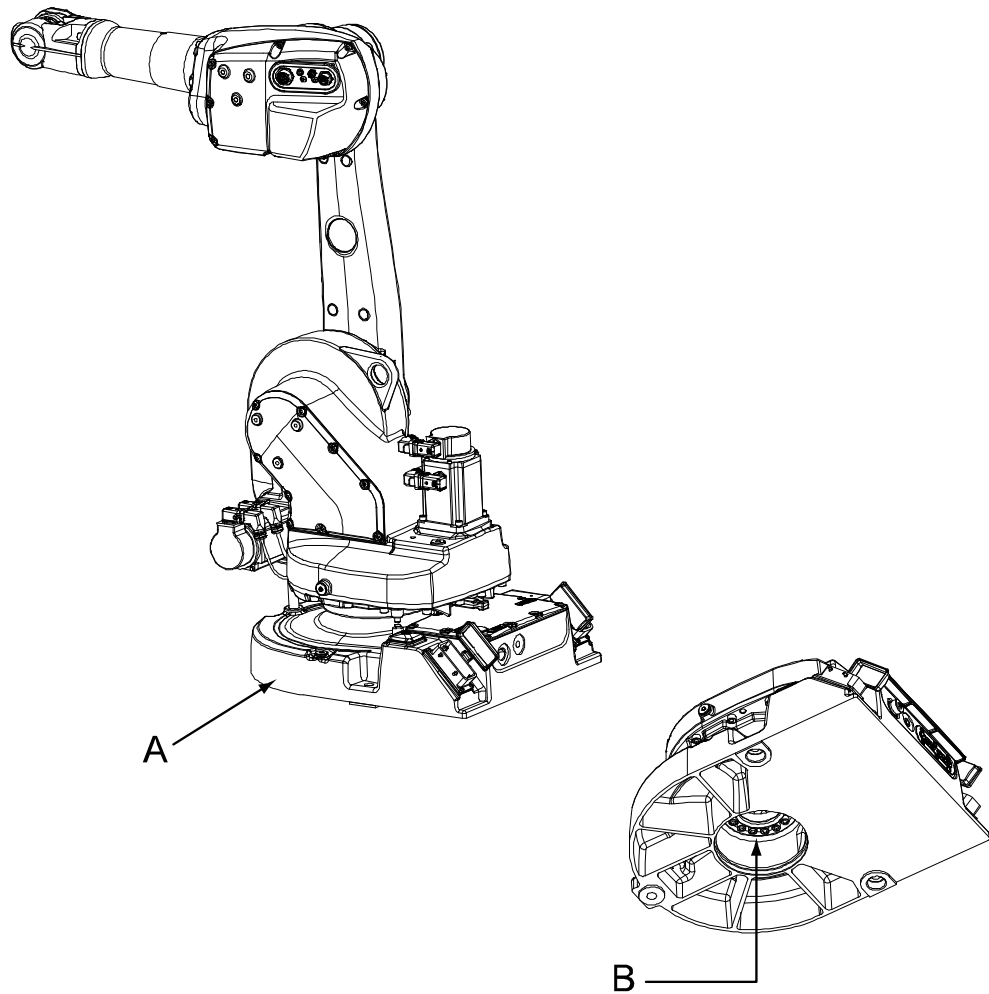
4.5 Frame and base

4.5.1 Replacement of base

Location of base

The base is located at the bottom of the robot as shown in the figure below.

A more detailed view of the base may be found in the spare part view, see *Spare parts - Base, exploded view*.



xx0500001453

A	Base
B	Attachment screws and washer, base-gearbox unit (VK-cover removed)

Required equipment

Equipment	Spare part no.	Art. no.	Note
Base, spare	For spare part number, see: <ul style="list-style-type: none">• Spare part lists on page 387.		

Continues on next page

Equipment	Spare part no.	Art. no.	Note
V-ring (sealing ring)	3HAB3773-11		Replace if damaged.
VK-cover	3HAA2166-26		
Lifting slings		-	
Locking liquid			Loctite 574 For sealing the base to the gearbox 1-2.
Grease		3HAC042536-001	For lubricating the V-ring.
Isopropanol			For cleaning the mating surfaces.
Standard toolkit		-	Content is defined in section Standard tools on page 383 .
Other tools and procedures may be required. See references to these procedures in the step-by-step instructions below.			These procedures include references to the tools required.

Deciding calibration routine

Decide which calibration routine to be used, based on the information in the table. Depending on which routine is chosen, action might be required prior to beginning the repair work of the robot, see the table.

	Action	Note
1	<p>Decide which calibration routine to use for calibrating the robot.</p> <ul style="list-style-type: none"> Reference calibration. External cable packages (DressPack) and tools can stay fitted on the robot. Fine calibration. All external cable packages (DressPack) and tools must be removed from the robot. 	
	<p>If the robot is to be calibrated with reference calibration:</p> <p>Find previous reference values for the axis or create new reference values. These values are to be used after the repair procedure is completed, for calibration of the robot.</p> <p>If no previous reference values exist, and no new reference values can be created, then reference calibration is not possible.</p>	<p>Follow the instructions given in the reference calibration routine on the FlexPendant to create reference values.</p> <p>Creating new values requires possibility to move the robot.</p> <p>Read more about reference calibration for Axis Calibration in <i>Product manual - IRB 4600</i>.</p>
	<p>If the robot is to be calibrated with fine calibration:</p> <p>Remove all external cable packages (DressPack) and tools from the robot.</p>	

Continues on next page

4 Repair

4.5.1 Replacement of base

Continued






CAUTION


Always cut the paint with a knife and grind the paint edge when disassembling parts. See [Cut the paint or surface on the robot before replacing parts on page 152](#).

Removal, base

The procedure below details how to remove the base from the robot.



	Action	Note
1	Decide which calibration routine to use, and take actions accordingly prior to beginning the repair procedure.	
2	 DANGER Turn off all: <ul style="list-style-type: none">• electric power supply• hydraulic pressure supply• air pressure supply to the robot, before entering the robot working area.	
3	 CAUTION Always cut the paint with a knife and grind the paint edge when disassembling parts. See Cut the paint or surface on the robot before replacing parts on page 152 .	
4	Remove the cabling inside the base and pull it up to the gearbox unit.	The cable layout in the base is shown in the figure Illustration, cabling inside base on page 162 .
5	Remove the serial measurement unit.	Detailed in section Removing the serial measurement unit on page 242 .
6	Unfasten the base from the installation site by removing the attachment bolts from the foundation.	
7	 CAUTION The robot weighs . IRB 1600/IRB 1600ID: 250 kg IRB 1660ID: 260 kg All lifting accessories used must be sized accordingly!	
8	Fit the <i>lifting slings</i> to the robot, lift it and place it with the side of the lower arm downwards on a work bench. Be careful not to damage the motor connectors!	Art. no. is specified in Required equipment on page 234 .

Continues on next page

	Action	Note
9	Remove the VK-cover from the base. Tip! Push out the cover from inside or drill a hole in the cover through which a tool can be inserted in order to bend out the cover.	
10	 CAUTION The robot base weighs 81 kg. All lifting accessories used must be sized accordingly!	
11	Secure the weight of the base and remove the gearbox/base attachment screws and washer.	Shown in the figure Location of base on page 234 .
12	Separate the base from the gearbox unit.	

Refitting, base

The procedure below details how to refit the base to the robot.




	Action	Note
1	 DANGER Turn off all: <ul style="list-style-type: none"> • electric power supply • hydraulic pressure supply • air pressure supply to the robot, before entering the robot working area.	
2	Clean the joints that have been opened. See Cut the paint or surface on the robot before replacing parts on page 152	
3	Place the robot with the side of the lower arm downwards on a workbench. Be careful not to damage the motor connectors.	
4	Clean the mating surfaces between the base and the gearbox unit with isopropanol.	
5	Check the V-ring on the gearbox unit. Lubricate with grease if needed. Replace it if damaged!	Spare part no. is specified in Required equipment on page 234 .
6	Lubricate the mating surface on the base with Loctite 574.	
7	 CAUTION The robot base weighs 81 kg. All lifting accessories used must be sized accordingly!	
8	Lift the base to mounting position.	

Continues on next page

4 Repair

4.5.1 Replacement of base

Continued

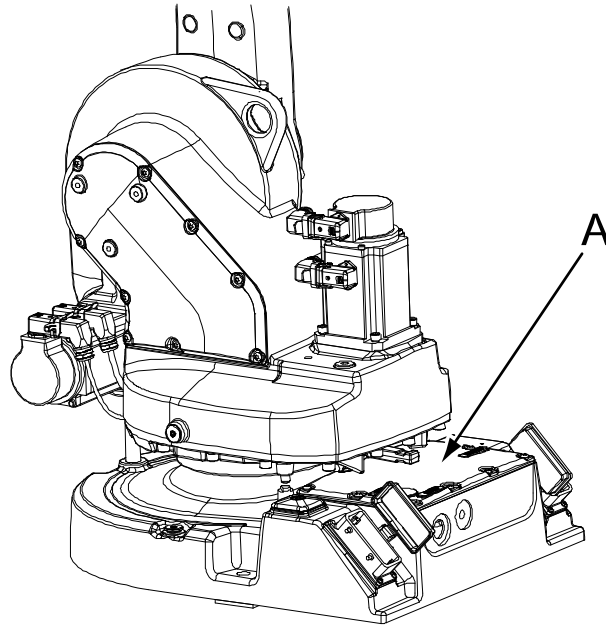
	Action	Note
9	Secure the base to the gearbox unit with the <i>gearbox/base attachment screws and washer</i> .	Shown in the figure <i>Location of base on page 234</i> . 16 pcs, M10 x 40, tightening torque: 70 Nm.
10	Refit a new <i>VK-cover</i> to the base.	Spare part no. is specified in <i>Required equipment on page 234</i> .
11	 CAUTION The robot weighs . IRB 1600/IRB 1600ID: 250 kg IRB 1660ID: 260 kg All lifting accessories used must be sized accordingly!	
12	Turn the robot to stand upright.	
13	Secure the base to the foundation.	Attachment bolts and tightening torque are specified in section <i>Attachment bolts, specification on page 64</i> .
14	Pull down the cabling and refit it inside the base.	The cable layout inside the base is shown in the figure <i>Illustration, cabling inside base on page 162</i> .
15	Refit the serial measurement unit.	Detailed in section <i>Refitting the serial measurement unit on page 244</i> .
16	Seal and paint the joints that have been opened. See <i>Cut the paint or surface on the robot before replacing parts on page 152</i>  Note After all repair work, wipe the robot free from particles with spirit on a lint free cloth.	
17	Recalibrate the robot.	Pendulum Calibration is described in <i>Operating manual - Calibration Pendulum</i> , enclosed with the calibration tools. Axis Calibration is described in <i>Calibrating with Axis Calibration method on page 344</i> . General calibration information is included in section <i>Calibration on page 331</i> .
18	 DANGER Make sure all safety requirements are met when performing the first test run.	

4.5.2 Replacing the serial measurement unit

Location of serial measurement unit

The serial measurement unit is located inside the base of the robot, as shown in the figure.

A more detailed view of the base may be found in the spare part view, see *Spare parts - Base, exploded view*.



xx0500001390

A	Base cover, including gasket. Serial measurement unit is located beneath the cover.
---	---

Continues on next page

4 Repair

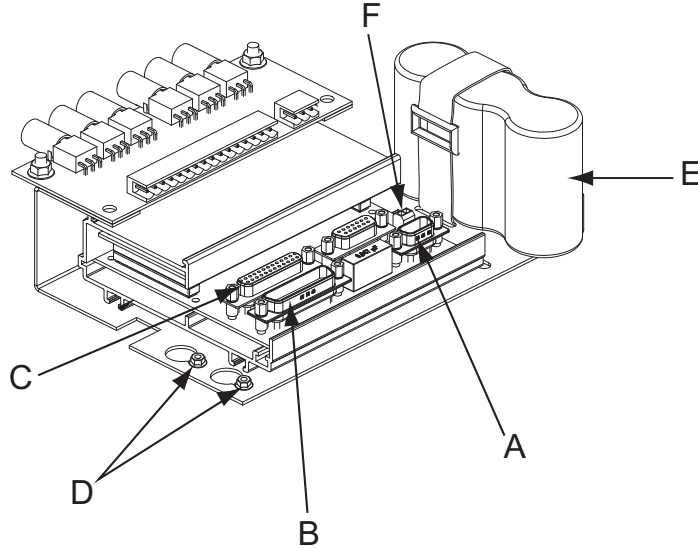
4.5.2 Replacing the serial measurement unit

Continued

Serial measurement unit layout

The complete spare part of the serial measurement unit is shown in the figure.

DSQC 633A

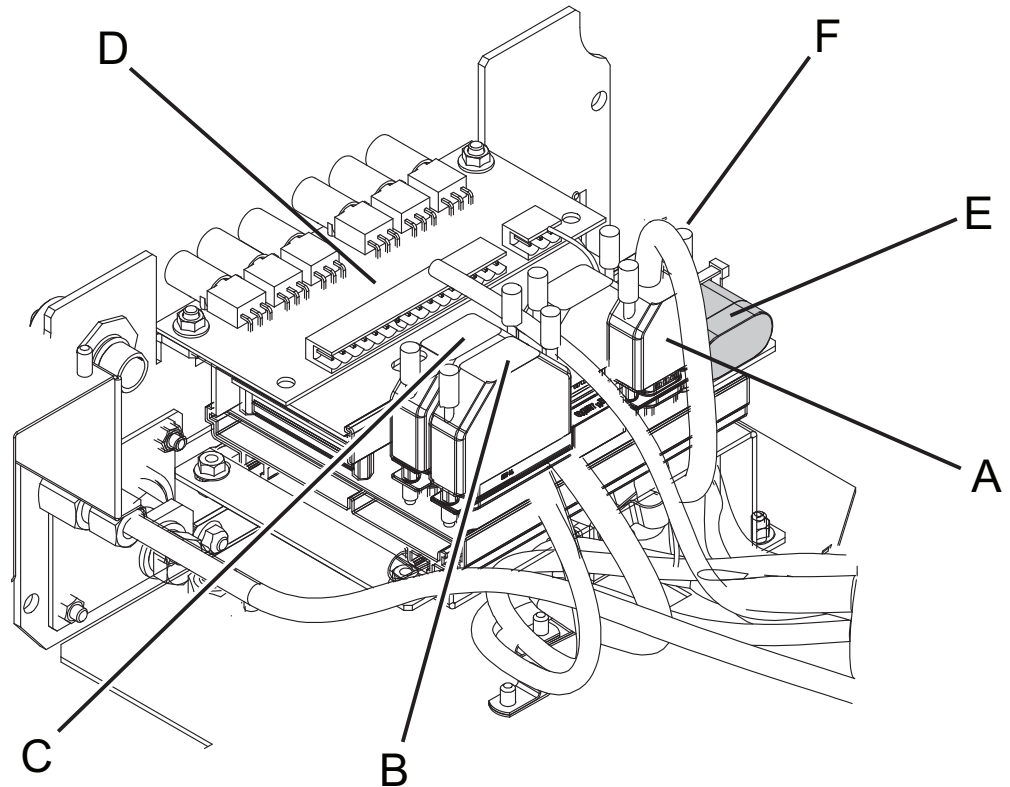


xx0500001391

A	Connector SMB
B	Connector SMB1-4
C	Connector SMB 3-6
D	Hexagon nuts (totally 4 pcs)
D	Hexagon nuts (totally 2 pcs). Only the outer nuts are used.
E	Battery pack (2-pole battery contact)
F	Battery cable connector

Continues on next page

RMU 101



xx130000331

A	Connector SMB
B	Connector SMB1-4
C	Connector SMB 3-6
D	BU unit
E	Battery pack (3-pole battery contact)
F	Battery cable connector

Required equipment



Note

There are different variants of SMB units and batteries. The variant with the 3-pole battery contact has longer lifetime for the battery. It is important that the SMB unit uses the correct battery. Make sure to order the correct spare parts. Do not replace the battery contact!

Equipment	Art. no.	Note
Serial measurement unit	See Spare part lists on page 387 .	
Battery pack	See Spare part lists on page 387 .	

Continues on next page

4 Repair

4.5.2 Replacing the serial measurement unit

Continued

Equipment	Art. no.	Note
Gasket, base cover	See <i>Spare part lists on page 387</i> .	
Centering piece	3HAC025815-001	Fitted to the push button unit in order to align it correctly. Replace if damaged.
Standard toolkit	-	Content is defined in section <i>Standard tools on page 383</i> .
Circuit diagram	-	See chapter <i>Circuit diagram on page 389</i> .


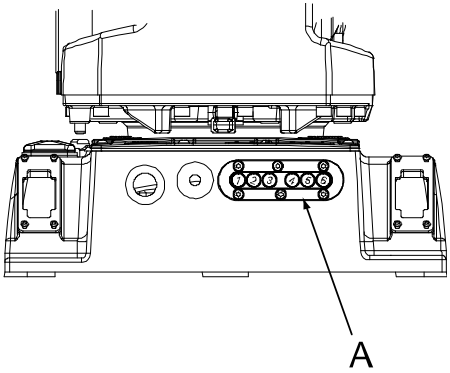


CAUTION

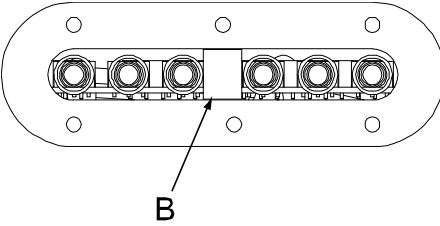

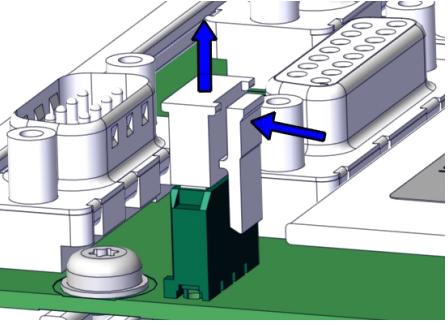
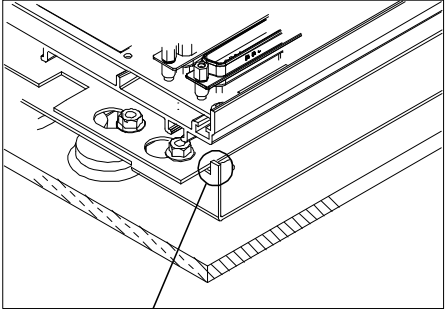
Always cut the paint with a knife and grind the paint edge when disassembling parts. See *Cut the paint or surface on the robot before replacing parts on page 152*.

Removing the serial measurement unit

Use this procedure remove the serial measurement unit.

Action	Note
<p>1</p>  <p>DANGER</p> <p>Turn off all:</p> <ul style="list-style-type: none"> • electric power supply • hydraulic pressure supply • air pressure supply <p>to the robot, before entering the robot working area.</p>	
<p>2 Remove the push button guard from the base.</p>	<p>The push button guard must be removed to ensure a correct refitting of the push buttons.</p>  <p>xx0600002744</p> <p>A Push button guard</p>

Continues on next page

	Action	Note
3	Remove the centering piece from the push button unit.	 <p>xx0600002776</p> <ul style="list-style-type: none"> • B: Centering piece
4	Remove the <i>base cover</i> .  CAUTION Clean cover from metal residues before opening. Metal residues can cause shortage on the boards which can result in hazardous failures.	Shown in the figure Location of serial measurement unit on page 239 .
5	Disconnect the battery cable by pressing down the upper lip of the R2.G connector to release the lock while pulling the connector upwards.	 <p>xx1700000993</p>
6	Disconnect all remaining connectors to the serial measurement unit and push button units.	
7	Unscrew the <i>hexagon nuts</i> on the serial measurement unit a little and slide the SMB unit out. Do not remove the nuts!	Shown in the figure Serial measurement unit layout on page 240 .
8	Lift and pull the serial measurement unit backwards, over the lip (A), and lift it away.	 <p>xx0500001455</p>

Continues on next page

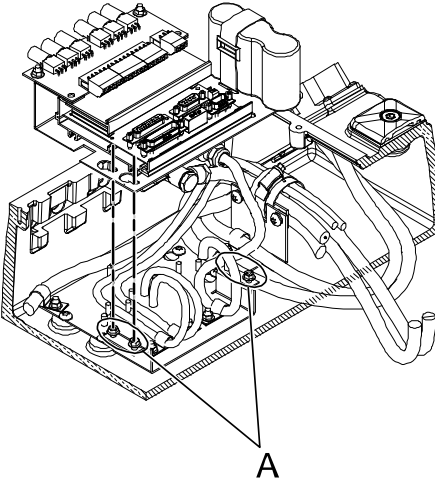
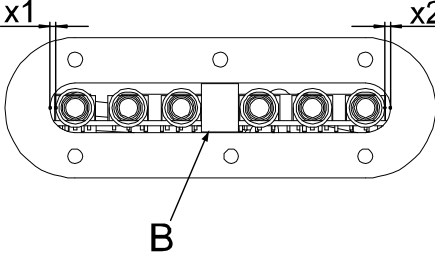

4 Repair

4.5.2 Replacing the serial measurement unit

Continued

Refitting the serial measurement unit

Use this procedure refit the serial measurement unit.

1	Action	Note
	Fit the serial measurement unit on to the four pins.	 <p data-bbox="962 887 1066 904">xx0500001392</p> <p data-bbox="991 920 1082 949">A Pins</p>
2	Slide the unit into position, within the lips, and secure with the four hexagon nuts.	Make sure the unit is positioned as straight as possible! The push buttons can otherwise get jammed.
3	Reconnect all the <i>connectors</i> . Make sure the lock on the battery cable connector R2.G snaps into place during refitting.	Shown in the figure Serial measurement unit layout on page 240 .
4	Refit the centering piece (B) to the push button unit in order to align it vertically. Also make sure that the unit is correctly aligned sideways: the measurements x1 and x2 in the figure to the right should not differ more than 1 mm from each other!	 <p data-bbox="962 1431 1066 1449">xx0600002777</p> <p data-bbox="962 1464 1406 1525">Art. no. for the centering piece is specified in Required equipment on page 241.</p>
5	Check the <i>gasket</i> of the base cover. Replace it if damaged.	Spare part no. is specified in Required equipment on page 241 .
6	Refit the <i>base cover</i> .	Shown in the figure Location of serial measurement unit on page 239 .
7	 <p data-bbox="552 1720 671 1749">WARNING</p> <p data-bbox="459 1783 951 1883">Before continuing any service work, follow the safety procedure in section The brake release buttons may be jammed after service work on page 154!</p>	
8	Refit the push button guard to the robot base.	

Continues on next page

	Action	Note
9	Press the push buttons 1 to 6, one at a time, to make sure that the buttons are moving freely and do not stay in any locked position.	
10	Update the revolution counters!	Detailed in section Updating revolution counters on IRC5 robots on page 340 .

4 Repair

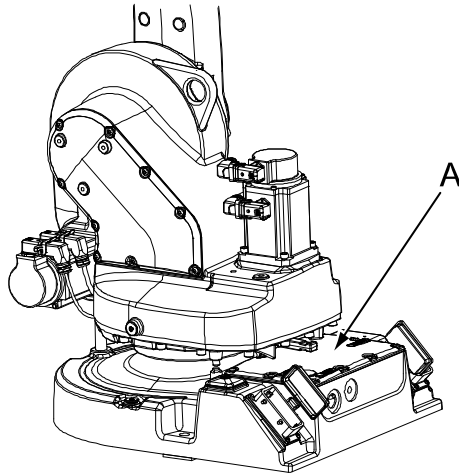
4.5.3 Replacing the push button unit

4.5.3 Replacing the push button unit

Location of push button unit

The push button unit for brake release is located inside the base of the robot.

A more detailed view of the component and its location is shown in the spare part view, see *Spare parts - Base, exploded view..*

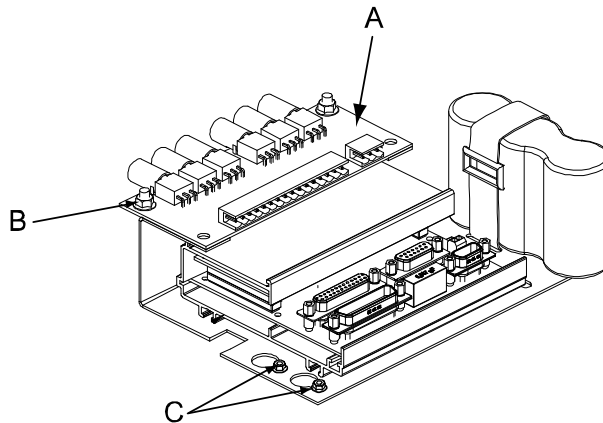


xx0500001390

A	Base cover, including gasket. Push button unit is located beneath the cover.
---	--

Push button unit on serial measurement unit

The push button unit is attached to the serial measurement unit as shown in the figure.



xx0500001394

A	Push button unit
B	Hexagon nuts (2 pcs)
C	Hexagon nuts, SMB unit (4 pcs). Only the outer ones are used.

Continues on next page

Required equipment



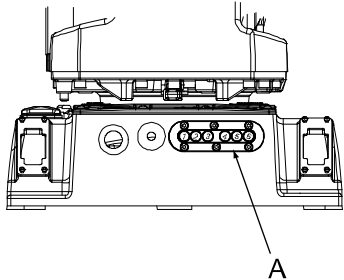
Equipment	Article number	Note
DSQC1054 Push button/Brake release unit	3HAC064944-001	
Gasket, base cover	3HAC022047-001	
Centering piece	3HAC025815-001	Fitted to the push button unit in order to align it correctly. Replace if damaged.
Standard toolkit		Content is defined in section Standard tools on page 383 .

**CAUTION**

Always cut the paint with a knife and grind the paint edge when disassembling parts. See [Cut the paint or surface on the robot before replacing parts on page 152](#).

Removing the push button unit

Use this procedure to remove the push button unit.

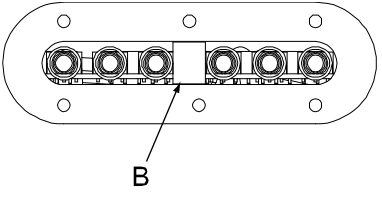

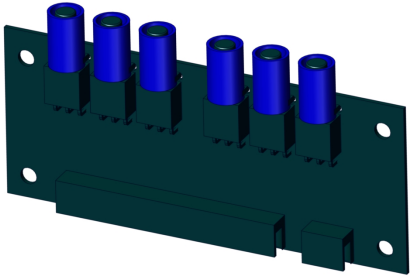
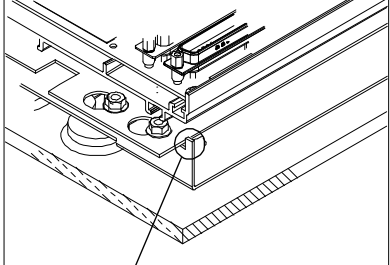
Action	Note
<p>1</p>  <p>DANGER</p> <p>Turn off all:</p> <ul style="list-style-type: none"> • electric power supply • hydraulic pressure supply • air pressure supply <p>to the robot, before entering the robot working area.</p>	
<p>2</p>  <p>ELECTROSTATIC DISCHARGE (ESD)</p> <p>The unit is sensitive to ESD. Before handling the unit read the safety information in section The unit is sensitive to ESD on page 57.</p>	
<p>3</p> <p>Remove the push button guard from the base.</p>	<p>The push button guard must be removed to ensure a correct refitting of the push button unit.</p>  <p>xx0600002744</p> <p>A Push button guard</p>

Continues on next page

4 Repair

4.5.3 Replacing the push button unit



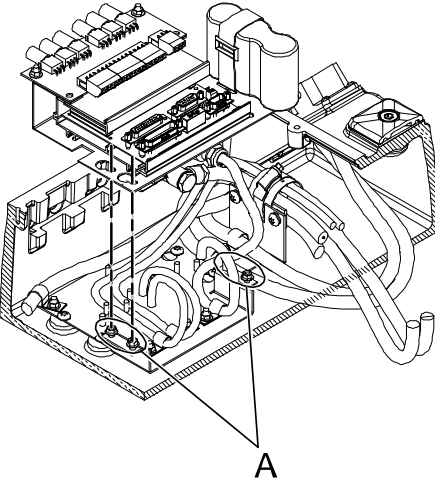
Continued

Action	Note
<p>4 Remove the centering piece from the push button unit.</p>	 <p>xx0600002776</p> <ul style="list-style-type: none"> • B: Centering piece
<p>5 Remove the <i>base cover</i> from the robot.</p> <p> CAUTION</p> <p>Clean cover from metal residues before opening.</p> <p>Metal residues can cause shortage on the boards which can result in hazardous failures.</p>	<p>Shown in the figure Location of push button unit on page 246.</p>
<p>6 Take a picture or make notes of how the robot cabling is positioned in regard to the push button unit.</p>	
<p>7 Disconnect the connectors from the <i>brake release board</i>.</p>	 <p>xx1800000171</p>
<p>8 Unscrew the four <i>hexagon nuts</i> on the <i>SMB unit</i> enough to enable lifting the unit. Do not remove the nuts.</p>	<p>Shown in the figure Push button unit on serial measurement unit on page 246.</p>
<p>9 Lift and pull the serial measurement unit backwards, over the lip (A), and lift it away.</p>	 <p>xx0500001455</p>
<p>10 Remove the two <i>hexagon nuts</i> from the push button unit.</p>	<p>Shown in the figure Push button unit on serial measurement unit on page 246.</p>
<p>11 Remove the push button unit by lifting it up.</p>	

Continues on next page

Refitting the push button unit

Use this procedure to refit the push button unit.

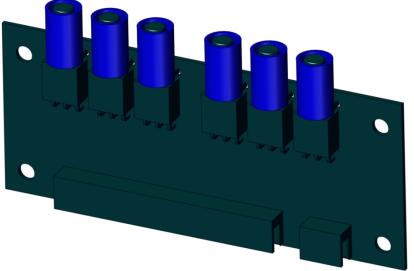

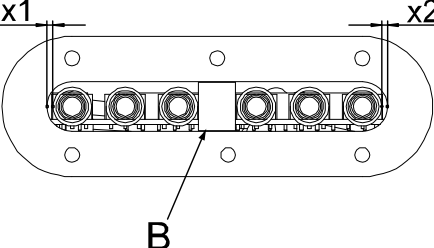

	Action	Note
1	 <p>DANGER</p> <p>Turn off all:</p> <ul style="list-style-type: none"> • electric power supply • hydraulic pressure supply • air pressure supply <p>to the robot, before entering the robot working area.</p>	
2	 <p>ELECTROSTATIC DISCHARGE (ESD)</p> <p>The unit is sensitive to ESD. Before handling the unit read the safety information in section The unit is sensitive to ESD on page 57.</p>	
3	<p>Fit the new <i>push button unit</i> to the serial measurement unit.</p>	<p>Maximum tightening torque: 5 Nm. Spare part no. is specified in Required equipment on page 247. Shown in the figure Push button unit on serial measurement unit on page 246.</p>
4	<p>Fit the serial measurement unit on to the four pins.</p>	 <p>xx0500001392</p> <p>A Pins</p>
5	<p>Slide the unit into position, within the lips, and secure with the four hexagon nuts.</p>	<p>Make sure the unit is positioned as straight as possible! The push buttons can otherwise get jammed.</p>

Continues on next page

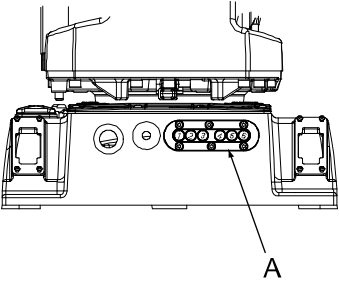

4 Repair

4.5.3 Replacing the push button unit

Continued

	Action	Note
6	<p>Reconnect all the connectors to the board. Be careful not to damage the sockets or pins. Make sure the connector and its locking arms are snapped down properly.</p>	 <p>xx1800000171</p>
7	<p>Verify that the robot cabling is positioned correctly, according to previously taken picture/notes.</p> <p> WARNING</p> <p>Screened cables must not get in contact with the brake release board after installation. Eliminate all risks of contact between screened cables and the brake release board.</p>	
8	<p>Check the <i>gasket</i> of the base cover. Replace it if damaged.</p>	<p>Spare part no. is specified in Required equipment on page 247.</p>
9	<p>Refit the base cover.</p>	<p>Shown in the figure Location of push button unit on page 246.</p>
10	<p>Refit the centering piece (B) to the push button unit in order to align it vertically. Also make sure that the unit is correctly aligned sideways: the measurements x1 and x2 in the figure to the right should not differ more than 1 mm from each other!</p>	 <p>xx0600002777</p>
11	<p> WARNING</p> <p>Before continuing any service work, follow the safety procedure in section The brake release buttons may be jammed after service work on page 154!</p>	

Continues on next page

	Action	Note
12	Refit the push button guard to the robot base.	 <p data-bbox="991 595 1098 613">xx0600002744</p> <p data-bbox="1023 629 1267 658">A Push button guard</p>
13	Press the push buttons 1 to 6, one at a time, to make sure that the buttons are moving freely and do not stay in any locked position.	
14	Update the revolution counters!	Detailed in section Updating revolution counters on IRC5 robots on page 340 .
15	 <p data-bbox="580 882 687 904">DANGER</p> <p data-bbox="491 943 959 994">Make sure all safety requirements are met when performing the first test run.</p>	

4 Repair

4.6.1 Replacement of motor, axis 1

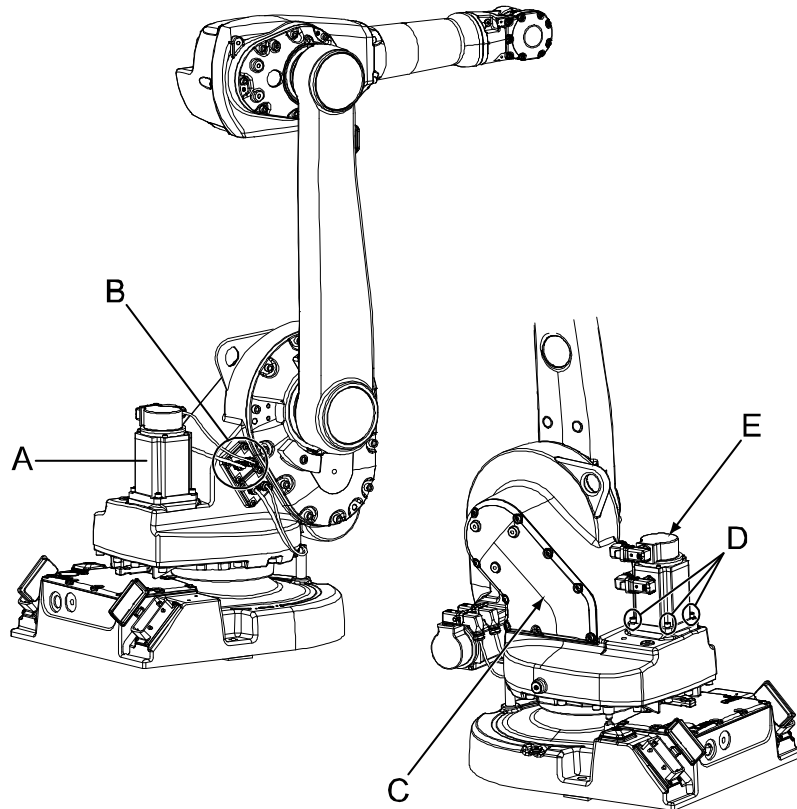
4.6 Motors

4.6.1 Replacement of motor, axis 1

Location of motor

The axis 1 motor is located on the frame, as shown in the figure.

A more detailed view of the motor and its position may be found in the spare part view, see *Spare parts - Frame, exploded view*.



xx0400001256

A	Motor, axis 1
B	Connector plate for motor cabling
C	Cover, frame
D	Attachment screws, motor (4 pcs)
E	Motor cover

Required equipment

Equipment	Art. no.	Note
Standard, Rot. ac motor incl. pinion	For spare part number, see: <ul style="list-style-type: none">Spare part lists on page 387	Cable harness, motor axes 1-2 must be ordered separately.

Continues on next page

Equipment	Art. no.	Note
Cable harness, motor axes 1-2	For spare part number, see: <ul style="list-style-type: none"> Spare part lists on page 387 	
O-ring	21522012-428	O-ring, motor. Replace if damaged.
Gasket, gearbox axis 1-2	For spare part number, see: <ul style="list-style-type: none"> Spare part lists on page 387 	Replace if damaged.
Power supply	-	24 VDC, max 1.5 A For releasing the brakes.
Isopropanol	-	Used to clean mating surfaces.
Locking liquid	-	Loctite 574
Rotation tool, motor	3HAC022266-003	
Standard toolkit	-	Content is defined in section Standard tools on page 383 .
Circuit diagram	-	See Circuit diagram on page 389 .

**CAUTION**

Always cut the paint with a knife and grind the paint edge when disassembling parts. See [Cut the paint or surface on the robot before replacing parts on page 152](#).

Deciding calibration routine

Decide which calibration routine to be used, based on the information in the table. Depending on which routine is chosen, action might be required prior to beginning the repair work of the robot, see the table.

	Action	Note
1	Decide which calibration routine to use for calibrating the robot. <ul style="list-style-type: none"> Reference calibration. External cable packages (DressPack) and tools can stay fitted on the robot. Fine calibration. All external cable packages (DressPack) and tools must be removed from the robot. 	
	<p>If the robot is to be calibrated with reference calibration:</p> <p>Find previous reference values for the axis or create new reference values. These values are to be used after the repair procedure is completed, for calibration of the robot.</p> <p>If no previous reference values exist, and no new reference values can be created, then reference calibration is not possible.</p>	<p>Follow the instructions given in the reference calibration routine on the FlexPendant to create reference values.</p> <p>Creating new values requires possibility to move the robot.</p> <p>Read more about reference calibration for Axis Calibration in <i>Product manual - IRB 4600</i>.</p>

Continues on next page

4 Repair


4.6.1 Replacement of motor, axis 1

Continued

Action	Note
If the robot is to be calibrated with fine calibration: Remove all external cable packages (DressPack) and tools from the robot.	


Removing the motor axis 1

Use this procedure to remove the motor, axis 1.


	Action	Note
1	Decide which calibration routine to use, and take actions accordingly prior to beginning the repair procedure.	
2	 DANGER Turn off all: <ul style="list-style-type: none">• electric power supply• hydraulic pressure supply• air pressure supply to the robot, before entering the robot working area.	
3	Remove the <i>cover, frame</i> .	Shown in the figure Location of motor on page 252 .
4	Disconnect the connectors for the motor.	
5	Loosen the <i>connector plate</i> from the frame.	
6	Pull out the motor cabling carefully.	
7	In order to release the brakes, connect the 24 VDC power supply to the motor.	Connect to connector R3.MP1: <ul style="list-style-type: none">• +: pin 7• -: pin 8
8	Unscrew the <i>attachment screws</i> securing the motor.	Shown in the figure Location of motor on page 252 .
9	Remove the motor by gently lifting it straight up, making sure the motor pinion is not damaged against the gear.	
10	Disconnect the brake release voltage from the motor connector.	

Refitting the motor axis 1

Use this procedure to refit the motor, axis 1.

	Action	Note
1	 DANGER Turn off all: <ul style="list-style-type: none">• electric power supply• hydraulic pressure supply• air pressure supply to the robot, before entering the robot working area.	

Continues on next page


	Action	Note
2	 Note It is important that the gearbox and the mating motor pinion are provided by the same sub-supplier, make sure to order the correct spare part! To determine the correct spare part, see <i>Compatible gearboxes and motors in Product manual, spare parts - IRB 1600/1660</i> .	
3	Clean the mating surfaces.	
4	Replace the <i>o-ring</i> if damaged. <ol style="list-style-type: none"> 1 Apply enough Loctite 574 to the motor groove. 2 Refit the <i>o-ring</i>. Make sure the <i>o-ring</i> on the circumference of the motor is seated properly. 	Spare part number is specified in Required equipment on page 252 .
5	Remove the <i>motor cover</i> from top of the motor.	Shown in the figure Location of motor on page 252 .
6	In order to release the brakes, connect the 24 VDC power supply to the motor.	Connect to connector R3.MP1: <ul style="list-style-type: none"> • +: pin 7 • -: pin 8
7	Fit the <i>rotation tool</i> to the end of the motor shaft.	Article number is specified in Required equipment on page 252 .
8	Fit the motor, making sure the motor pinion is properly mated to the gear of gearbox, axis 1. Use the <i>rotation tool</i> to rotate the motor pinion, when mating it to the gear.	
9	Secure the motor with four attachment screws and washers, but do not tighten yet.	4 pcs, M8 x 25.
10	Adjust the motor in relation to the gear in the gearbox: <ul style="list-style-type: none"> • use the rotation tool to wiggle the motor shaft back and forth to feel the play. Tap with a plastic mallet. • position the motor pinion at at least two other positions by turning axis 1 manually and check the gear play again. 	There should be a barely noticeable gear play.
11	Tighten the motor attachment screws.	Tightening torque: 35 Nm.
12	Disconnect the brake release voltage.	
13	Refit the <i>motor cover</i> to top of the motor.	Shown in the figure Location of motor on page 252 .
14	Insert the motor cabling through the frame and secure the <i>connector plate</i> with attachment screws.	4 pcs.
15	Connect all the connectors.	The cable layout is shown in the figure Illustration, cabling inside frame on page 161 .
16	Refit the cover, frame. Replace the <i>gasket</i> , if damaged.	

Continues on next page

4 Repair

4.6.1 Replacement of motor, axis 1

Continued

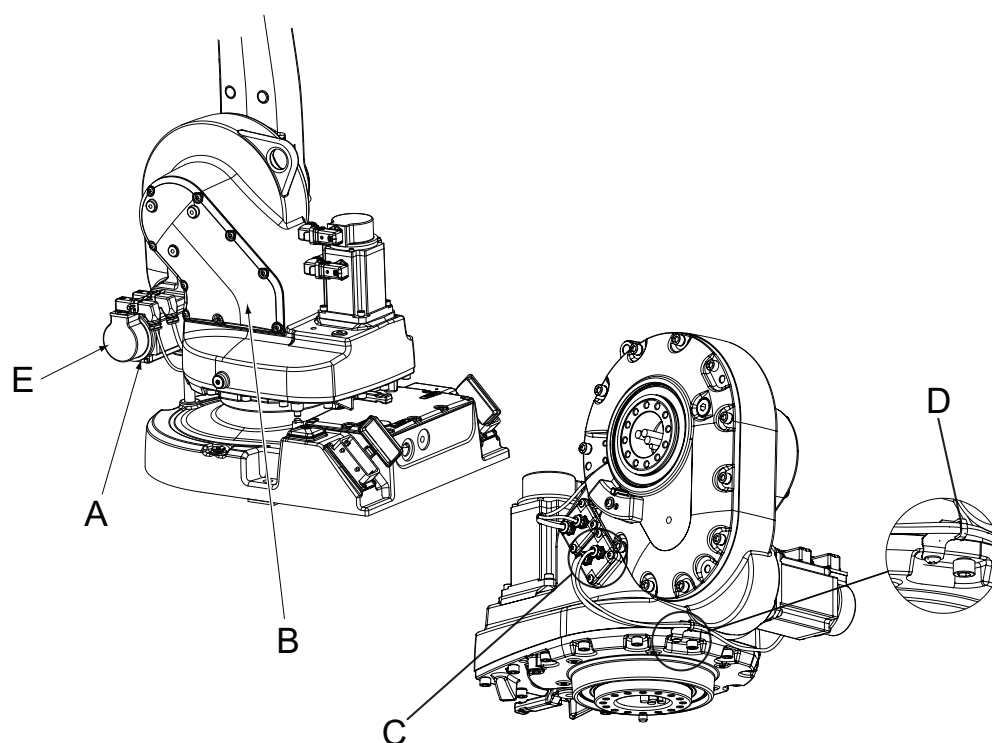
	Action	Note
17	Recalibrate the robot!	<p>Pendulum Calibration is described in <i>Operating manual - Calibration Pendulum</i>, enclosed with the calibration tools.</p> <p>Axis Calibration is described in Calibrating with Axis Calibration method on page 344.</p> <p>General calibration information is included in section Calibration on page 331.</p>
18	 DANGER Make sure all safety requirements are met when performing the first test run.	

4.6.2 Replacement of motor, axis 2

Location of motor axis 2

The motor axis 2 is located on the front of the robot as shown in the figure.

A more detailed view of the motor and its position may be found in the spare part view, see *Spare parts - Frame, exploded view*.



xx0400001257

A	Motor, axis 2
B	Cover, frame
C	Connector plate for motor cabling
D	Bracket and cable tie
E	Motor cover

Required equipment

Equipment, etc.	Art. no.	Note
Rot. ac motor with pinion	For spare part number, see: <ul style="list-style-type: none"> Spare part lists on page 387 	
Cable harness, motor axes 1-2	For spare part number, see: <ul style="list-style-type: none"> Spare part lists on page 387 	

Continues on next page

4 Repair

4.6.2 Replacement of motor, axis 2

Continued

Equipment, etc.	Art. no.	Note
O-ring	21522012-428	Must be replaced when replacing motor.
Gasket, gearbox axis 1-2	For spare part number, see: <ul style="list-style-type: none"> Spare part lists on page 387 	Replace if damaged.
Locking liquid		Loctite 574
Isopropanol	-	For cleaning mating surfaces.
Standard toolkit	-	Content is defined in section Standard tools on page 383 .
Rotation tool, motor	3HAC022266-003	For adjusting the gear play, motor/pinion
Power supply	-	24 VDC, 1.5 A. For releasing the brakes.
Other tools and procedures may be required. See references to these procedures in the step-by-step instructions below.		These procedures include references to the tools required.
Circuit diagram	-	See chapter Circuit diagram on page 389 .



CAUTION

Always cut the paint with a knife and grind the paint edge when disassembling parts. See [Cut the paint or surface on the robot before replacing parts on page 152](#).

Deciding calibration routine

Decide which calibration routine to be used, based on the information in the table. Depending on which routine is chosen, action might be required prior to beginning the repair work of the robot, see the table.




	Action	Note
1	Decide which calibration routine to use for calibrating the robot. <ul style="list-style-type: none"> Reference calibration. External cable packages (DressPack) and tools can stay fitted on the robot. Fine calibration. All external cable packages (DressPack) and tools must be removed from the robot. 	
	<p>If the robot is to be calibrated with reference calibration:</p> <p>Find previous reference values for the axis or create new reference values. These values are to be used after the repair procedure is completed, for calibration of the robot.</p> <p>If no previous reference values exist, and no new reference values can be created, then reference calibration is not possible.</p>	<p>Follow the instructions given in the reference calibration routine on the FlexPendant to create reference values.</p> <p>Creating new values requires possibility to move the robot.</p> <p>Read more about reference calibration for Axis Calibration in <i>Product manual - IRB 4600</i>.</p>

Continues on next page

Action	Note
<p>If the robot is to be calibrated with fine calibration:</p> <p>Remove all external cable packages (DressPack) and tools from the robot.</p>	

Removal, motor axis 2

The procedure below details how to remove the axis 2 motor.


	Action	Note
1	Decide which calibration routine to use, and take actions accordingly prior to beginning the repair procedure.	
2	 <p>DANGER</p> <p>Turn off all:</p> <ul style="list-style-type: none"> • electric power supply • hydraulic pressure supply • air pressure supply <p>to the robot, before entering the robot working area.</p>	
3	 <p>CAUTION</p> <p>Always cut the paint with a knife and grind the paint edge when disassembling parts. See Cut the paint or surface on the robot before replacing parts on page 152.</p>	
4	Remove the <i>cover, frame</i> .	Shown in the figure Location of motor axis 2 on page 257 .
5	Disconnect the motor connectors inside the frame.	Connectors: <ul style="list-style-type: none"> • R3.MP2 • R3.FB2
6	Cut any cable ties and remove any brackets or clamps securing the cables.	
7	Remove the <i>connector plate</i> by removing its attachment screws, and pull the cables out from the frame.	Shown in the figure Location of motor axis 2 on page 257 .
8	 <p>DANGER</p> <p>Secure the weight of the lower arm properly before releasing the brakes of motor, axis 2!</p> <p>When releasing the holding brakes of the motor, the lower arm will be movable and may fall down!</p>	
9	In order to release the brakes, connect the 24 VDC power supply to the motor.	Connect to connector R3.MP2 <ul style="list-style-type: none"> • +: pin 7 • -: pin 8

Continues on next page

4 Repair


4.6.2 Replacement of motor, axis 2

Continued



	Action	Note
10	 WARNING Oil will be running out of the motor attachment hole when removing the motor! It may also be hot! Take any necessary measures to collect the oil.	
11	Remove the motor by unscrewing its four <i>attachment screws</i> and plain washers.	Shown in the figure Location of motor axis 2 on page 257 .
12	Remove the motor by gently pulling it out, making sure the motor pinion does not get damaged while moving it away from the gear.	
13	Disconnect the brake release voltage.	
14	Remove any remaining oil from the gearbox by siphoning it off.	

Refitting, motor axis 2

The procedure below details how to refit the axis 2 motor.

	Action	Note
1	 Note It is important that the gearbox and the mating motor pinion are provided by the same sub-supplier, make sure to order the correct spare part! To determine the correct spare part, see <i>Compatible gearboxes and motors in Product manual, spare parts - IRB 1600/1660</i> .	
2	Clean the joints that have been opened. See Cut the paint or surface on the robot before replacing parts on page 152	
3	Make sure the mating surfaces on the motor and the gearbox are clean and free from burrs. If necessary, clean the surfaces with isopropanol.	
4	Replace the <i>o-ring</i> if damaged. <ol style="list-style-type: none"> 1 Apply enough Loctite 574 to the motor groove. 2 Refit the <i>o-ring</i>. Make sure the <i>o-ring</i> on the circumference of the motor is seated properly. 	Art. no. is specified in section Required equipment on page 257 .
5	In order to release the brakes, connect the 24 VDC power supply to the motor.	Connect to connector R3.MP2: <ul style="list-style-type: none"> • +: pin 7 • -: pin 8
6	Remove the <i>motor cover</i> from top of the motor.	Shown in the figure Location of motor axis 2 on page 257 .
7	Fit the <i>rotation tool</i> to the end of the motor shaft.	Art. no. is specified in section Required equipment on page 257 .
8	Fit the motor, making sure the motor pinion is properly mated to gearbox 2. Use the rotation tool to rotate the motor pinion, when mating it to the gear.	Make sure the motor is turned the right way, i.e. connections upwards. Make sure the motor pinion does not get damaged!

Continues on next page

	Action	Note
9	Secure the motor with four attachment screws and plain washers, but do not tighten yet.	4 pcs, M8 x 25. Tightening torque: approx 2 Nm.
10	Adjust the motor in relation to the gear in the gearbox. Use the rotation tool to wiggle the motor shaft back and forth to feel the play. Tap with a plastic mallet.	There should be a barely noticeable gear play.
11	Refit the motor cover to the top of the motor. Be careful not to damage the cables!	
12	Tighten the motor attachment screws.	Tightening torque: 35 Nm
13	Disconnect the brake release voltage.	
14	Refit the <i>connector plate</i> with its attachment screws.	Shown in the figure Location of motor axis 2 on page 257 .
15	Reconnect the motor connectors inside the frame.	Cable layout is shown in the figure Illustration, cabling inside frame on page 161 .
16	Refit all cable ties, and the <i>bracket</i> underneath the frame.	Shown in the figure Location of motor axis 2 on page 257 .
17	Refit the <i>cover, frame</i> . Replace the gasket, if damaged.	Shown in the figure Location of motor axis 2 on page 257 . Art. no. for the gasket is specified in section Required equipment on page 257 .
18	Perform a leak-down test.	Detailed in section Performing a leak-down test on page 146 .
19	Refill the gearbox with oil.	See, Technical reference manual - Lubrication in gearboxes .
20	Seal and paint the joints that have been opened. See Cut the paint or surface on the robot before replacing parts on page 152  Note After all repair work, wipe the robot free from particles with spirit on a lint free cloth.	
21	Recalibrate the robot!	Pendulum Calibration is described in Operating manual - Calibration Pendulum , enclosed with the calibration tools. Axis Calibration is described in Calibrating with Axis Calibration method on page 344 . General calibration information is included in section Calibration on page 331 .
22	 DANGER Make sure all safety requirements are met when performing the first test run.	

4 Repair

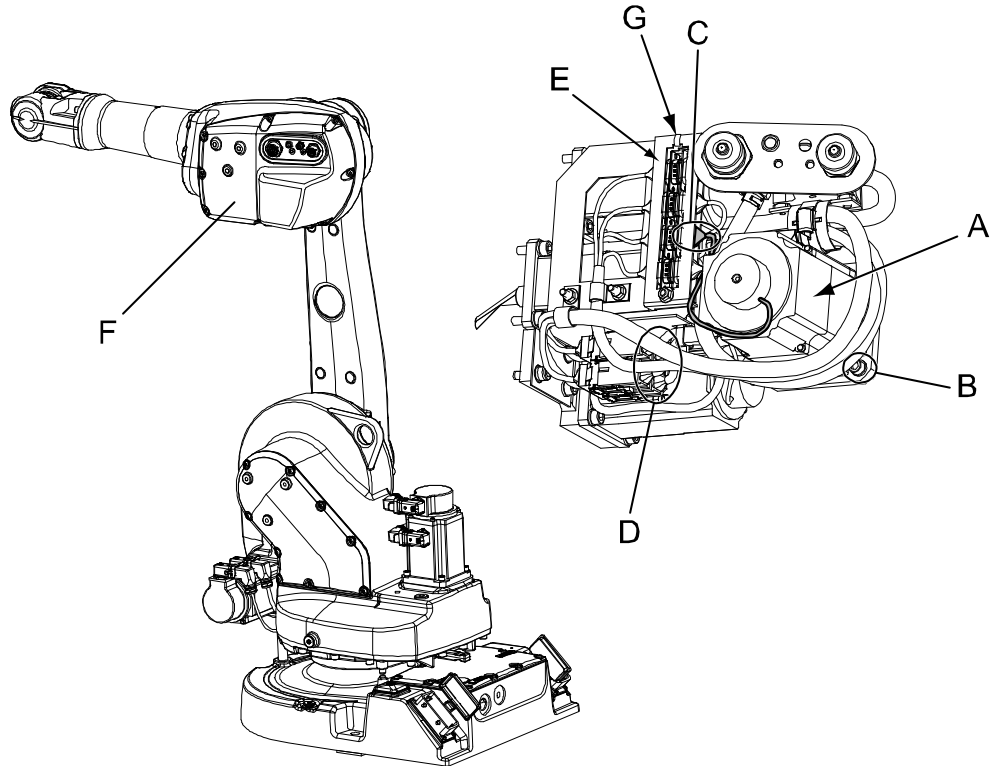
4.6.3 Replacement of motor, axis 3, IRB 1600

4.6.3 Replacement of motor, axis 3, IRB 1600

Location of motor

The motor of axis 3 is located inside the upper arm housing, as shown in the figure below.

A more detailed view of the motor and its position may be found in the spare part view, *Spare parts - Upper arm, exploded view*.



xx0400001258

A	Motor, axis 3
B	Attachment screws and washers of the motor (4 pcs)
C	Signal connector R3.FB3
D	Power connector R3.MP3
E	Connector holder
F	Upper arm housing cover
G	Cable tie

Required equipment

Equipment	Art. no.	Note
Rot. ac motor incl pinion	For spare part number, see: <ul style="list-style-type: none">• Spare part lists on page 387	
O-ring	21522012-426	Replace if damaged.

Continues on next page

Equipment	Art. no.	Note
Gasket, upper arm cover	3HAC022049-001	Replace if damaged.
Gasket, customer connections	3HAC022050-001	Replace if damaged.
Isopropanol	-	Used for cleaning the mating surfaces.
Grease	3HAC042536-001	Used for lubricating the o-ring.
Rotation tool, motor	3HAC022266-003	For adjusting the gear play.
Other tools and procedures may be required. See references to these procedures in the step-by-step instructions below.		These procedures include references to the tools required.
Circuit diagram		See chapter Circuit diagram on page 389 .

**CAUTION**

Always cut the paint with a knife and grind the paint edge when disassembling parts. See [Cut the paint or surface on the robot before replacing parts on page 152](#).

Deciding calibration routine

Decide which calibration routine to be used, based on the information in the table. Depending on which routine is chosen, action might be required prior to beginning the repair work of the robot, see the table.

	Action	Note
1	<p>Decide which calibration routine to use for calibrating the robot.</p> <ul style="list-style-type: none"> Reference calibration. External cable packages (DressPack) and tools can stay fitted on the robot. Fine calibration. All external cable packages (DressPack) and tools must be removed from the robot. 	
	<p>If the robot is to be calibrated with reference calibration:</p> <p>Find previous reference values for the axis or create new reference values. These values are to be used after the repair procedure is completed, for calibration of the robot.</p> <p>If no previous reference values exist, and no new reference values can be created, then reference calibration is not possible.</p>	<p>Follow the instructions given in the reference calibration routine on the FlexPendant to create reference values.</p> <p>Creating new values requires possibility to move the robot.</p> <p>Read more about reference calibration for Axis Calibration in <i>Product manual - IRB 4600</i>.</p>
	<p>If the robot is to be calibrated with fine calibration:</p> <p>Remove all external cable packages (DressPack) and tools from the robot.</p>	

Continues on next page


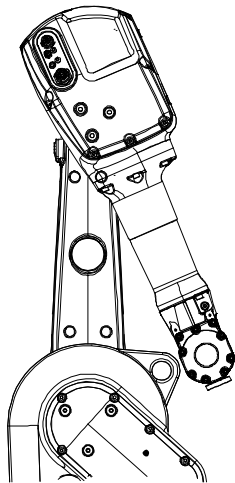

4 Repair

4.6.3 Replacement of motor, axis 3, IRB 1600

Continued

Removal, motor axis 3


The procedure below details how to remove the axis 3 motor.

	Action	Note
1	Decide which calibration routine to use, and take actions accordingly prior to beginning the repair procedure.	
2	 DANGER Turn off all: <ul style="list-style-type: none"> • electric power supply • hydraulic pressure supply • air pressure supply to the robot, before entering the robot working area.	
3	Remove any additional mechanical stops from axis 3.	
4	Move: <ul style="list-style-type: none"> • axis 2 to calibration position • upper arm backwards against the mechanical stop. This position enables removal of the motor without draining of the gearbox, axis 3.	 <p>xx0500001447</p>
5	Remove the <i>upper arm housing cover</i> .	Shown in the figure Location of motor on page 262 .
6	Disconnect the motor connectors R3.MP3 and R3.FB3.	Shown in the figure Location of motor on page 262 .
7	 DANGER Secure the weight of the upper arm properly before releasing the brakes of motor, axis 3. When releasing the holding brakes of the motor, the upper arm will be movable and may fall down!	
8	In order to release the brakes, connect the 24 VDC power supply to the motor.	Connect to connector R3.MP3: <ul style="list-style-type: none"> • +: pin 7 • -: pin 8
9	Remove the motor, axis 3, by unscrewing its attachment screws and washers. Lift the motor gently straight out, making sure the motor pinion is not damaged.	
10	Disconnect the brake release voltage.	

Continues on next page

Refitting, motor axis 3

The procedure below details how to refit the axis 3 motor.


	Action	Note
1	 Note It is important that the gearbox and the mating motor pinion are provided by the same sub-supplier, make sure to order the correct spare part! To determine the correct spare part, see <i>Compatible gearboxes and motors</i> in <i>Product manual, spare parts - IRB 1600/1660</i> .	
2	Clean the mating surfaces inside the upper arm housing and on the motor with isopropanol.	
3	Make sure the <i>o-ring</i> on the circumference of the motor is seated properly. Lightly lubricate it with grease.	Replace the o-ring if damaged. Art .no. is specified in section Required equipment on page 262 .
4	In order to release the brakes, connect the 24 VDC power supply to the motor.	Connect to connector R3.MP3: <ul style="list-style-type: none"> • +: pin 7 • -: pin 8
5	Fit the motor to the upper arm housing, making sure the motor pinion is properly mated to the gear of axis 3.	
6	Fit the <i>attachment screws and washers</i> but do not tighten them yet.	4 pcs, M6 x 20. Shown in the figure Location of motor on page 262 .
7	Fit the <i>rotation tool</i> to the end of the motor shaft.	Art. no. is specified in Required equipment on page 262 .
8	Adjust the motor in relation to the gear. Use the rotation tool to wiggle the motor shaft back and forth to feel the play.	There should be a barely noticeable gear play.
9	Tighten the motor attachment screws.	Tightening torque: 10 Nm.
10	Disconnect the brake release voltage.	
11	Reconnect the motor connectors, run and secure the cabling correctly inside the upper arm housing.	Cable layout is shown in the figure Illustration, cabling inside upper arm housing on page 159 .
12	Refit the <i>cover, upper arm housing</i> . Check both the <i>gaskets</i> and replace, if damaged.	Shown in the figure Location of motor on page 262 . Art. no. is specified in section Required equipment on page 262 .
13	Refit any additional mechanical stops.	Detailed in section Installation of additional mechanical stops on axis 3 on page 105 .

Continues on next page

4 Repair

4.6.3 Replacement of motor, axis 3, IRB 1600

Continued

	Action	Note
14	Recalibrate the robot!	<p>Pendulum Calibration is described in <i>Operating manual - Calibration Pendulum</i>, enclosed with the calibration tools.</p> <p>Axis Calibration is described in Calibrating with Axis Calibration method on page 344.</p> <p>General calibration information is included in section Calibration on page 331.</p>
15	 DANGER Make sure all safety requirements are met when performing the first test run.	

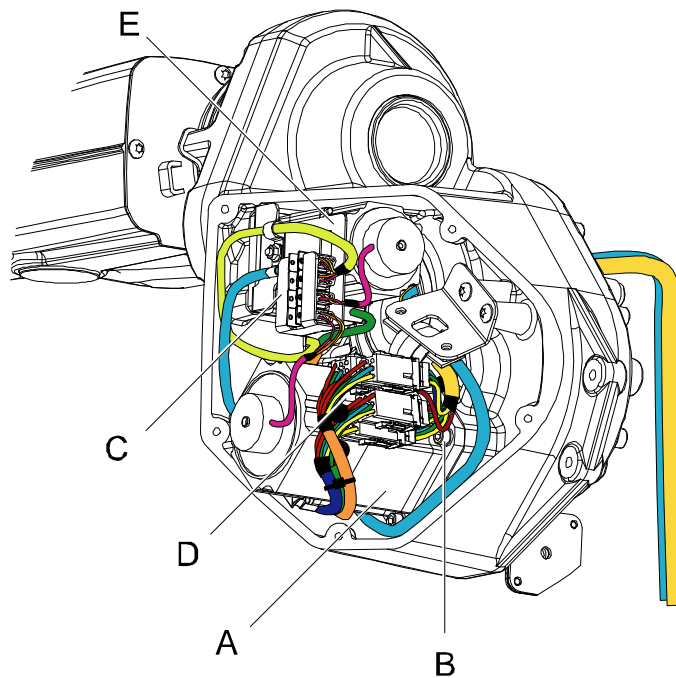
4.6.4 Replacement of motor, axis 3, 1600ID/1660ID

**Note**

After replacement of motors/motor in a manipulator, recalibration is required.

Location of motor

The motor of axis 3 is located inside the upper arm housing, as shown in the figure below.



xx070000008

A	Motor, axis 3
B	Attachment screws and washers of the motor (4 pcs)
C	Signal connector R3.FB3
D	Power connector R3.MP3
E	Connector holder

Required equipment

Equipment	Art.no.	Note
Rot. ac motor incl pinion	For spare part number, see: <ul style="list-style-type: none"> • Spare part lists on page 387. 	
O-ring	3HAB3772-100	
Isopropanol		Used for cleaning the mating surfaces.
Grease		

Continues on next page

4 Repair

4.6.4 Replacement of motor, axis 3, 1600ID/1660ID

Continued

Equipment	Art.no.	Note
Standard tools		Standard tools on page 383
Circuit diagram		
Pendulum Calibration tool		



CAUTION

Always cut the paint with a knife and grind the paint edge when disassembling parts. See [Cut the paint or surface on the robot before replacing parts on page 152.](#)

Deciding calibration routine


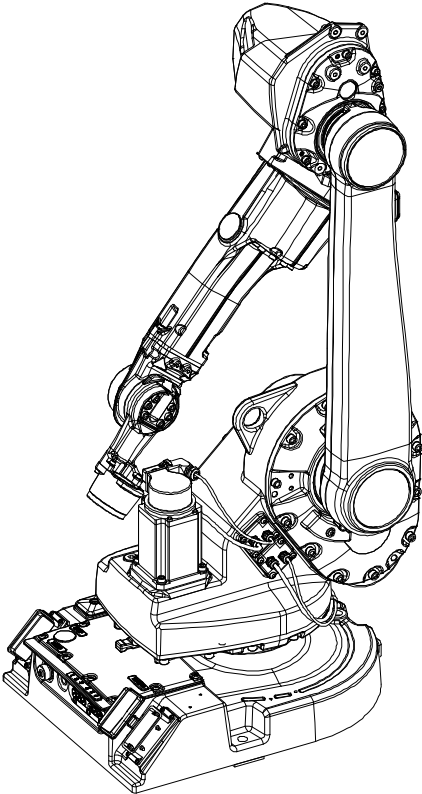
Decide which calibration routine to be used, based on the information in the table. Depending on which routine is chosen, action might be required prior to beginning the repair work of the robot, see the table.

	Action	Note
1	Decide which calibration routine to use for calibrating the robot. <ul style="list-style-type: none"> Reference calibration. External cable packages (DressPack) and tools can stay fitted on the robot. Fine calibration. All external cable packages (DressPack) and tools must be removed from the robot. 	
	If the robot is to be calibrated with reference calibration: Find previous reference values for the axis or create new reference values. These values are to be used after the repair procedure is completed, for calibration of the robot. If no previous reference values exist, and no new reference values can be created, then reference calibration is not possible.	Follow the instructions given in the reference calibration routine on the FlexPendant to create reference values. Creating new values requires possibility to move the robot. Read more about reference calibration for Axis Calibration in <i>Product manual - IRB 4600</i> .
	If the robot is to be calibrated with fine calibration: Remove all external cable packages (DressPack) and tools from the robot.	

Removal, motor axis 3

	Action	Note
1	Decide which calibration routine to use, and take actions accordingly prior to beginning the repair procedure.	

Continues on next page



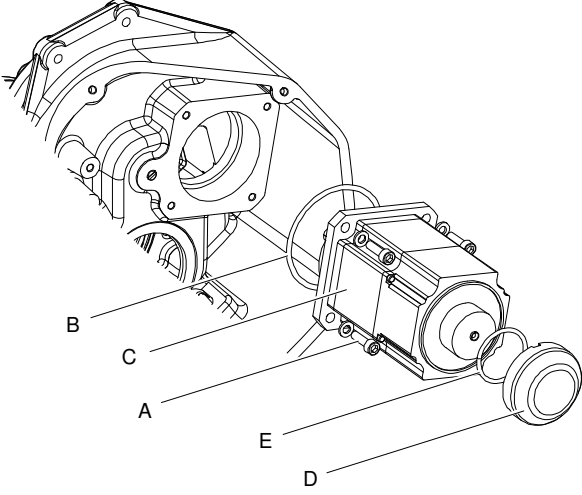
	Action	Note
2	 DANGER Turn off all: <ul style="list-style-type: none"> • electric power supply • hydraulic pressure supply • air pressure supply to the robot, before entering the robot working area.	
3	In order to release the brakes, connect the 24 VDC power supply to the motor.	Connect to connector R3.MP3: <ul style="list-style-type: none"> • +: pin 7 • -: pin 8
4	Remove any additional mechanical stops from axis 3.	
5	Move: <ul style="list-style-type: none"> • axis 2 to calibration position • upper arm backwards against the mechanical stop This position enables removal of the motor without draining oil of the gearbox, axis 3.	 <p style="text-align: right; font-size: small;">xx0700000010</p>
6	Remove the <i>upper arm housing cover</i> .	Shown in the figure Location of motor on page 267
7	Disconnect the motor connectors R3.MP3 and R3.FB3.	Shown in the figure Location of motor on page 267

Continues on next page

4 Repair

4.6.4 Replacement of motor, axis 3, 1600ID/1660ID


Continued

	Action	Note
8	<p> DANGER</p> <p>Secure the weight of the upper arm properly before releasing the brakes of motor, axis 3.</p> <p>When releasing the holding brakes of the motor, the upper arm will be movable and fall down!</p>	
9	<p> DANGER</p> <p>The motor has a high temperature after running which can occur burns.</p>	
10	<p>Remove the motor, axis 3, by unscrewing its attachment screws and washers.</p> <p>Lift the motor gently straight out, making sure the motor pinion is not damaged.</p>	 <p>xx0700000050</p> <ul style="list-style-type: none"> A Hex socket head cap screw B O-ring C Motor axis 3 D Resolver cover E O-ring
11	<p>Remove the resolver cover for refitting on the new motor.</p>	
12	<p>Disconnect the brake release voltage.</p>	

Continues on next page

Refitting, motor axis 3

The procedure below details how to refit the axis 3 motor.


	Action	Note
1	 Note It is important that the gearbox and the mating motor pinion are provided by the same sub-supplier, make sure to order the correct spare part! To determine the correct spare part, see <i>Compatible gearboxes and motors</i> in <i>Product manual, spare parts - IRB 1600/1660</i> .	
2	Clean the mating surfaces inside the upper arm housing and on the motor with Isopropanol.	
3	Make sure the <i>o-ring</i> on the circumference of the motor is seated properly. Lubricate it with grease.	Replace the o-ring if damaged. Part number is specified in section Required equipment on page 262 .
4	Fit the new motor to the upper arm housing, making sure the motor pinion is properly mated to the gear of axis 3.	
5	Fit the <i>attachment screws and washers</i> but do not tighten them yet.	4 pcs, M6 x 20. Shown in the figure Location of motor on page 267 .
6	Fit the <i>rotation tool</i> to the end of the motor shaft.	Part number is specified in Required equipment on page 262 .
7	Adjust the motor in relation to the gear. Use the rotation tool to wiggle the motor shaft back and forth to feel the play.	There should be a barely noticeable gear play.
8	Tighten the motor attachment screws.	Tightening torque: 10 Nm.
9	Refit the resolver cover on the new motor.	
10	Reconnect the motor connectors, run and secure the cabling correctly inside the upper arm housing.	Cable layout is shown in the figure Illustration, cabling inside upper arm housing on page 159 .
11	Refit the <i>cover, upper arm housing</i> .	Shown in the figure Location of motor on page 267 . Art. no. is specified in section Required equipment on page 262 .
12	Refit any additional mechanical stops.	Detailed in section Installation of additional mechanical stops on axis 3 on page 105 .
13	Recalibrate the robot.	Pendulum Calibration is described in <i>Operating manual - Calibration Pendulum</i> , enclosed with the calibration tools. Axis Calibration is described in Calibrating with Axis Calibration method on page 344 . General calibration information is included in section Calibration on page 331 .

Continues on next page

4 Repair

4.6.4 Replacement of motor, axis 3, 1600ID/1660ID

Continued

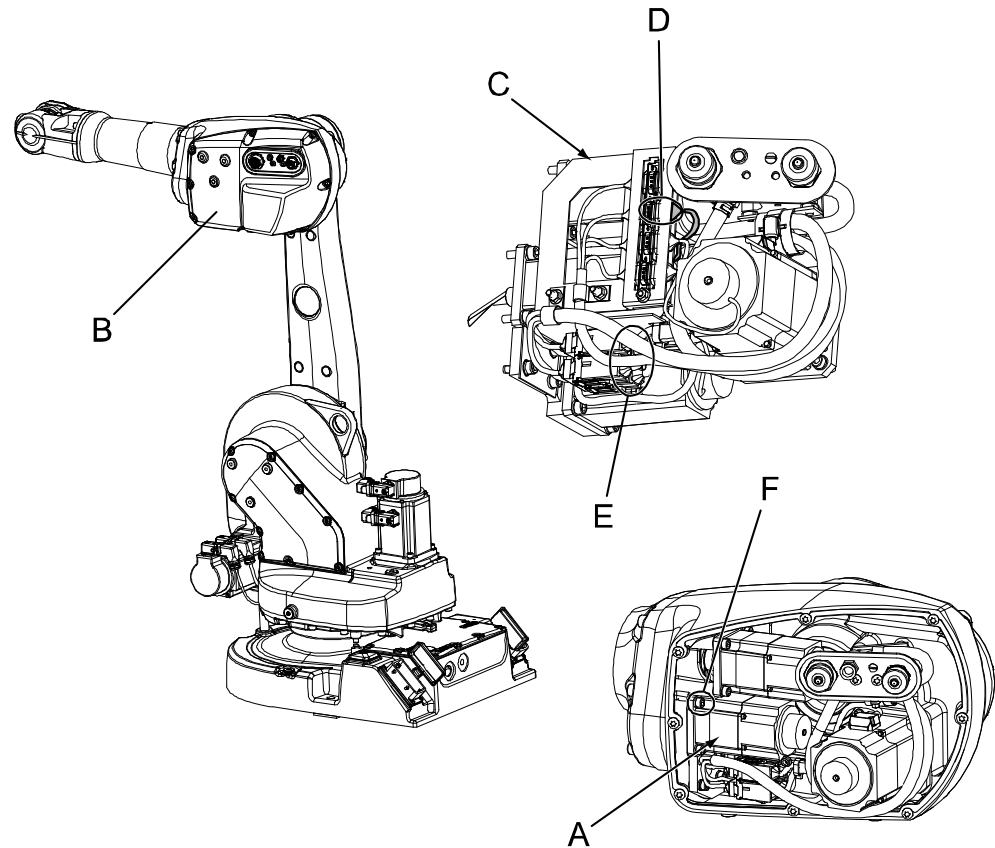
	Action	Note
14	 DANGER Make sure all safety requirements are met when performing the first test run.	

4.6.5 Replacement of motor, axis 4, IRB 1600

Location of motor

The axis 4 motor is located inside the upper arm housing, as shown in the figure below.

A more detailed view of the component and its position may be found in the spare part view, *Spare parts - Upper arm, exploded view*.



xx0400001273

A	Motor, axis 4
B	Cover, upper arm housing
C	Connector plate
D	Signal connector, R3.FB4
E	Power connector, R3.MP4
F	Attachment screw and washer, motor (4 pcs)

Required equipment

Equipment, etc.	Spare part no.	Art. no.	Note
Rot. ac motor with pinion	For spare part number, see: <ul style="list-style-type: none"> Spare part lists on page 387 		

Continues on next page

4 Repair

4.6.5 Replacement of motor, axis 4, IRB 1600

Continued

Equipment, etc.	Spare part no.	Art. no.	Note
O-ring		3HAB3772-81	Replace if damaged.
Gasket, upper arm cover	3HAC022049-001		Replace if damaged.
Gasket, customer connections	3HAC022050-001		Replace if damaged.
Grease		3HAC042536-001	Used for lubricating the o-ring.
Standard toolkit			Content is defined in section Standard tools on page 383 .
Power supply		-	24 VDC, max. 1,5 A. For releasing the brakes.
Rotation tool, motor		3HAC022266-003	For adjusting the gear play.
Other tools and procedures may be required. See references to these procedures in the step-by-step instructions below.			These procedures include references to the tools required.
Circuit diagram			See chapter Circuit diagram on page 389 .

Deciding calibration routine

Decide which calibration routine to be used, based on the information in the table. Depending on which routine is chosen, action might be required prior to beginning the repair work of the robot, see the table.

	Action	Note
1	<p>Decide which calibration routine to use for calibrating the robot.</p> <ul style="list-style-type: none"> Reference calibration. External cable packages (DressPack) and tools can stay fitted on the robot. Fine calibration. All external cable packages (DressPack) and tools must be removed from the robot. 	
	<p>If the robot is to be calibrated with reference calibration:</p> <p>Find previous reference values for the axis or create new reference values. These values are to be used after the repair procedure is completed, for calibration of the robot.</p> <p>If no previous reference values exist, and no new reference values can be created, then reference calibration is not possible.</p>	<p>Follow the instructions given in the reference calibration routine on the FlexPendant to create reference values.</p> <p>Creating new values requires possibility to move the robot.</p> <p>Read more about reference calibration for Axis Calibration in <i>Product manual - IRB 4600</i>.</p>
	<p>If the robot is to be calibrated with fine calibration:</p> <p>Remove all external cable packages (DressPack) and tools from the robot.</p>	



Continues on next page

**CAUTION**

Always cut the paint with a knife and grind the paint edge when disassembling parts. See [Cut the paint or surface on the robot before replacing parts on page 152](#).

Removal, motor axis 4

The procedure below details how to remove the motor, axis 4.

	Action	Note
1	Decide which calibration routine to use, and take actions accordingly prior to beginning the repair procedure.	
2	 DANGER Turn off all: <ul style="list-style-type: none"> • electric power supply • hydraulic pressure supply • air pressure supply to the robot, before entering the robot working area.	
3	 CAUTION Always cut the paint with a knife and grind the paint edge when disassembling parts. See Cut the paint or surface on the robot before replacing parts on page 152 .	
4	Manually move the robot to a position where the upper arm points straight down.	This will enable the motor 4 to be removed without draining the oil in the gearbox.
5	Remove the cover from the upper arm housing.	
6	Remove the <i>connector plate</i> to get access to the axis 4 motor.	Shown in the figure Location of motor on page 273 .
7	Disconnect the connectors R3.MP4 and R3.FB4 from the axis 4 motor.	
8	In order to release the brakes, connect the 24 VDC power supply to the motor.	Connect to connector R3.MP4 <ul style="list-style-type: none"> • +: pin 7 • -: pin 8
9	Remove the <i>motor, axis 4</i> by unscrewing the motor attachment screws.	Shown in the figure Location of motor on page 273 .
10	Lift the motor to get the pinion away from the gear and disconnect the brake release voltage.	
11	Remove the motor by gently lifting it out.	Make sure the motor pinion is not damaged!

Continues on next page


4 Repair

4.6.5 Replacement of motor, axis 4, IRB 1600


Continued

Refitting, motor axis 4

The procedure below details how to refit the motor, axis 4.

	Action	Note
1	Clean the joints that have been opened. See Cut the paint or surface on the robot before replacing parts on page 152	
2	Clean the mating surfaces on the <i>motor</i> and the gearbox.	Shown in the figure Location of motor on page 273 .
3	Make sure the <i>o-ring</i> on the circumference of the motor is seated properly. Lightly lubricate the <i>o-ring</i> with <i>grease</i> .	Art. no. is specified in section Required equipment on page 273 .
4	In order to release the brakes, connect the 24 VDC power supply to the motor.	Connect to connector R3.MP4 <ul style="list-style-type: none"> • +: pin 7 • -: pin 8
5	Fit the motor with the <i>attachment screws</i> and washers. Until the motor shaft is adjusted to the gear, as described in following steps, only tighten the screws lightly.	Shown in the figure Location of motor on page 273 . Tightening torque: approx. 2 Nm. 4 pcs, M6 x 20.
6	Fit the <i>rotational tool</i> to the end of the motor shaft.	Art. no. is specified in section Required equipment on page 273 .
7	Adjust the motor in relation to the gear in the gearbox. Use the arm tool to wiggle the motor shaft back and forth to feel the play.	There should be a barely noticeable gear play.
8	Tighten the motor <i>attachment screws</i> .	Shown in the figure Location of motor on page 273 . Tightening torque: 10 Nm.
9	Reconnect the motor connectors R3.MP4 and R3.FB4.	
10	Refit the <i>connector plate</i> .	Shown in the figure Location of motor on page 273 .
11	Make sure all the cabling is placed correctly inside the upper arm housing.	Cable layout is shown in the figure Illustration, cabling inside upper arm housing on page 159 .
12	Refit the cover to the upper arm housing. Check both the <i>gaskets</i> and replace, if damaged.	Art. no. is specified in Required equipment on page 273 .
13	Perform a leak-down test.	Detailed in section Performing a leak-down test on page 146 .
14	Seal and paint the joints that have been opened. See Cut the paint or surface on the robot before replacing parts on page 152  Note After all repair work, wipe the robot free from particles with spirit on a lint free cloth.	

Continues on next page

	Action	Note
15	Recalibrate the robot!	<p>Pendulum Calibration is described in <i>Operating manual - Calibration Pendulum</i>, enclosed with the calibration tools.</p> <p>Axis Calibration is described in Calibrating with Axis Calibration method on page 344.</p> <p>General calibration information is included in section Calibration on page 331.</p>
16	 <p>DANGER</p> <p>Make sure all safety requirements are met when performing the first test run.</p>	

4 Repair

4.6.6 Replacement of motor, axis 4, 1600ID/1660ID

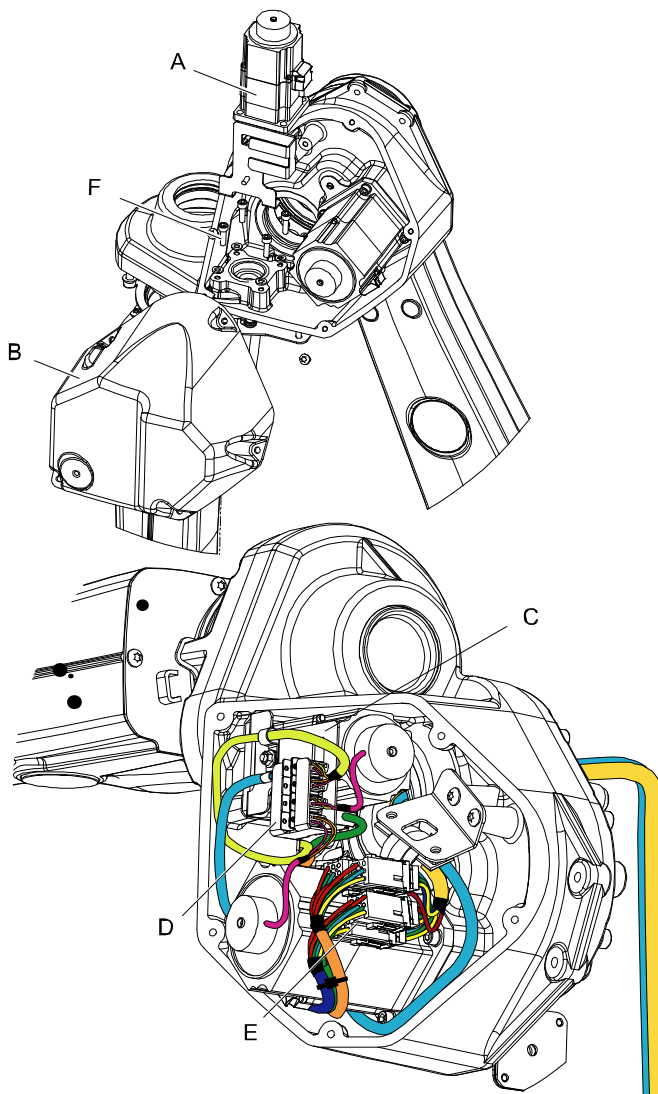
4.6.6 Replacement of motor, axis 4, 1600ID/1660ID



Note

After replacement of motors/motor in a manipulator, recalibration is required.

Location of motor



xx0700000017

A	Motor, axis 4
B	Cover, upper arm housing
C	Connector plate
D	Signal connector, R3.FB4
E	Power connector, R3.MP4
F	Attachment screw and washer, motor (4 pcs)

Continues on next page

Required equipment

Equipment, etc.	Art. no.	Note
Rot. ac motor incl pinion	For spare part number, see: <ul style="list-style-type: none"> Spare part lists on page 387 	
O-ring	3HAB3772-81	
Standard toolkit		The contents are defined in section Standard tools on page 383 .
Power supply	-	24 VDC, max. 1,5 A. For releasing the brakes.
Rotation tool, motor		For adjusting the gear play.
Other tools and procedures may be required. See references to these procedures in the step-by-step instructions below.		These procedures include references to the tools required.
Circuit diagram		See Circuit diagram on page 389 .
Pendulum Calibration tool		See Special tools on page 384 .

**CAUTION**

Always cut the paint with a knife and grind the paint edge when disassembling parts. See [Cut the paint or surface on the robot before replacing parts on page 152](#).

Deciding calibration routine

Decide which calibration routine to be used, based on the information in the table. Depending on which routine is chosen, action might be required prior to beginning the repair work of the robot, see the table.

	Action	Note
1	Decide which calibration routine to use for calibrating the robot. <ul style="list-style-type: none"> Reference calibration. External cable packages (DressPack) and tools can stay fitted on the robot. Fine calibration. All external cable packages (DressPack) and tools must be removed from the robot. 	
	If the robot is to be calibrated with reference calibration: Find previous reference values for the axis or create new reference values. These values are to be used after the repair procedure is completed, for calibration of the robot. If no previous reference values exist, and no new reference values can be created, then reference calibration is not possible.	Follow the instructions given in the reference calibration routine on the FlexPendant to create reference values. Creating new values requires possibility to move the robot. Read more about reference calibration for Axis Calibration in <i>Product manual - IRB 4600</i> .

Continues on next page



4 Repair

4.6.6 Replacement of motor, axis 4, 1600ID/1660ID

Continued

Action	Note
<p>If the robot is to be calibrated with fine calibration: Remove all external cable packages (DressPack) and tools from the robot.</p>	

Removal, motor axis 4

Action	Note
1	Decide which calibration routine to use, and take actions accordingly prior to beginning the repair procedure.
2	 DANGER Turn off all: <ul style="list-style-type: none"> • electric power supply • hydraulic pressure supply • air pressure supply to the robot, before entering the robot working area.
3	Remove the cover from the upper arm housing.
4	Remove the <i>connector plate</i> to get access to the axis 4 motor. Shown in the figure Location of motor on page 278.
5	Disconnect the connectors R3.MP4 and R3.FB4 from the axis 4 motor.
6	 DANGER The motor has a high temperature after running which can occur burns.
7	Remove the <i>motor, axis 4</i> by unscrewing the <i>motor attachment screws</i> . Shown in the figure Location of motor on page 278.
8	Lift the motor to get the pinion away from the gear and disconnect the brake release voltage.
9	Remove the motor by gently lifting it out. Make sure the motor pinion is not damaged!

Refitting, motor axis 4

Action	Note
1	Clean the mating surfaces on the <i>motor</i> and the gearbox. Shown in the figure Location of motor on page 278.
2	Make sure the <i>o-ring</i> on the circumference of the motor is seated properly. Lightly lubricate the <i>o-ring</i> with <i>grease</i> . Art. no. is specified in section.
3	Fit the motor with the <i>attachment screws</i> and washers. Until the motor shaft is adjusted to the gear, as described in following steps, only tighten the screws lightly. Shown in the figure Location of motor on page 278. Tightening torque: approx. 2 Nm. 4 pcs, M6 x 20.

Continues on next page

	Action	Note
4	Tighten the motor <i>attachment screws</i> .	Shown in the figure Location of motor on page 278 . Tightening torque: 10 Nm.
5	Reconnect the motor connectors R3.MP4 and R3.FB4.	
6	Refit the <i>connector plate</i> .	Shown in the figure Location of motor on page 278 .
7	Refit the cover to the upper arm housing.	
8	Recalibrate the robot.	Pendulum Calibration is described in <i>Operating manual - Calibration Pendulum</i> , enclosed with the calibration tools. Axis Calibration is described in Calibrating with Axis Calibration method on page 344 . General calibration information is included in section Calibration on page 331 .

4 Repair

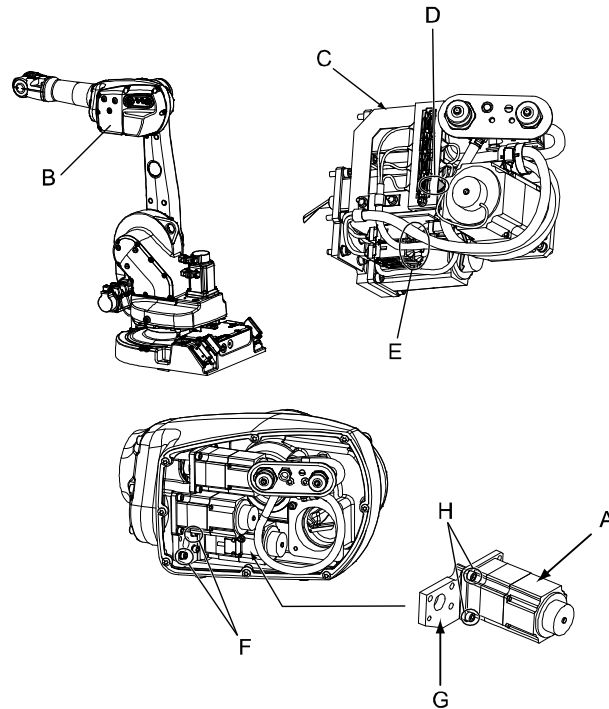
4.6.7 Replacement of motor and timing belt, axis 5, IRB 1600

4.6.7 Replacement of motor and timing belt, axis 5, IRB 1600

Location of motor

The motor and timing belt of axis 5 is located inside the upper arm housing, as shown in the figure below.

A more detailed view of the motor and its position may be found in the spare part view, *Spare parts - Upper arm, exploded view*.



xx0400001279

A	Motor, axis 5
B	Cover, upper arm housing
C	Connector plate
D	Signal cable, motor 5: R3.FB5
E	Power cable, motor 5: R3.MP5
F	Attachment screws and washers, motor bracket (2 pcs)
G	Motor bracket
H	Attachment screws and washers, motor (3 pcs)

Required equipment

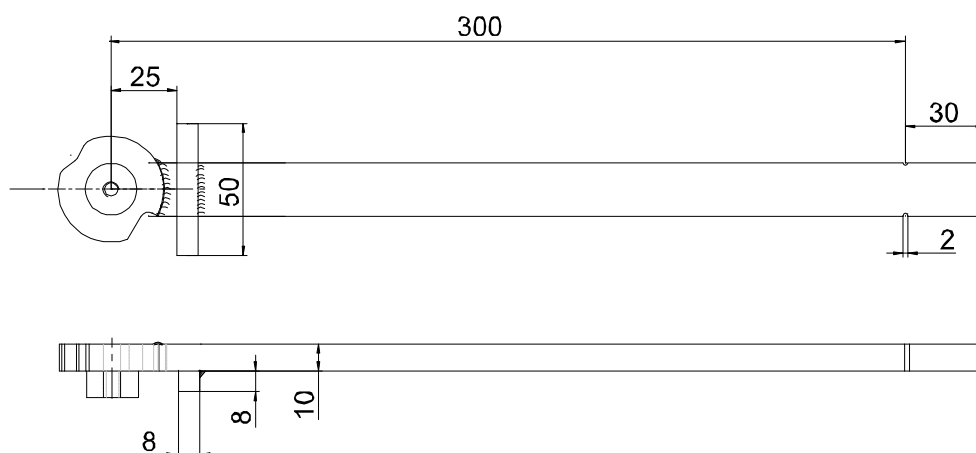
Equipment	Spare part no.	Art. no.	Note
Rot. ac motor incl pinion	3HAC021800-003		
Timing belt	3HAC021304-001		
Gasket, upper arm cover	3HAC022049-001		Replace if damaged.
Gasket, customer connections	3HAC022050-001		Replace if damaged.

Continues on next page

Equipment	Spare part no.	Art. no.	Note
Belt tightener		3HAC024044-001	
Dynamometer		-	Capacity: 100N
Standard toolkit			Content is defined in section Standard tools on page 383 .
Other tools and procedures may be required. See references to these procedures in the step-by-step instructions below.			These procedures include references to the tools required.
Circuit diagram			See chapter Circuit diagram on page 389 .

Belt tightener, 3HAC 024044-001

The belt tightener is a special tool that is used when adjusting the tension of the timing belt of axis 5. The length of the tool is important, since the tool is pulled with a given force.



xx0500001457



CAUTION

Always cut the paint with a knife and grind the paint edge when disassembling parts. See [Cut the paint or surface on the robot before replacing parts on page 152](#).

Continues on next page

4 Repair

4.6.7 Replacement of motor and timing belt, axis 5, IRB 1600

Continued


Deciding calibration routine

Decide which calibration routine to be used, based on the information in the table. Depending on which routine is chosen, action might be required prior to beginning the repair work of the robot, see the table.

	Action	Note
1	Decide which calibration routine to use for calibrating the robot. <ul style="list-style-type: none"> Reference calibration. External cable packages (DressPack) and tools can stay fitted on the robot. Fine calibration. All external cable packages (DressPack) and tools must be removed from the robot. 	
	If the robot is to be calibrated with reference calibration: Find previous reference values for the axis or create new reference values. These values are to be used after the repair procedure is completed, for calibration of the robot. If no previous reference values exist, and no new reference values can be created, then reference calibration is not possible.	Follow the instructions given in the reference calibration routine on the FlexPendant to create reference values. Creating new values requires possibility to move the robot. Read more about reference calibration for Axis Calibration in <i>Product manual - IRB 4600</i> .
	If the robot is to be calibrated with fine calibration: Remove all external cable packages (DressPack) and tools from the robot.	

Removal, motor axis 5 and timing belt

The procedure below details how to remove the motor and the timing belt of axis 5.

	Action	Note
1	Decide which calibration routine to use, and take actions accordingly prior to beginning the repair procedure.	
2	 DANGER Turn off all: <ul style="list-style-type: none"> electric power supply hydraulic pressure supply air pressure supply to the robot, before entering the robot working area.	
3	Remove the axis 4 motor.	Detailed in section Removal, motor axis 4 on page 275 .
4	Remove the motor and timing belt of axis 6.	Detailed in section Removal, motor and timing belt, axis 6 on page 307 .
5	Disconnect the axis 5 motor connectors: R3.MP5 and R3.FB5.	

Continues on next page


4.6.7 Replacement of motor and timing belt, axis 5, IRB 1600

Continued

	Action	Note
6	Move aside all cabling that is hindering access to the axis 5 motor.	
7	Remove the <i>motor bracket</i> , including the motor, by unscrewing the two <i>attachment screws and washers</i> .	Shown in the figure Location of motor on page 282 .
8	Remove the timing belt of axis 5.	
9	Remove the motor bracket from the motor.	

Refitting, motor and timing belt axis 5

The procedure below details how to refit the motor and timing belt of axis 5.

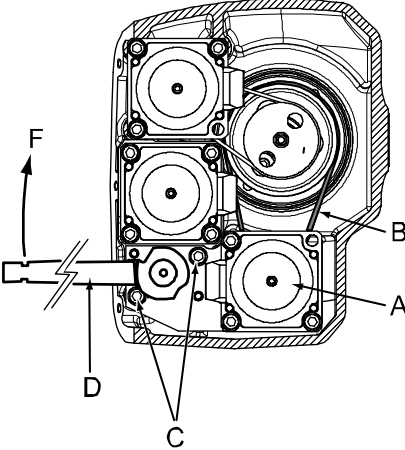

	Action	Note/Illustration
1	 <p>DANGER</p> <p>Turn off all:</p> <ul style="list-style-type: none"> • electric power supply • hydraulic pressure supply • air pressure supply <p>to the robot, before entering the robot working area.</p>	
2	Clean the mating surfaces on the motor and in the upper arm housing.	
3	Fit the new motor to the motor bracket, previously removed from the old motor.	3 pcs, M6 x 20.

Continues on next page

4 Repair

4.6.7 Replacement of motor and timing belt, axis 5, IRB 1600

Continued

	Action	Note/Illustration
4	<p>Follow the steps below when fitting the motor:</p> <ul style="list-style-type: none"> Place the timing belt (B) round the motor pinion and place the belt round the axis 5 as fitting the motor in the upper arm housing. Fasten the motor bracket with two attachment screws (C), but do not tighten the screws yet. Use correct attachment holes, shown in the figure to the right! Adjust the belt tension by pulling the motor bracket, using the <i>belt tightener</i> and <i>dynamometer</i>, as shown in the figure to the right. Tighten the two attachment screws of the bracket (C) with a torque of 10 Nm. 	<p>Art. no. is specified in Required equipment on page 282.</p>  <p>xx0400001280</p> <ul style="list-style-type: none"> A Motor axis 5 B Timing belt, axis 5 C Attachment screws and washers, motor bracket, 2 pcs, M6 x 20 D Belt tightener, the dimensions are shown in the figure Belt tightener, 3HAC 024044-001 on page 283. <p>F (Force): 24 N.</p>
5	Refit the motor and timing belt of axis 6.	Detailed in section Refitting, motor and timing belt, axis 6 on page 307 .
6	Refit the motor of axis 4.	Detailed in section Refitting, motor axis 4 on page 276 .
7	Reconnect all connectors and place the cabling correctly inside the upper arm housing.	Cable layout shown in the figure Illustration, cabling inside upper arm housing on page 159 .
8	Refit the cover to the upper arm housing. Check both the <i>gaskets</i> and replace, if damaged.	Art.no. is specified in Required equipment on page 282 .
9	Recalibrate the robot!	<p>Pendulum Calibration is described in Operating manual - Calibration Pendulum, enclosed with the calibration tools.</p> <p>Axis Calibration is described in Calibrating with Axis Calibration method on page 344.</p> <p>General calibration information is included in section Calibration on page 331.</p>
10	 <p>DANGER</p> <p>Make sure all safety requirements are met when performing the first test run.</p>	

4.6.8 Replacement of motor, axis 5, IRB 1600ID

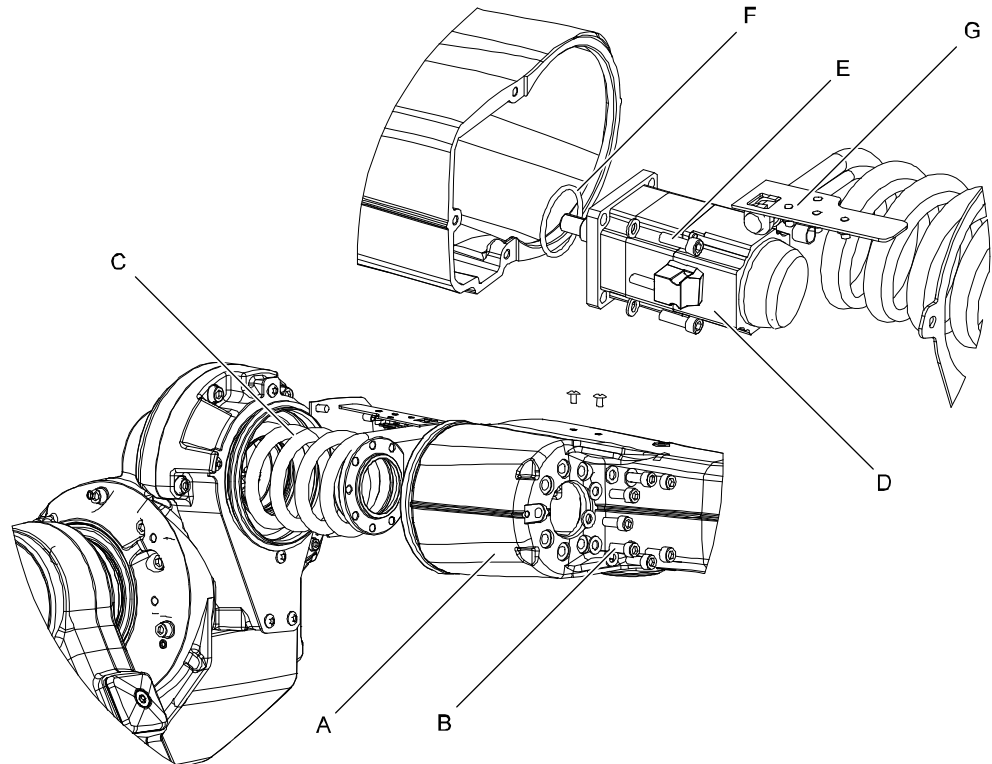


Note

After replacement of motors/motor in a manipulator, recalibration is required.

Location of motor, axis 5

The motor of axes 5 is located inside the upper arm as shown in the figure below.



xx070000020

A	Arm Tube
B	Hex socket head cap screw M8X20
C	Cable harness IRB1600ID
D	Rotational ac motor Axis 5
E	Hex. socket head cap screw M6X20
F	O-ring
G	Cable harness bracket

Required equipment

Equipment, etc.	Art. no.	Note
Rot. ac motor with pinion	For spare part number, see: • Spare part lists on page 387	
VK cover	3HAA2166-19	

Continues on next page

4 Repair

4.6.8 Replacement of motor, axis 5, IRB 1600ID

Continued

Equipment, etc.	Art. no.	Note
Standard toolkit	-	The contents are defined in section Standard tools on page 383 , in part 2 of the Product manual.
Other tools and procedures may be required. See references to these procedures in the step-by-step instructions below.		These procedures include references to the tools required.
Circuit diagram	3HAC6816-3	See chapter Circuit diagram on page 389 .
O-ring	3HAB3772-81	Nitrite
Cable grease		
Isopropanol		



CAUTION

Always cut the paint with a knife and grind the paint edge when disassembling parts. See [Cut the paint or surface on the robot before replacing parts on page 152](#).

Deciding calibration routine

Decide which calibration routine to be used, based on the information in the table. Depending on which routine is chosen, action might be required prior to beginning the repair work of the robot, see the table.

	Action	Note
1	Decide which calibration routine to use for calibrating the robot. <ul style="list-style-type: none"> Reference calibration. External cable packages (DressPack) and tools can stay fitted on the robot. Fine calibration. All external cable packages (DressPack) and tools must be removed from the robot. 	
	If the robot is to be calibrated with reference calibration: Find previous reference values for the axis or create new reference values. These values are to be used after the repair procedure is completed, for calibration of the robot. If no previous reference values exist, and no new reference values can be created, then reference calibration is not possible.	Follow the instructions given in the reference calibration routine on the FlexPendant to create reference values. Creating new values requires possibility to move the robot. Read more about reference calibration for Axis Calibration in <i>Product manual - IRB 4600</i> .
	If the robot is to be calibrated with fine calibration: Remove all external cable packages (DressPack) and tools from the robot.	

Continues on next page

Removal, motor axis 5

The procedure below details how to remove motor, axis 5.



WARNING


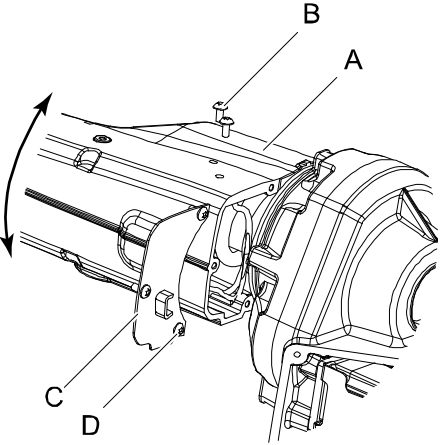
Please observe the following before commencing any repair work on the manipulator:

- Motors and gears are HOT after running the robot! Touching the motors and gears may result in burns!
- Turn off all electric power, hydraulic and pneumatic pressure supplies to the robot!
- Take any necessary measures to ensure that the manipulator does not collapse as parts are removed, e.g. secure the lower arm with fixtures if removing motor, axis 2.



Note

Whenever parting/mating motor and gearbox, the gears may be damaged if excessive force is used.


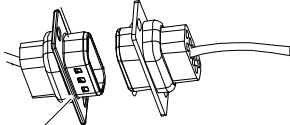
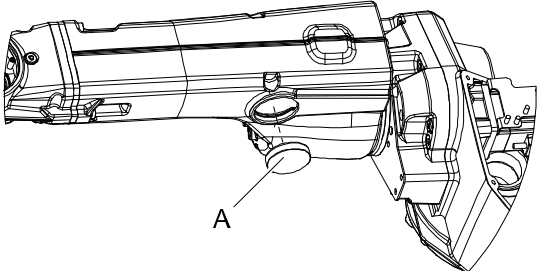
	Action	Note
1	Decide which calibration routine to use, and take actions accordingly prior to beginning the repair procedure.	
2	<p>Remove the cover (C) on the back of the upper arm tube (A). Rotate the upper arm to access all the screws (D). Remove the screws (B) holding the cable harness.</p> <p> CAUTION</p> <p>After removal of the cover (mec stop), do not rotate axis 4 do to risk of cable harness damage.</p>	 <p>xx070000083</p> <p>A Arm Tube B Torx pan head screw M6X12 C Cover D Torx pan head screw M6X12</p>

Continues on next page

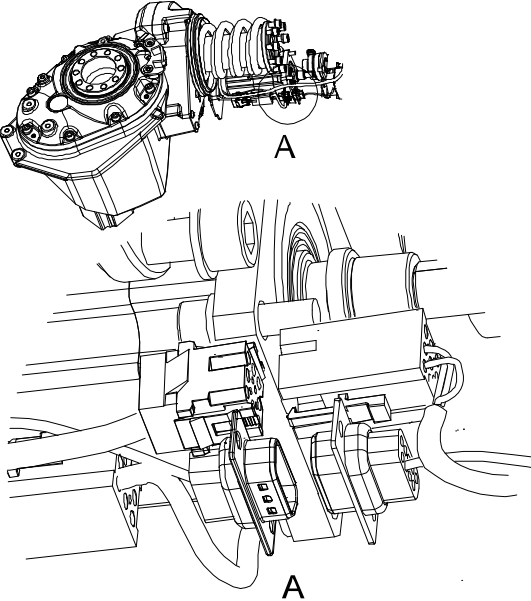

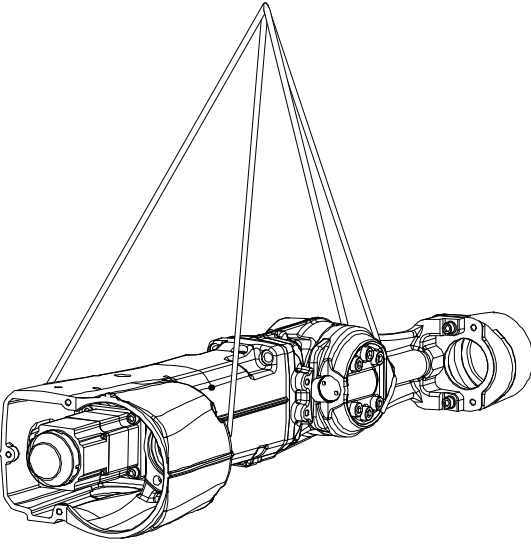
4 Repair

4.6.8 Replacement of motor, axis 5, IRB 1600ID

Continued

	Action	Note
3	 DANGER Turn off all: <ul style="list-style-type: none">• electric power supply• hydraulic pressure supply• air pressure supply to the robot, before entering the robot working area.	
4	Remove the AW equipment from the upper arm.	Shown in section Remove AW Gun on page 222
5	Disconnect connectors R4.FB5 and R4.MP5, from the back.	 A xx0700000080 A R4.FB5
6	Remove the VK- Cover to access the cable connections inside the arm.	 A xx0700000054 A VK-Cover
7	Gently pull the cables out of the upper arm.	

Continues on next page

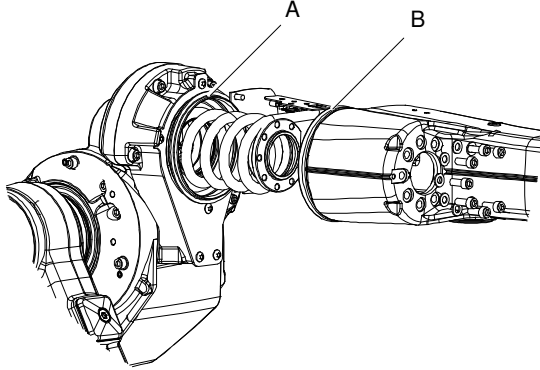
	Action	Note
8	Disconnect through the hole connection R4.FB6 and R4.MP6.	 <p>xx070000053</p>
9	 CAUTION The upper arm tube weighs 12.3 kg without any additional equipment fitted. All lifting accessories used must be sized accordingly!	
10	Secure the weight of the arm with lifting slings.	 <p>xx070000088</p>
11	Remove the seven (7) Hexagon socket head cap screw M8X20, holding the upper arm.	Position (B) in figure Location of motor, axis 5 on page 287 .
12	Remove the upper arm.	

Continues on next page

4 Repair

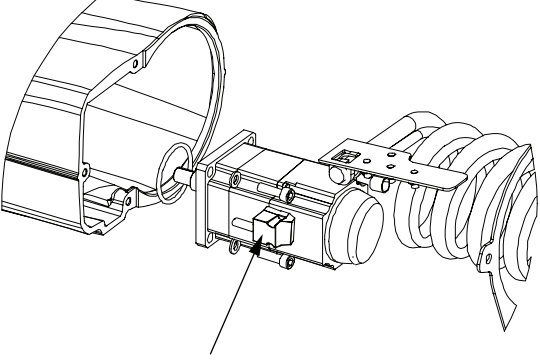
4.6.8 Replacement of motor, axis 5, IRB 1600ID

Continued

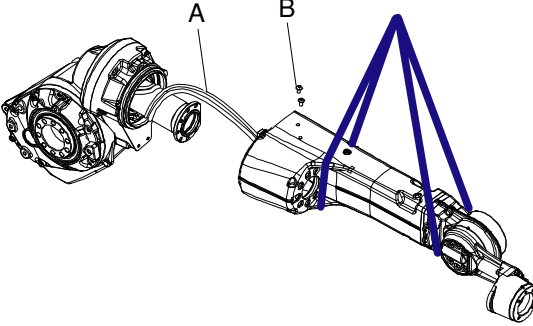



	Action	Note
13	Remove the V-ring (A) and the support ring (B).	 <p data-bbox="868 689 975 707">xx0700000248</p> <p data-bbox="900 730 1078 792">A V-ring B Support ring</p>
14	Remove the four (4) Hexagon socket head cap screw M6X20 holding motor 5.	Position (E), (D) in figure Location of motor, axis 5 on page 287
15	Remove the O-ring and change it if necessary.	Position (F) in figure Location of motor, axis 5 on page 287 .
16	Remove the resolver cover for re-use.	

Refitting, motor axis 5

The procedure below details how to refit the motor of axis 5.

	Action	Note
1	Clean the mating surfaces inside the upper arm housing and on the motor with Isopropanol.	
2	Make sure the o-ring on the circumference of the motor is seated properly. Lubricate it with grease.	Replace the o-ring if damaged. Part number is specified in section Required equipment on page 287 .
3	Position the motor into the upper arm housing with the motor connector pointing towards the side, as shown in the figure. Make sure the motor pinion is properly mated to the gear.	 <p data-bbox="868 1785 975 1803">xx1400001567</p>
4	Fit the attachment screws and washers but do not tighten them yet.	4 pcs, M6 x 20. Shown in the figure Location of motor, axis 5 on page 287 .
5	Fit the rotation tool to the end of motor shaft.	Part number is specified in Required equipment on page 287

Continues on next page

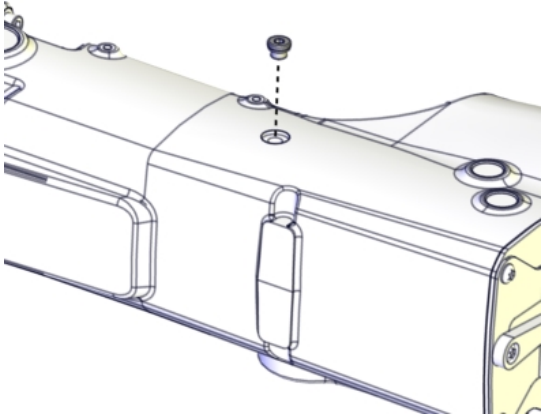

	Action	Note
6	Adjust the motor in relation to the gear. Use the rotation tool to wiggle the motor shaft back and forth to feel the play.	There should be a barely noticeable gear play.
7	Tighten the motors attachment screws.	Tightening torque: 10Nm
8	Refit the V-ring and support ring.	
9	Refit the cable harness bracket (G) in figure Location of motor, axis 5 on page 287 , inside the upper arm tube, use the two torx pan head screw M6X12 (B). Wind the cable harness (A), in a spiral with four free turns around the axis as in figure Location of motor, axis 5 on page 287 Grease the cable harness with cable grease.	 <p>xx070000089</p> <p>A Cable harness B Torx pan head screw M6X12</p>
10	Refitt the upper arm using the 7 Hex socket head cap screw M8X20.	Shown in figure Location of motor, axis 5 on page 287 . Tightening torque: 24 Nm
11	Reconnect connections R4.FB6, and R4.MP6 through the VK-hole. Make sure all the cabling is placed correctly inside the upper arm housing.	
12	Reconnect connection R4.FB5 and R4.MP5 from the back.	 Note When reconnecting the connection R4.FB5, make sure to place the connectors as far away from the axis 5-6 cable spiral as possible, to avoid grease to accumulate on the resolver connector.
13	 DANGER Make sure all safety requirements are met when performing the first test run.	
14	 CAUTION Before refitting of the cover (mec stop), do not over rotate axis 4 do to risk of cable harness damage.	

Continues on next page

4 Repair

4.6.8 Replacement of motor, axis 5, IRB 1600ID

Continued

	Action	Note
15	Remove the oil plug, and refill the axis-5 gear with <i>lubricating oil</i> .	 <p>xx2000002311</p> <p>Where to find type of oil and total amount is detailed in Type and amount of oil in gearboxes on page 130.</p>
16	<p>Inspect the oil plug regarding thickness and condition of the sealing. Replace the complete oil plug if the sealing thickness is less than 1.5 mm or if the sealing is damaged.</p> <p> CAUTION</p> <p>Risk of damage to internal components of the axis-5 gear. Tighten the oil plug with correct torque and make sure the sealing thickness is minimum 1.5 mm.</p>	Oil plug with sealing: 3HAC048968-001.
17	Refit the oil plug with sealing.	Tightening torque: 3 Nm.
18	Recalibrate the robot.	<p>Pendulum Calibration is described in <i>Operating manual - Calibration Pendulum</i>, enclosed with the calibration tools.</p> <p>Axis Calibration is described in Calibrating with Axis Calibration method on page 344.</p> <p>General calibration information is included in section Calibration on page 331.</p>

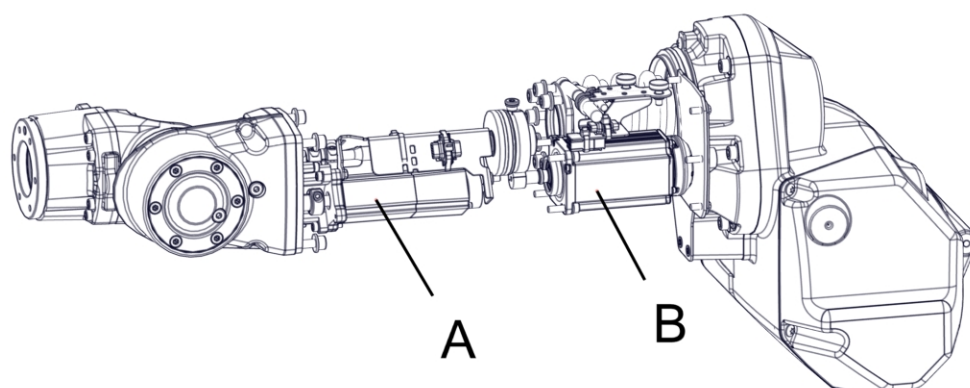
4.6.9 Replacement of motor, axis 5, IRB 1660ID

**Note**

After replacement of motors/motor in a manipulator, recalibration is required.

Location of motor axis 5

Motor axis 5 is located inside the upper arm tube as shown in the figure.



xx1500001258

A	Motor axis 6
B	Motor axis 5

Required equipment

Equipment	Art. no.	Note
Sikaflex 521FC	3HAC026759-001	
VK-cover	3HAA2166-17	Always replace with a new when removed.
Standard toolkit	-	Content is defined in section Standard tools on page 383 .
Other tools and procedures may be required. See references to these procedures in the step-by-step instructions below.		These procedures include references to the tools required.

**CAUTION**

Always cut the paint with a knife and grind the paint edge when disassembling parts. See [Cut the paint or surface on the robot before replacing parts on page 152](#).

Continues on next page

4 Repair

4.6.9 Replacement of motor, axis 5, IRB 1660ID

Continued

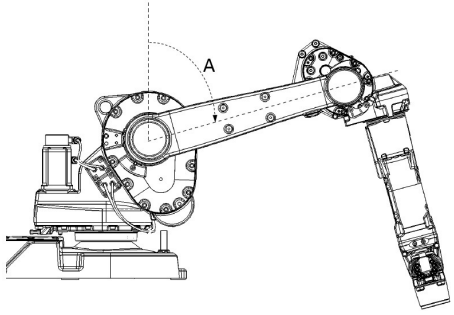
Deciding calibration routine

Decide which calibration routine to be used, based on the information in the table. Depending on which routine is chosen, action might be required prior to beginning the repair work of the robot, see the table.

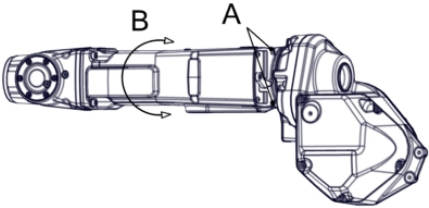


	Action	Note
1	Decide which calibration routine to use for calibrating the robot. <ul style="list-style-type: none"> Reference calibration. External cable packages (DressPack) and tools can stay fitted on the robot. Fine calibration. All external cable packages (DressPack) and tools must be removed from the robot. 	
	If the robot is to be calibrated with reference calibration: Find previous reference values for the axis or create new reference values. These values are to be used after the repair procedure is completed, for calibration of the robot. If no previous reference values exist, and no new reference values can be created, then reference calibration is not possible.	Follow the instructions given in the reference calibration routine on the FlexPendant to create reference values. Creating new values requires possibility to move the robot. Read more about reference calibration for Axis Calibration in <i>Product manual - IRB 4600</i> .
	If the robot is to be calibrated with fine calibration: Remove all external cable packages (DressPack) and tools from the robot.	

Removing motor axis 5

Use this procedure to remove motor axis 5.

	Action	Information
1	Decide which calibration routine to use, and take actions accordingly prior to beginning the repair procedure.	
2	Move the lower arm to the position shown in the figure.	 <p>xx1500003066</p> <ul style="list-style-type: none"> A: 75° approximately
3	Move the upper arm to a horizontal position.	

Continues on next page


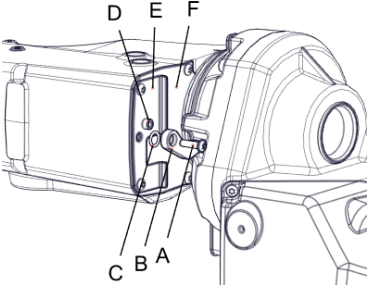
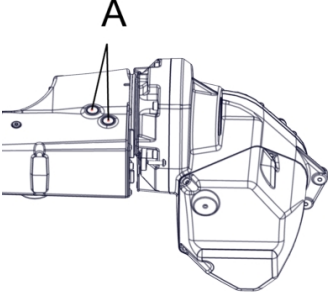

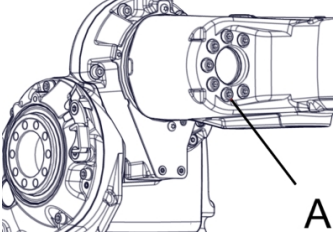
	Action	Information
4	Rotate the upper arm to access the two inner attachment screws securing the cover and remove them.	 <p>xx1500001260</p> <ul style="list-style-type: none"> • A: Inner attachment screws (2 pcs) • B: Directions of rotation
5	Move the upper arm to sync. position.	For the synchronization positions, see Synchronization marks and synchronization position for axes on page 336 .
6	 <p>DANGER</p> <p>Before entering the robot working area, turn off all:</p> <ul style="list-style-type: none"> • Electric power supply to the robot • Hydraulic pressure supply to the robot • Air pressure supply to the robot 	
7	Remove all extra equipment fitted on the upper arm and wrist.	
8	Remove the wrist and disconnect those cables to motor axis 6.	How to remove the wrist see the section: <ul style="list-style-type: none"> • Replacing the wrist unit, IRB1660ID on page 205
9	 <p>Note</p> <p>Make a note of the position of axis 4 before continuing the removal process.</p> <p>It is important to refit the mechanical stop and cable harness spiral, with axis 4 in the same position as it was before the removal. If axis 4 has been moved, it must be returned to the position it was when the mechanical stop was removed.</p> <p>This is due to risk of damage to the cable harness.</p>	

Continues on next page

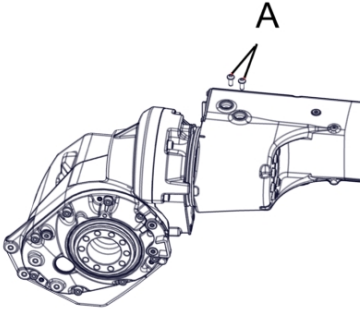

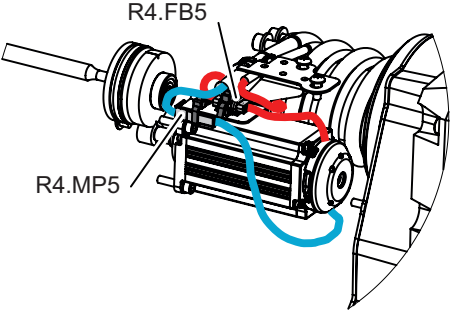

4 Repair

4.6.9 Replacement of motor, axis 5, IRB 1660ID

Continued

Action	Information
<p>10 Remove the mechanical stop.</p> <p> Note</p> <p>Do not loose the o-ring and distance ring in the removal process!</p>	 <p>xx1500001266</p> <ul style="list-style-type: none"> • A: Attachment screws (5 pcs) • B: Mechanical stop • C: O-ring • D: Distance ring • E: Bracket • F: Cover
<p>11 Remove the bracket.</p>	<p>See figure above.</p>
<p>12 Remove the cover.</p>	<p>See figure above.</p>
<p>13 Remove the two VK-covers, covering the attachment screws securing the cable harness to the upper arm tube.</p>	 <p>xx1500001265</p> <ul style="list-style-type: none"> • A: VK-covers (2 pcs)
<p>14 Remove the attachment screws (7 pcs) securing the tube of the armhouse.</p> <p> Note</p> <p>The screws are secured with locking liquid Loctite 243.</p>	 <p>xx1500001262</p> <ul style="list-style-type: none"> • A: Attachment screws (7 pcs)

Continues on next page

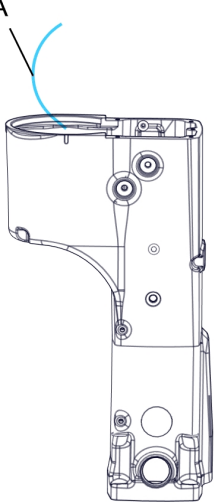
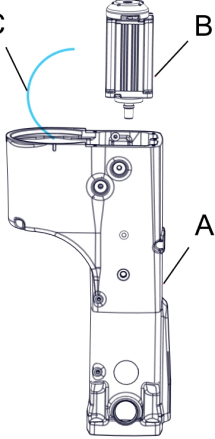
	Action	Information
15	Remove the attachment screws securing the cable harness bracket to the upper arm tube.	 <p>xx1500001267</p> <ul style="list-style-type: none"> A: Attachment screws (2 pcs)
16	Pull carefully out the upper arm tube a little. Not more than it is possible to reach the connectors for motor axis 5.  CAUTION Be careful not to damage the cable harness in the process. The space is cramped.	
17	Disconnect connectors R4.MP5 and R4.FB5 to motor axis 5.	 <p>xx1400002576</p>
18	Remove the upper arm tube with the cable harness to motor axis 6.  CAUTION Be careful not to damage the cable harness to motor axis 6 in the process.	

Continues on next page

4 Repair

4.6.9 Replacement of motor, axis 5, IRB 1660ID

Continued

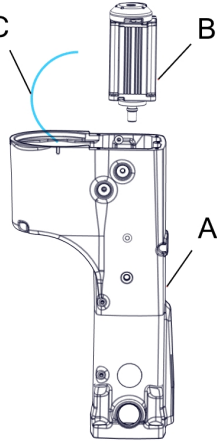
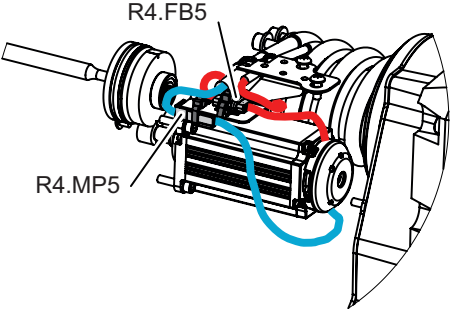
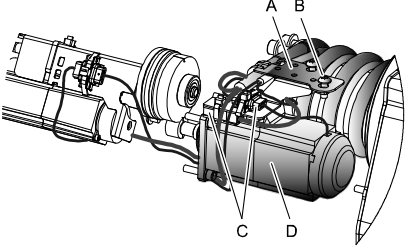
	Action	Information
19	<p>Secure the upper arm tube with motor axis 5 pointing upwards. This is to avoid draining the oil when motor axis 5 is removed.</p>	 <p>xx1500001263</p> <ul style="list-style-type: none"> A: Cable harness to motor axis 6
20	<p>Remove motor axis 5 by unscrewing its attachment screws.</p>	 <p>xx1500001264</p> <ul style="list-style-type: none"> A: Upper arm tube B: Motor axis 5 C: Cable harness to motor axis 6

Refitting motor axis 5

Use this procedure to refit motor axis 5.

	Action	Information
1	Place motor axis 5 in the upper arm tube.	

Continues on next page

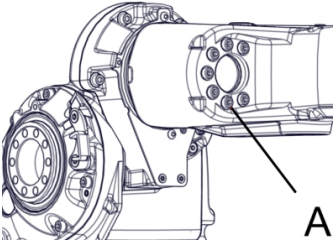
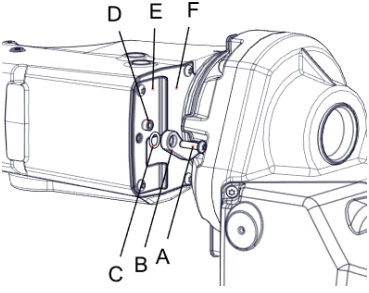
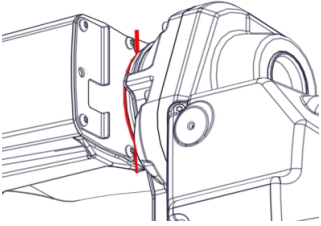
	Action	Information
2	Tighten the attachment screws just enough to still be able to move the motor.	 <p>xx1500001264</p> <ul style="list-style-type: none"> • A: Upper arm tube • B: Motor axis 5 • C: Cable harness to motor axis 6
3	Adjust the play by finding the smallest play.	
4	Secure the motor with its attachment screws.	Tightening torque: 10 Nm
5	Lift the upper arm tube to the robot.	
6	Connect connectors R4.MP5 and R4.FB5 to motor axis 5.	 <p>xx1400002576</p>
7	Secure the cable harness with its attachment screws to the upper arm tube.	 <p>xx1000000998</p> <ul style="list-style-type: none"> A Bracket B Attachment screws (2 pcs) C Connectors motor axis 5 D Motor axis 5
8	Examine the spiral of the cable harness to make sure it is fitted correctly.	See section <ul style="list-style-type: none"> • Replacing the cable harness, 1600ID/1660ID on page 165

Continues on next page

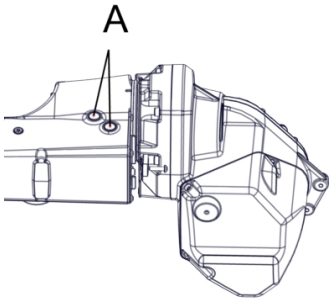
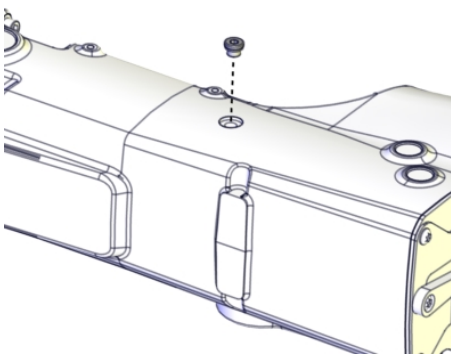

4 Repair

4.6.9 Replacement of motor, axis 5, IRB 1660ID

Continued

	Action	Information
9	Secure the upper arm tube with attachment screws. Use locking liquid Loctite 243.	Tightening torque: 26 Nm  xx1500001262 A Attachment screws (7 pcs)
10	Refit the cover with two inner attachment screws.	 xx1500001266 <ul style="list-style-type: none"> • A: Attachment screws (5 pcs) • B: Mechanical stop • C: O-ring • D: Distance ring • E: Bracket • F: Cover
11	Refit the bracket with the remaining attachment screws.	See figure above.
12	Apply Sikaflex 521FC on the surface along the red curve in the figure.	 xx1500001269
13	Refit the mechanical stop.	

Continues on next page


	Action	Information
14	Fit two new VK-covers.	<p>Article number is specified in Required equipment on page 295.</p>  <p>xx1500001265</p> <p>A VK-covers (2 pcs)</p>
15	Connect the cable to motor axis 6.	
16	Refit the wrist.	<p>See section</p> <ul style="list-style-type: none"> • Replacing the wrist unit, IRB1660ID on page 205
17	Remove the oil plug, and refill the axis-5 gear with <i>lubricating oil</i> .	 <p>xx2000002311</p> <p>Where to find type of oil and total amount is detailed in Type and amount of oil in gearboxes on page 130.</p>
18	<p>Inspect the oil plug regarding thickness and condition of the sealing.</p> <p>Replace the complete oil plug if the sealing thickness is less than 1.5 mm or if the sealing is damaged.</p> <p> CAUTION</p> <p>Risk of damage to internal components of the axis-5 gear. Tighten the oil plug with correct torque and make sure the sealing thickness is minimum 1.5 mm.</p>	<p>Oil plug with sealing: 3HAC048968-001.</p>
19	Refit the oil plug with sealing.	Tightening torque: 3 Nm.

Continues on next page

4 Repair

4.6.9 Replacement of motor, axis 5, IRB 1660ID

Continued

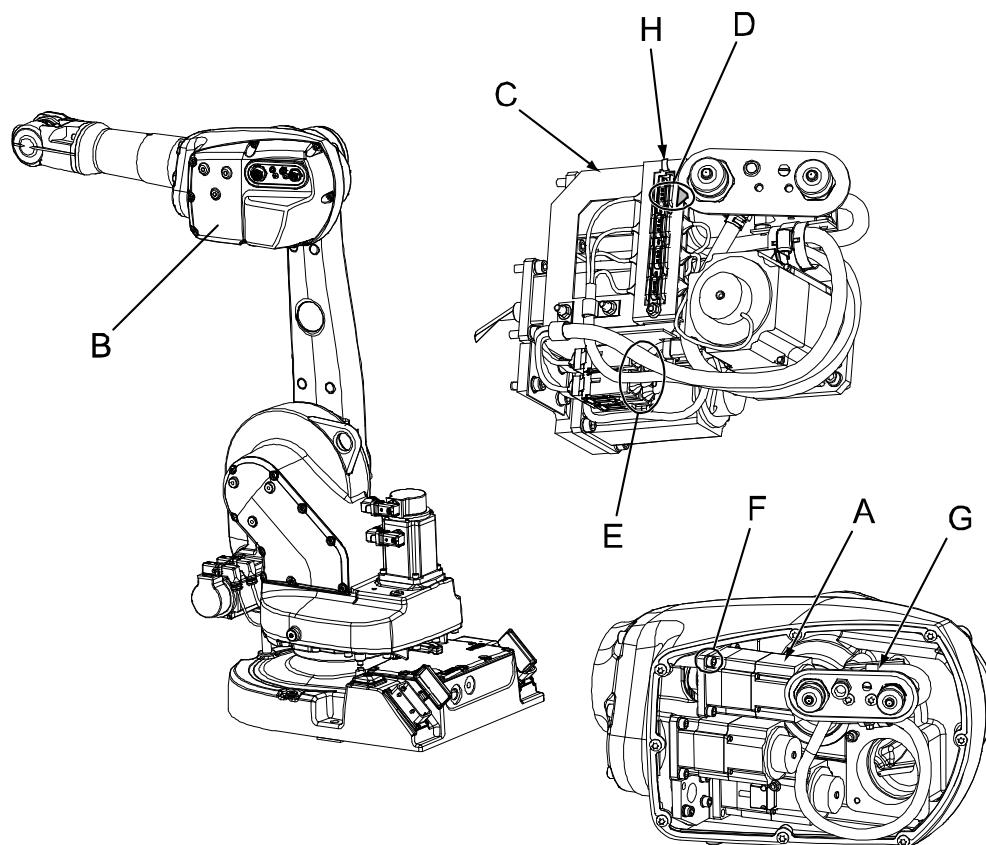
	Action	Information
20	Recalibrate the robot.	Pendulum Calibration is described in <i>Operating manual - Calibration Pendulum</i> , enclosed with the calibration tools. Axis Calibration is described in Calibrating with Axis Calibration method on page 344 . General calibration information is included in section Calibration on page 331 .
21	 DANGER Make sure all safety requirements are met when performing the first test run.	

4.6.10 Replacement of motor and timing belt, axis 6, IRB 1600

Location of motor

The motor and timing belt of axis 6 are located inside the upper arm housing, as shown in the figure below.

A more detailed view of the motor and its position may be found in the spare part view, *Spare parts - Upper arm, exploded view*.



xx0400001281

A	Motor, axis 6
B	Cover, upper arm housing
C	Connector plate
D	Signal cable, axis 6 motor: R3.FB6
E	Power cable, axis 6 motor: R3.MP6
F	Attachment screws and washers, motor (3 pcs)
G	Distance console with cable bracket and contact panel
H	Cable tie

Required equipment

Equipment	Spare part no.	Art. no.	Note
Rot. ac motor incl pinion	3HAC021800-003		

Continues on next page

4 Repair

4.6.10 Replacement of motor and timing belt, axis 6, IRB 1600

Continued

Equipment	Spare part no.	Art. no.	Note
Timing belt	3HAC6779-1		
Gasket, upper arm cover	3HAC022049-001		Replace if damaged.
Gasket, customer connections	3HAC022050-001		Replace if damaged.
Hook		3HAC024045-001	
Dynamometer		-	Capacity: 100N
Standard toolkit			Content is defined in section Standard tools on page 383 .
Other tools and procedures may be required. See references to these procedures in the step-by-step instructions below.			These procedures include references to the tools required.
Circuit diagram			See chapter Circuit diagram on page 389 .



CAUTION

Always cut the paint with a knife and grind the paint edge when disassembling parts. See [Cut the paint or surface on the robot before replacing parts on page 152](#).

Deciding calibration routine


Decide which calibration routine to be used, based on the information in the table. Depending on which routine is chosen, action might be required prior to beginning the repair work of the robot, see the table.

	Action	Note
1	Decide which calibration routine to use for calibrating the robot. <ul style="list-style-type: none"> Reference calibration. External cable packages (DressPack) and tools can stay fitted on the robot. Fine calibration. All external cable packages (DressPack) and tools must be removed from the robot. 	
	If the robot is to be calibrated with reference calibration: Find previous reference values for the axis or create new reference values. These values are to be used after the repair procedure is completed, for calibration of the robot. If no previous reference values exist, and no new reference values can be created, then reference calibration is not possible.	Follow the instructions given in the reference calibration routine on the FlexPendant to create reference values. Creating new values requires possibility to move the robot. Read more about reference calibration for Axis Calibration in <i>Product manual - IRB 4600</i> .
	If the robot is to be calibrated with fine calibration: Remove all external cable packages (DressPack) and tools from the robot.	

Continues on next page

Removal, motor and timing belt, axis 6

The procedure below details how to remove the motor and timing belt of axis 6.

	Action	Note
1	Decide which calibration routine to use, and take actions accordingly prior to beginning the repair procedure.	
2	 DANGER Turn off all: <ul style="list-style-type: none"> • electric power supply • hydraulic pressure supply • air pressure supply to the robot, before entering the robot working area.	
3	Remove the cover from the upper arm housing.	
4	Remove the <i>connector plate</i> .	Shown in the figure Location of motor on page 305 .
5	Remove the complete <i>distance console</i> with cable brackets and contact panel.	Shown in the figure Location of motor on page 305 .
6	Disconnect the motor cables for the axis 6 motor; R3.MP6 and R3.FB6.	
7	Remove the axis 6 motor by unscrewing its three attachment screws and washers.	
8	Remove the timing belt.	

Refitting, motor and timing belt, axis 6

The procedure below details how to refit the motor and timing belt of axis 6.

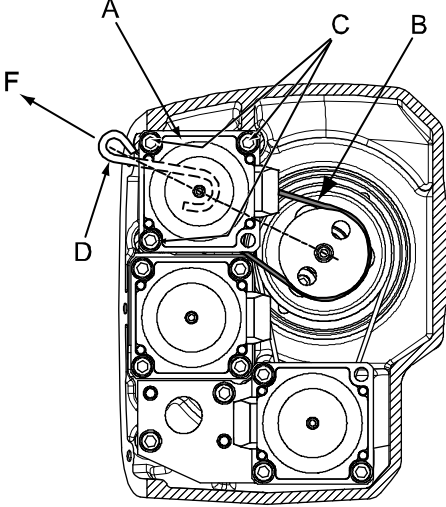

	Action	Note
1	Clean the mating surfaces on the motor and in the upper arm housing.	

Continues on next page

4 Repair

4.6.10 Replacement of motor and timing belt, axis 6, IRB 1600

Continued

	Action	Note
2	<p>Follow the steps below when fitting the motor:</p> <ul style="list-style-type: none"> • Place the timing belt (B) round the motor pinion and place the belt round the axis 6 as fitting the motor in the upper arm housing. • Secure the motor with its tree attachment screws and washers (C), but do not tighten them yet. • Attach the <i>hook</i> round the motor pinion (underneath the motor) and adjust the belt tension with a force of 80 N, using a <i>dynamometer</i>. Shown in the figure to the right. • Tighten the motor attachment screws with a torque of 10 Nm. 	 <p>xx0400001282</p> <p>A Motor, axis 6 B Timing belt, axis 6 C Attachment screws and washers, motor, 3 pcs, M6 x 20 D Hook (motor pinion: Ø24.07 mm) F (Force): 80 N.</p>
3	Refit the complete <i>distance console</i> .	Shown in the figure Location of motor on page 305 .
4	Refit the <i>connector plate</i> . Refit the <i>cable tie</i> .	Shown in the figure Location of motor on page 305 .
5	Reconnect the motor cables: R3.MP6 and R3.FB6.	
6	Place all the cabling correctly inside the upper arm housing.	Cable layout is shown in the figure Illustration, cabling inside upper arm housing on page 159 .
7	Refit the cover to the upper arm housing. Check both the <i>gaskets</i> and replace, if damaged.	Art. no. is specified in Required equipment on page 305 .
8	Recalibrate the robot!	<p>Pendulum Calibration is described in Operating manual - Calibration Pendulum, enclosed with the calibration tools.</p> <p>Axis Calibration is described in Calibrating with Axis Calibration method on page 344.</p> <p>General calibration information is included in section Calibration on page 331.</p>
9	 <p>DANGER</p> <p>Make sure all safety requirements are met when performing the first test run.</p>	

4.6.11 Replacement of motor, axis 6, IRB 1600ID

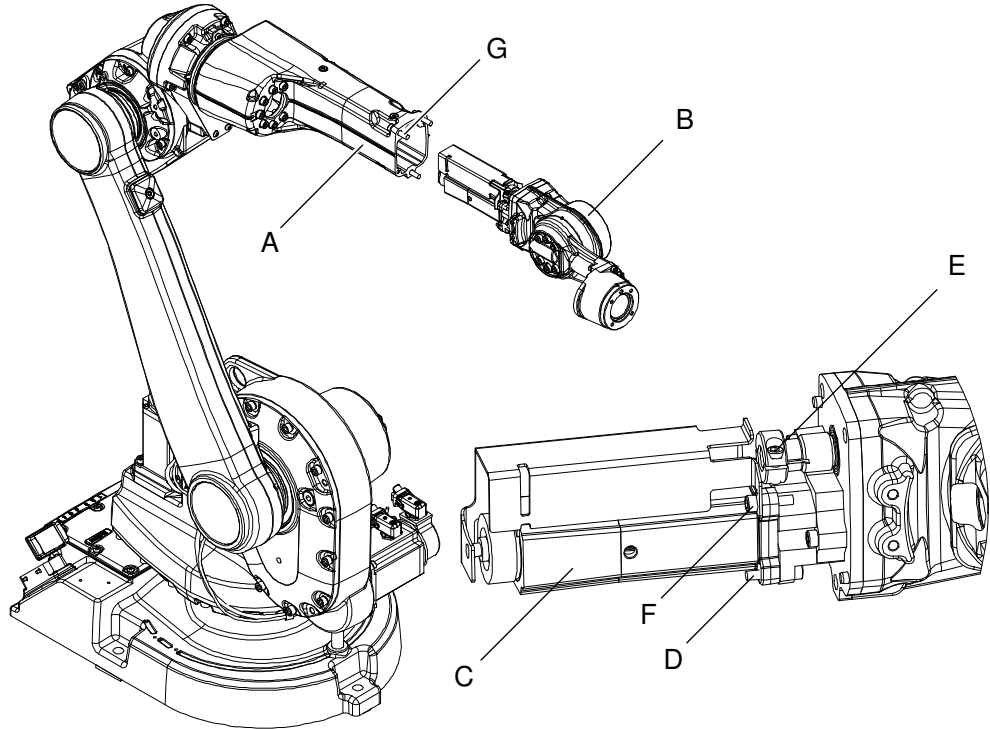


Note

After replacement of motors/motor in a manipulator, recalibration is required.

Location of motor

The motor of axis 6 is located inside the upper arm housing, as shown in the figure below.



xx070000025

A	Upper arm
B	Wrist
C	Motor, axis 6
D	Hexagon socket head screw M5x25
E	Hexagon socket head screw M5x16 10.9 (Short head)
F	Hexagon socket head screw M5x25
G	Hexagon socket head screw M8x35

Required equipment

Equipment	Art. no.	Note
Rot. ac motor incl pinion	For spare part number, see: <ul style="list-style-type: none"> Spare part lists on page 387 	

Continues on next page

4 Repair

4.6.11 Replacement of motor, axis 6, IRB 1600ID

Continued

Equipment	Art. no.	Note
Standard toolkit	-	Standard tools on page 383
Other tools and procedures may be required. See references to these procedures in the step-by-step instructions below.		These procedures include references to the tools required.
Circuit diagram	-	See Circuit diagram on page 389 .



CAUTION

Always cut the paint with a knife and grind the paint edge when disassembling parts. See [Cut the paint or surface on the robot before replacing parts on page 152](#).

Deciding calibration routine



Decide which calibration routine to be used, based on the information in the table. Depending on which routine is chosen, action might be required prior to beginning the repair work of the robot, see the table.

	Action	Note
1	<p>Decide which calibration routine to use for calibrating the robot.</p> <ul style="list-style-type: none"> Reference calibration. External cable packages (DressPack) and tools can stay fitted on the robot. Fine calibration. All external cable packages (DressPack) and tools must be removed from the robot. 	
	<p>If the robot is to be calibrated with reference calibration:</p> <p>Find previous reference values for the axis or create new reference values. These values are to be used after the repair procedure is completed, for calibration of the robot.</p> <p>If no previous reference values exist, and no new reference values can be created, then reference calibration is not possible.</p>	<p>Follow the instructions given in the reference calibration routine on the FlexPendant to create reference values.</p> <p>Creating new values requires possibility to move the robot.</p> <p>Read more about reference calibration for Axis Calibration in <i>Product manual - IRB 4600</i>.</p>
	<p>If the robot is to be calibrated with fine calibration:</p> <p>Remove all external cable packages (DressPack) and tools from the robot.</p>	

Removal of motor axis 6

	Action	Note
1	Move the upper arm to the synchronization position.	
2	Decide which calibration routine to use, and take actions accordingly prior to beginning the repair procedure.	

Continues on next page

	Action	Note
3	 DANGER Turn off all: <ul style="list-style-type: none"> • electric power supply • hydraulic pressure supply • air pressure supply to the robot, before entering the robot working area.	
4	Remove all extra equipment fitted on the upper arm and wrist.	See Remove AW Gun on page 222
5	Remove the wrist.  CAUTION Be careful when handling the wrist. Always hold on the casting, do not hold on the wrist cover. This can damage the sealing which will cause oil leakage.	See Removing the wrist unit on page 201
6	Put the wrist on a work bench or similar.	
7	Remove the cable protection by removing the nuts that holds it.	
8	Open the flexible coupling of the axis-6 motor.	
9	Remove the attachment screws that holds the console and the axis-6 motor.	
10	Remove the motor.	

Refitting of motor axis 6


	Action	Note
1	Remove the old console from the removed axis-6 motor, and scrap it.	
2	Remove the new console from the new spare part wrist.	
3	Fit the new console to the axis-6 motor.	Tightening torque: 6 Nm
4	Fit motor with the new console fitted to the new wrist.	Use Loctite 243 on the attachment screws.
5	Tighten the attachment screws just enough to still be able to move motor and console.	
6	Use caution and rotate the coupling manually. This will help the coupling and motor shaft to be aligned.	
7	Tighten the attachment screws that holds the console to the wrist.	Tightening torque: 6 Nm
8	Check wrist motion by rotating the coupling manually. The motion shall be smooth and even. If not unscrew the attachment screws that holds motor and console, and redo the process.	
9	Tighten the lock screw on the coupling.	Tightening torque: 6 Nm
10	Fit the cable protection cover.	Tightening torque: 6 Nm

Continues on next page

4 Repair

4.6.11 Replacement of motor, axis 6, IRB 1600ID

Continued

	Action	Note
11	Secure the cables to the attachment point with a cable strap.	
12	Refit the wrist.	
13	Recalibrate the robot!	<p>Pendulum Calibration is described in <i>Operating manual - Calibration Pendulum</i>, enclosed with the calibration tools.</p> <p>Axis Calibration is described in Calibrating with Axis Calibration method on page 344.</p> <p>General calibration information is included in section Calibration on page 331.</p>
14	 DANGER Make sure all safety requirements are met when performing the first test run.	

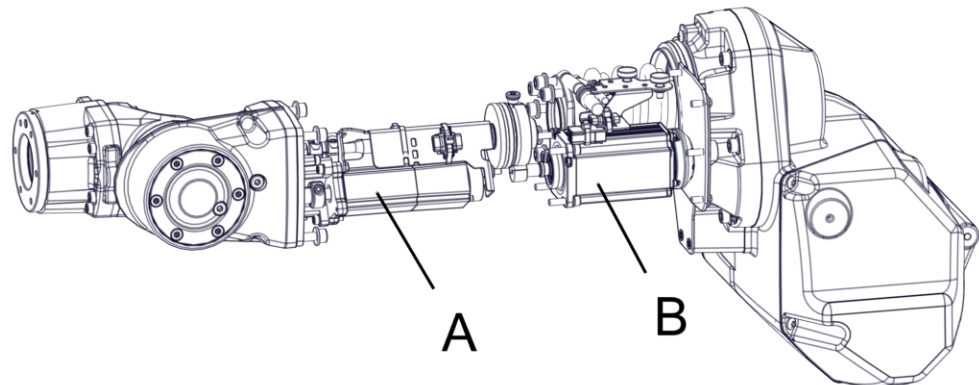
4.6.12 Replacement of motor, axis 6, IRB 1660ID

**Note**

After replacement of motors/motor in a manipulator, recalibration is required.

Location of motor axis 6

Motor axis 6 is located inside the upper arm tube, as shown in the figure.



xx1500001258

A	Motor axis 6
B	Motor axis 5

Required equipment

Equipment	Art. no.	Note
Motor, axis 6	For spare part number, see: <ul style="list-style-type: none"> Spare part lists on page 387 	
Wrist unit, ID	For spare part number, see: <ul style="list-style-type: none"> Spare part lists on page 387 	
VK-cover	3HAA2166-18	Always replace with a new when removed.
Locking liquid	-	Loctite 574
Standard toolkit		Content is defined in section Standard tools on page 383 .
Other tools and procedures may be required. See references to these procedures in the step-by-step instructions below.		These procedures include references to the tools required.

**CAUTION**

Always cut the paint with a knife and grind the paint edge when disassembling parts. See [Cut the paint or surface on the robot before replacing parts on page 152](#).

Continues on next page

4 Repair

4.6.12 Replacement of motor, axis 6, IRB 1660ID

Continued


Deciding calibration routine

Decide which calibration routine to be used, based on the information in the table. Depending on which routine is chosen, action might be required prior to beginning the repair work of the robot, see the table.

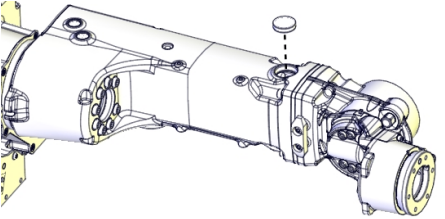
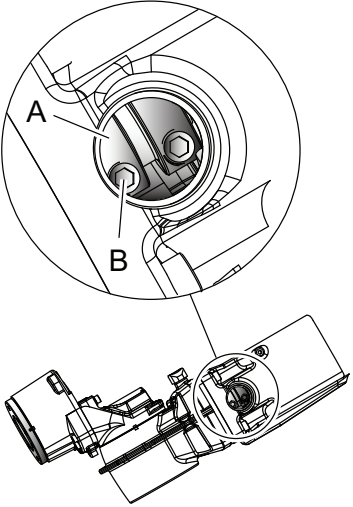
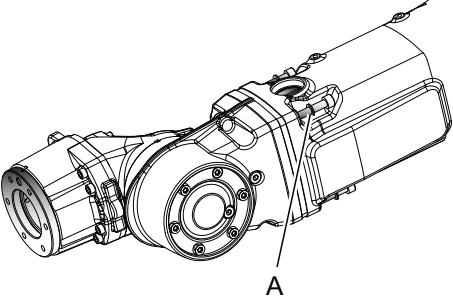
	Action	Note
1	Decide which calibration routine to use for calibrating the robot. <ul style="list-style-type: none"> Reference calibration. External cable packages (DressPack) and tools can stay fitted on the robot. Fine calibration. All external cable packages (DressPack) and tools must be removed from the robot. 	
	If the robot is to be calibrated with reference calibration: Find previous reference values for the axis or create new reference values. These values are to be used after the repair procedure is completed, for calibration of the robot. If no previous reference values exist, and no new reference values can be created, then reference calibration is not possible.	Follow the instructions given in the reference calibration routine on the FlexPendant to create reference values. Creating new values requires possibility to move the robot. Read more about reference calibration for Axis Calibration in <i>Product manual - IRB 4600</i> .
	If the robot is to be calibrated with fine calibration: Remove all external cable packages (DressPack) and tools from the robot.	

Removing axis-6 motor and wrist unit

Use this procedure to remove the axis-6 motor and the wrist unit.

	Action	Information
1	Decide which calibration routine to use, and take actions accordingly prior to beginning the repair procedure.	
2	Move the upper arm to synchronization position.	
3	 DANGER Turn off all: <ul style="list-style-type: none"> electric power supply hydraulic pressure supply air pressure supply to the robot, before entering the robot working area.	
4	Remove all extra equipment fitted on the upper arm.	

Continues on next page


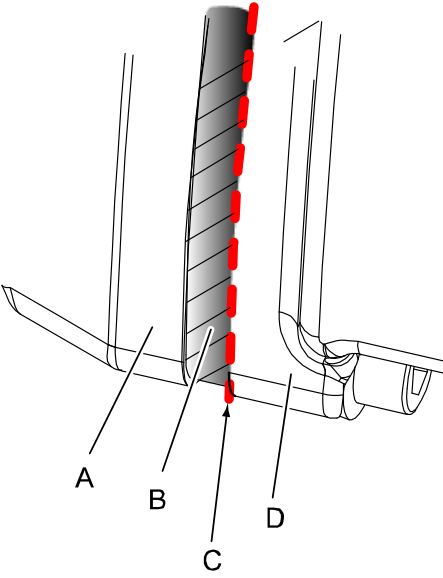

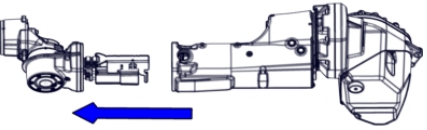
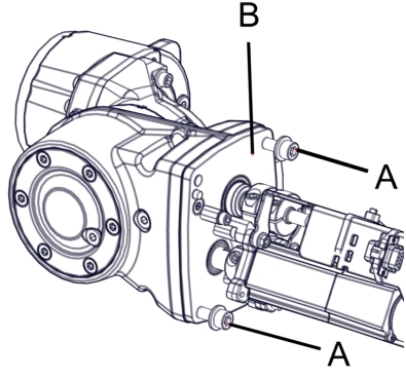
	Action	Information
5	Remove the VK-cover.	 <p>xx100000873</p>
6	Open the flexible coupling securing motor axis 5, on the side facing the wrist.	 <p>xx100000874</p> <ul style="list-style-type: none"> • A: Coupling • B: Attachment screw
7	Remove the attachment screws securing the wrist.	 <p>xx100000875</p> <ul style="list-style-type: none"> • A: Attachment screws (4 pcs)

Continues on next page

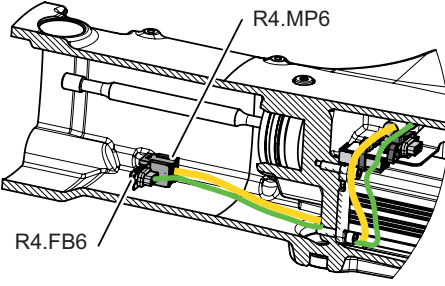

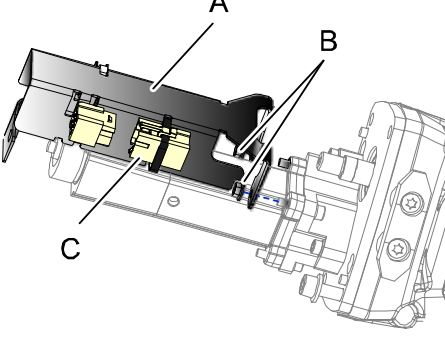
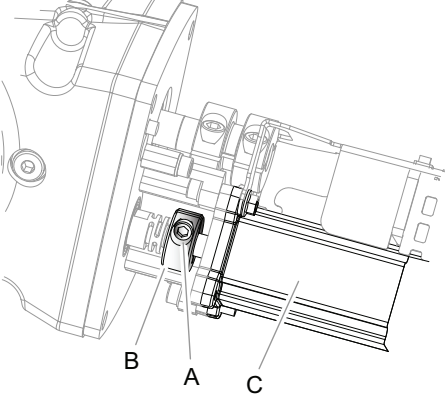
4 Repair

4.6.12 Replacement of motor, axis 6, IRB 1660ID

Continued

	Action	Information
8	<p>Separate wrist and upper arm tube at the marked division point (along the dotted line in the figure).</p> <p> Note</p> <p>There is oil inside the wrist. The cover is only secured with Loctite 574. If opened in the wrong place oil will spill out.</p>	 <p>xx100000933</p> <ul style="list-style-type: none"> • A: Wrist • B: Cover (Secured with Loctite 574 to the wrist) • C: Division point • D: Upper arm tube
9	<p>Pull carefully out the wrist a little to reach the motor cables to motor axis 6.</p> <p> Note</p> <p>The wrist is fitted on cylindrical pins.</p>	 <p>xx1500001259</p>
10	<p>Fit two short screws to the holes for the attachment screws to temporarily secure the cover.</p>	 <p>xx1500003257</p> <ul style="list-style-type: none"> • A: Short screws (2 pcs) • B: Cover

Continues on next page


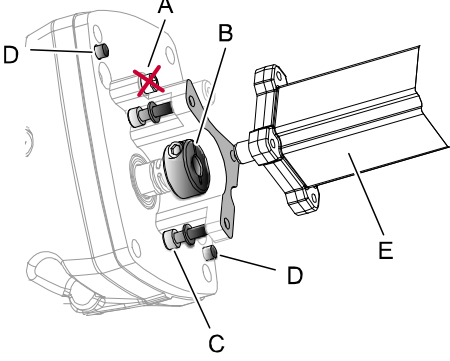
	Action	Information
11	Disconnect the cables R4.MP6 and R4.FB6 to motor axis 6.	 <p>xx1400002575</p>
12	Put the wrist with motor axis 6 on a work bench.	
13	 Note Do not move the gears in the wrist when the motor is removed! When refitting the motor the gears in the wrist shall be in the same position as they were before the removal.	
14	Remove the cable protection by removing the nuts securing it.	 <p>xx1000000931</p> <ul style="list-style-type: none"> • A: Cable protection • B: Nuts (2 pcs) • C: Connector motor axis 6
15	Open the flexible coupling securing motor axis 6.	 <p>xx1000000930</p> <ul style="list-style-type: none"> • A: Attachment screw, coupling • B: Flexible coupling • C: Motor, axis 6

Continues on next page

4 Repair

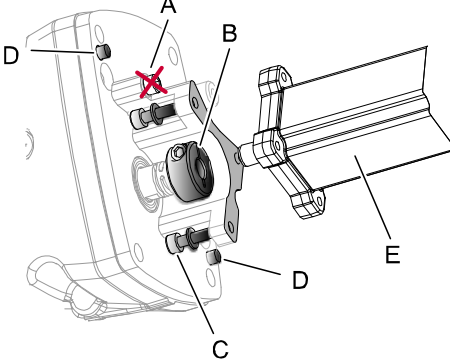
4.6.12 Replacement of motor, axis 6, IRB 1660ID

Continued

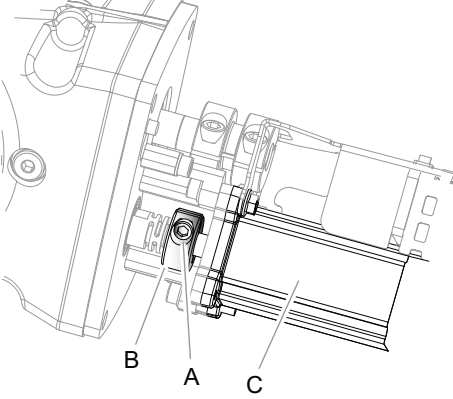
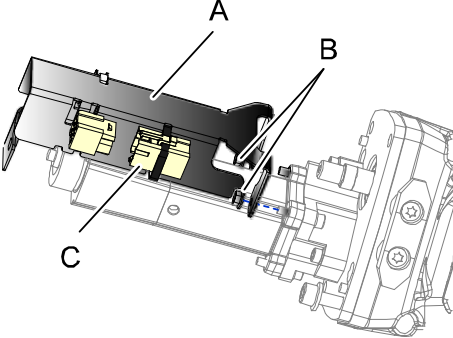
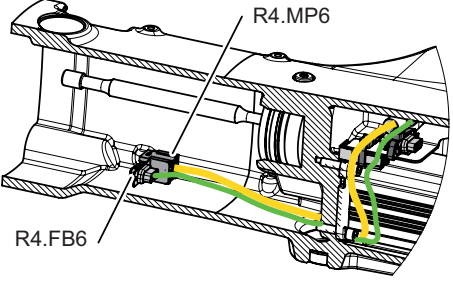
Action	Information
<p>16 Remove the attachment screws securing motor axis 6 and remove the motor.</p> <p> Note</p> <p>Do not remove the attachment screws securing the motor bracket.</p>	 <p>xx100000929</p> <ul style="list-style-type: none"> • A: Attachment screws, bracket • B: Flexible coupling • C: Attachment screws, motor (3 pcs) • D: Cylindrical pins (2 pcs) • E: Motor axis 6

Refitting axis-6 motor and wrist unit

Use this procedure to refit the axis-6 motor and the wrist unit.

Action	Information
<p>1 Place the motor axis 6 into the flexible coupling axis 6.</p>	 <p>xx100000929</p> <ul style="list-style-type: none"> • A: Attachment screws, bracket • B: Flexible coupling • C: Attachment screws, motor (3 pcs) • D: Cylindrical pins (2 pcs) • E: Motor axis 6
<p>2 Secure the motor with its attachment screws.</p>	<p>Tightening torque: 6 Nm</p>

Continues on next page

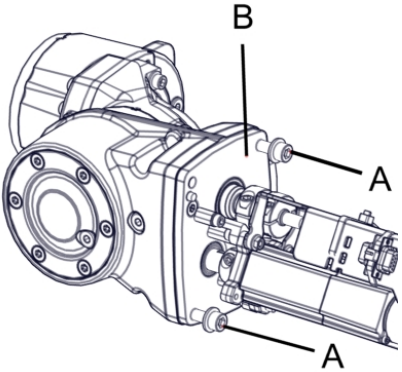
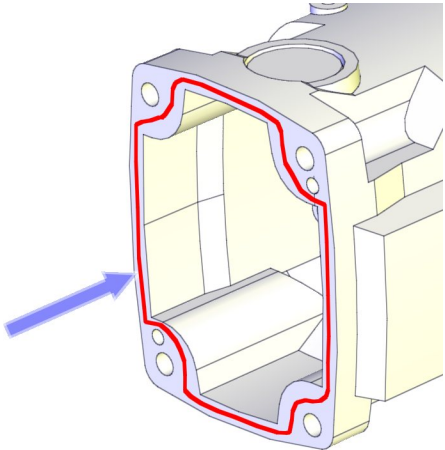
	Action	Information
3	Secure motor axis 6 with the flexible coupling with its attachment screw.	<p>Tightening torque: 6 Nm</p>  <p>xx1000000930</p> <ul style="list-style-type: none"> • A: Attachment screw, coupling • B: Flexible coupling • C: Motor axis 6
4	Fit the cable protection with its nuts.	 <p>xx1000000931</p> <ul style="list-style-type: none"> • A: Cable protection • B: Nuts (2 pcs) • C: Connector motor axis 6
5	Clean all assembly surfaces. Remove any painting from the assembly surfaces, with a knife.	
6	Place the wrist with motor axis 6 fitted a little into the upper arm tube.	
7	Reconnect the cables R4.MP6 and R4.FB6 to motor axis 6.	 <p>xx1400002575</p>

Continues on next page


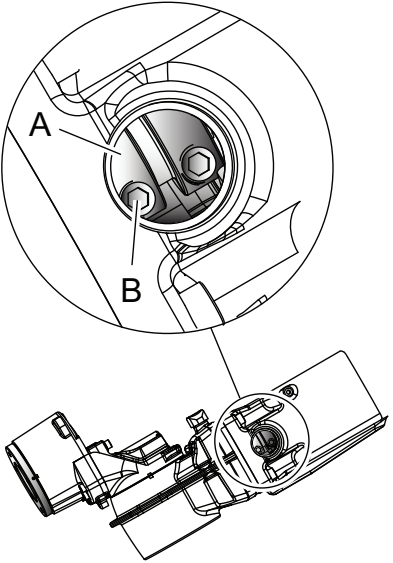
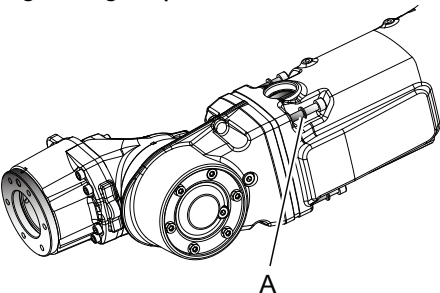
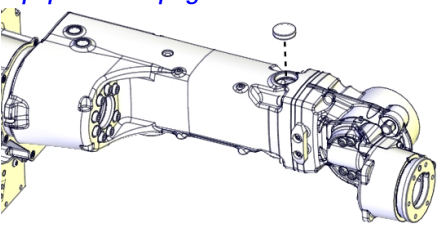
4 Repair

4.6.12 Replacement of motor, axis 6, IRB 1660ID

Continued

	Action	Information
8	Remove the two short screws used to temporarily secure the cover.	 <p>xx1500003257</p> <ul style="list-style-type: none">• A: Short screws (2 pcs)• B: Cover
9	Apply locking liquid to the assembly surface on the upper arm tube.	<p>The locking liquid is specified in Required equipment on page 313.</p>  <p>xx1200000063</p>

Continues on next page


	Action	Information
10	<p>Push the wrist and motor axis 6 into its position onto the cylindrical pins.</p> <p> Tip</p> <p>Look through the hole for the VK-cover when fitting the axis into the flexible coupling of motor axis 5.</p>	 <p>xx1000000874</p> <ul style="list-style-type: none"> • A: Flexible coupling axis 5 • B: Attachment screw
11	<p>Secure the wrist with its attachment screws and washers.</p>	<p>Tightening torque: 35 Nm</p>  <p>xx1000000875</p> <ul style="list-style-type: none"> • A: Attachment screws (4 pcs)
12	<p>Secure the flexible coupling axis 5 with its attachment screw.</p>	<p>Tightening torque: 14 Nm</p>
13	<p>Fit a new VK-cover.</p>	<p>Article number is specified in Required equipment on page 313.</p>  <p>xx1000000873</p>

Continues on next page

4 Repair

4.6.12 Replacement of motor, axis 6, IRB 1660ID

Continued

	Action	Information
14	Recalibrate the robot.	Pendulum Calibration is described in <i>Operating manual - Calibration Pendulum</i> , enclosed with the calibration tools. Axis Calibration is described in Calibrating with Axis Calibration method on page 344 . General calibration information is included in section Calibration on page 331 .
15	 DANGER Make sure all safety requirements are met when performing the first test run.	

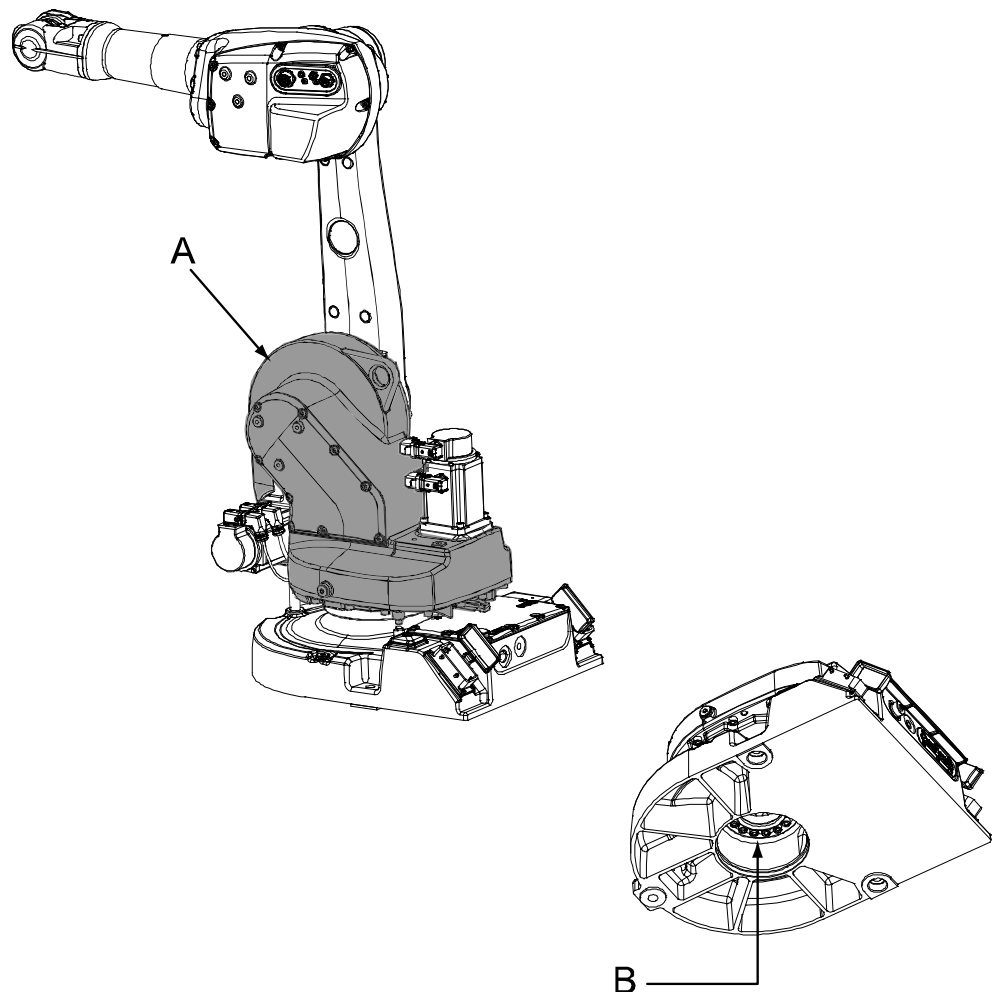
4.7 Gearboxes

4.7.1 Replacement of gearbox, axes 1-2

Location of gearbox unit, axes 1-2

The gearboxes of axes 1 and 2 are located as shown in the figure below. Note that both gearboxes, 1 and 2, are a single unit!

A more detailed view of the gearbox and its position may be found in the spare part view, *Spare parts - Frame, exploded view*.



xx0500001400

A	Gearbox unit, axes 1-2
B	Attachment screws and washer, base-gearbox unit (VK-cover is removed)

Continues on next page

4 Repair

4.7.1 Replacement of gearbox, axes 1-2

Continued

Required equipment

Equipment	Art. no.	Note
Gearbox, axis 1 and 2	For spare part number, see: <ul style="list-style-type: none"> Spare part lists on page 387. 	Includes: <ul style="list-style-type: none"> gearbox V-ring (sealing ring) stop arm
VK-cover	3HAA2166-26	
Isopropanol	-	For cleaning the mating surfaces before fitting.
Grease	3HAC042536-001	For lubricating the V-ring.
Locking liquid	-	Loctite 574
Lifting slings	-	
Standard toolkit		Content is defined in section Standard tools on page 383.
Other tools and procedures may be required. See references to these procedures in the step-by-step instructions below.		These procedures include references to the tools required.

Deciding calibration routine

Decide which calibration routine to be used, based on the information in the table. Depending on which routine is chosen, action might be required prior to beginning the repair work of the robot, see the table.

	Action	Note
1	Decide which calibration routine to use for calibrating the robot. <ul style="list-style-type: none"> Reference calibration. External cable packages (DressPack) and tools can stay fitted on the robot. Fine calibration. All external cable packages (DressPack) and tools must be removed from the robot. 	
	If the robot is to be calibrated with reference calibration: Find previous reference values for the axis or create new reference values. These values are to be used after the repair procedure is completed, for calibration of the robot. If no previous reference values exist, and no new reference values can be created, then reference calibration is not possible.	Follow the instructions given in the reference calibration routine on the FlexPendant to create reference values. Creating new values requires possibility to move the robot. Read more about reference calibration for Axis Calibration in <i>Product manual - IRB 4600</i> .
	If the robot is to be calibrated with fine calibration: Remove all external cable packages (DressPack) and tools from the robot.	

Continues on next page



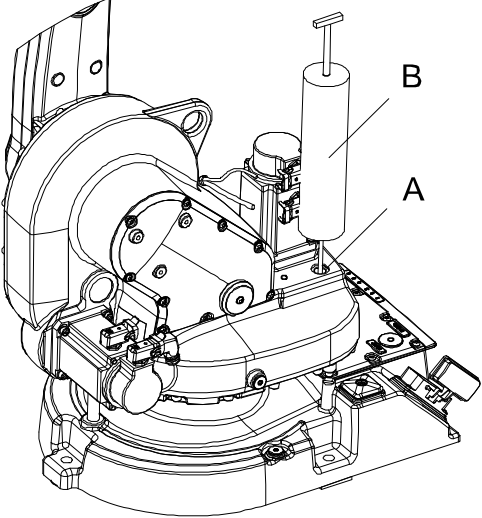


CAUTION

Always cut the paint with a knife and grind the paint edge when disassembling parts. See [Cut the paint or surface on the robot before replacing parts on page 152.](#)

Removal, gearbox unit axes 1-2

The procedure below details how to remove the complete gearbox unit, axes 1-2.

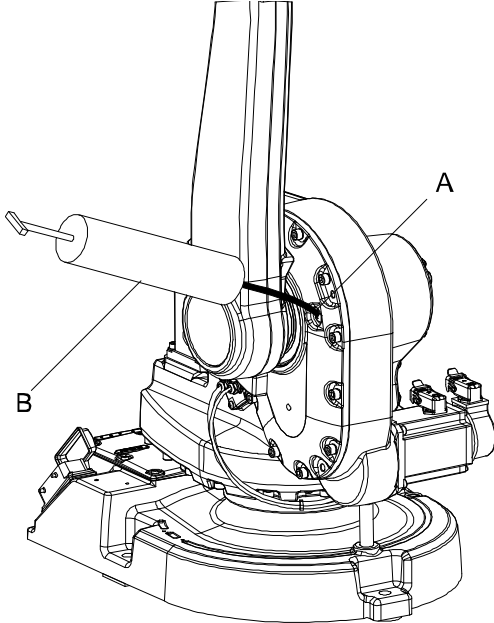

	Action	Note
1	Decide which calibration routine to use, and take actions accordingly prior to beginning the repair procedure.	
2	 <p>DANGER</p> <p>Turn off all:</p> <ul style="list-style-type: none"> • electric power supply • hydraulic pressure supply • air pressure supply <p>to the robot, before entering the robot working area.</p>	
3	 <p>CAUTION</p> <p>Always cut the paint with a knife and grind the paint edge when disassembling parts. See Cut the paint or surface on the robot before replacing parts on page 152.</p>	
4	Remove the oil plug and drain all oil from gearbox axis 1 using a drain pump.	 <p>xx0800000260</p> <p>A Oil plug B Drain pump</p>

Continues on next page

4 Repair

4.7.1 Replacement of gearbox, axes 1-2

Continued




	Action	Note
5	Remove the oil plug and drain all oil from gearbox axis 2 using a drain pump.	 <p>xx0800000261</p> <p>A Oil plug B Drain pump</p>
6	Remove the motor, axis 2.	Detailed in section Replacement of motor, axis 2 on page 257 .
7	Remove the motor, axis 1.	Detailed in section Removing the motor axis 1 on page 254 .
8	Remove the complete arm system.	Detailed in section Removing the complete arm system on page 172 .
9	Unfasten the base from the installation site by removing the attachment bolts from the foundation.	
10	 CAUTION The gearbox unit weighs 120 kg. The base weighs 81 kg. All lifting accessories used must be sized accordingly!	
11	Fit the lifting slings to the base/gearbox unit and place it with the lower arm side downwards, on top of a suitable workbench.	
12	Remove the VK-cover from the bottom of the robot base. Tip! When the cabling is removed, it may be easier to drill a hole through the cover or to try and push it out from the inside.	
13	Secure the weight of the base with lifting slings.	

Continues on next page

	Action	Note
14	Remove the <i>gearbox/base attachment screws and washer</i> .	Shown in the figure Location of gearbox unit, axes 1-2 on page 323 .
15	Separate the base from the gearbox unit.	

Refitting, gearbox unit axes 1-2

The procedure below details how to refit the complete gearbox unit, axes 1-2.




	Action	Note
1	 Note It is important that the gearbox and the mating motor pinion are provided by the same sub-supplier, make sure to order the correct spare part! To determine the correct spare part, see <i>Compatible gearboxes and motors</i> in <i>Product manual, spare parts - IRB 1600/1660</i> .	
2	 DANGER Turn off all: <ul style="list-style-type: none"> • electric power supply • hydraulic pressure supply • air pressure supply to the robot, before entering the robot working area.	
3	 CAUTION The gearbox unit weighs 120 kg. All lifting accessories used must be sized accordingly!	
4	Clean the joints that have been opened. See Cut the paint or surface on the robot before replacing parts on page 152	
5	Place the gearbox unit with the lower arm side downwards on a suitable workbench.	
6	Clean the mating surfaces of the base and of the gearbox unit with isopropanol.	
7	Lubricate the V-ring with <i>grease</i> and fit it to the gearbox unit.	Art. no. is specified in Required equipment on page 324 .
8	Fit a small amount of Loctite 574 on the mating surface in the gearbox unit.	
9	Fit the base to the gearbox unit and secure it with the <i>attachment screws</i> and the washer.	Shown in the figure Location of gearbox unit, axes 1-2 on page 323 . 16 pcs, M10 x 40, tightening torque: 70 Nm.

Continues on next page

4 Repair

4.7.1 Replacement of gearbox, axes 1-2

Continued

	Action	Note
10	Fit a new VK-cover to the base of the robot.	Shown in the figure Location of gearbox unit, axes 1-2 on page 323 . Spare part no. is specified in Required equipment on page 324 .
11	 CAUTION The gearbox unit weighs 120 kg. The base weighs 81 kg. All lifting accessories used must be sized accordingly!	
12	Fit the <i>lifting slings</i> to the base/gearbox unit, turn it right side up and move it to the installation site.	
13	Secure the base to the foundation.	Attachment bolts and the tightening torque are specified in section Attachment bolts, specification on page 64 .
14	Refit the complete arm system.	Detailed in section Refitting, complete arm system on page 174 .
15	Refit the motors, axes 1 and 2.	Detailed in sections: <ul style="list-style-type: none"> • Refitting the motor axis 1 on page 254 • Refitting, motor axis 2 on page 260.
16	Perform a leak-down test.	Detailed in section Performing a leak-down test on page 146 .
17	Fill the two gearboxes with oil.	See, <i>Technical reference manual - Lubrication in gearboxes</i> .
18	Refit the oil plugs, axes 1 and 2.	Tightening torque: 24 Nm
19	Seal and paint the joints that have been opened. See Cut the paint or surface on the robot before replacing parts on page 152  Note After all repair work, wipe the robot free from particles with spirit on a lint free cloth.	
20	Recalibrate the robot.	Pendulum Calibration is described in <i>Operating manual - Calibration Pendulum</i> , enclosed with the calibration tools. Axis Calibration is described in Calibrating with Axis Calibration method on page 344 . General calibration information is included in section Calibration on page 331 .
21	 DANGER Make sure all safety requirements are met when performing the first test run.	

4.7.2 Service work on gearboxes, axes 3, 4, 5 and 6

Gearboxes, replacement

The gearboxes of axes 3, 4, 5 and 6 are intended to run without requiring any repairs or maintenance work. This implies that they must under *no circumstances* be opened or serviced.

If the gearboxes require replacement:

- axes 3 and 4: the complete upper arm is to be replaced. This procedure is detailed in section [Replacing the complete upper arm, IRB 1600 on page 176](#).
- axes 5 and 6: the complete wrist unit is to be replaced. This procedure is detailed in section [Replacing the wrist unit, IRB 1600 on page 194](#).

This page is intentionally left blank

5 Calibration

5.1 Introduction to calibration

5.1.1 Introduction and calibration terminology

Calibration information

This chapter includes general information about the recommended calibration methods and also the detailed procedures for updating the revolution counters, checking the calibration position etc.

Detailed instructions of how to perform Axis Calibration are given on the FlexPendant during the calibration procedure. To prepare calibration with Axis Calibration method, see [Calibrating with Axis Calibration method on page 344](#).

Detailed instructions of how to perform Pendulum Calibration are given in the documentation enclosed with the calibration tools.

Calibration terminology

Term	Definition
Calibration method	A collective term for several methods that might be available for calibrating the ABB robot. Each method contains calibration routines.
Synchronization position	Known position of the complete robot where the angle of each axis can be checked against visual synchronization marks.
Calibration position	Known position of the complete robot that is used for calibration of the robot.
Standard calibration	A generic term for all calibration methods that aim to move the robot to calibration position.
Fine calibration	A calibration routine that generates a new zero position of the robot.
Reference calibration	<p>A calibration routine that in the first step generates a reference to current zero position of the robot. The same calibration routine can later on be used to recalibrate the robot back to the same position as when the reference was stored.</p> <p>This routine is more flexible compared to fine calibration and is used when tools and process equipment are installed.</p> <p>Requires that a reference is created before being used for recalibrating the robot.</p> <p>Requires that the robot is dressed with the same tools and process equipment during calibration as during creation of the reference values.</p>
Update revolution counter	A calibration routine to make a rough calibration of each manipulator axis.
Synchronization mark	Visual marks on the robot axes. When marks are aligned, the robot is in synchronization position.

5 Calibration


5.1.2 Calibration methods

5.1.2 Calibration methods

Overview

This section specifies the different types of calibration and the calibration methods that are supplied by ABB.

Types of calibration

Type of calibration	Description	Calibration method
Standard calibration	<p>The calibrated robot is positioned at calibration position.</p> <p>Standard calibration data is found on the SMB (serial measurement board) or EIB in the robot.</p> <p>For robots with RobotWare 5.04 or older, the calibration data is delivered in a file, calib.cfg, supplied with the robot at delivery. The file identifies the correct resolver/motor position corresponding to the robot home position.</p>	Axis Calibration or Calibration Pendulum ⁱ
Absolute accuracy calibration (optional)	<p>Based on standard calibration, and besides positioning the robot at synchronization position, the Absolute accuracy calibration also compensates for:</p> <ul style="list-style-type: none"> • Mechanical tolerances in the robot structure • Deflection due to load <p>Absolute accuracy calibration focuses on positioning accuracy in the Cartesian coordinate system for the robot.</p> <p>Absolute accuracy calibration data is found on the SMB (serial measurement board) in the robot.</p> <p>For robots with RobotWare 5.05 or older, the absolute accuracy calibration data is delivered in a file, absacc.cfg, supplied with the robot at delivery. The file replaces the calib.cfg file and identifies motor positions as well as absolute accuracy compensation parameters.</p> <p>A robot calibrated with Absolute accuracy has a sticker next to the identification plate of the robot.</p> <p>To regain 100% Absolute accuracy performance, the robot must be recalibrated for absolute accuracy after repair or maintenance that affects the mechanical structure.</p> <div style="border: 1px solid black; padding: 5px; margin-top: 10px;">  <div style="display: inline-block; vertical-align: middle; margin-left: 10px;"> <p>ABSOLUTE ACCURACY</p> <p style="font-size: small; margin: 0;">3HAC 14257-1</p> </div> </div> <p style="font-size: x-small; margin-top: 5px;">xx0400001197</p>	CalibWare

Continues on next page

Type of calibration	Description	Calibration method
Optimization	<p>Optimization of TCP reorientation performance. The purpose is to improve reorientation accuracy for continuous processes like welding and gluing.</p> <p>Wrist optimization will update standard calibration data for axes 4, 5 and 6.</p>	Wrist Optimization

- i The robot is calibrated by either Calibration Pendulum or Axis Calibration at factory. Always use the same calibration method as used at the factory. Information about valid calibration method is found on the calibration label or in the calibration menu on the FlexPendant. If no data is found related to standard calibration, contact the local ABB Service.

Brief description of calibration methods

Calibration Pendulum method

Calibration Pendulum is a standard calibration method for calibration of many of ABB robots (except IRB 6400R, IRB 640, IRB 1400H, and IRB 4400S).

Two different routines are available for the Calibration Pendulum method:

- Calibration Pendulum II
- Reference calibration

The calibration equipment for Calibration Pendulum is delivered as a complete toolkit, including the *Operating manual - Calibration Pendulum*, which describes the method and the different routines further.

Axis Calibration method

Axis Calibration is a standard calibration method for calibration of IRB 1600/1660ID. It is the recommended method in order to achieve proper performance.

The following routines are available for the Axis Calibration method:

- Fine calibration
- Update revolution counters
- Reference calibration

The calibration equipment for Axis Calibration is delivered as a toolkit.

An introduction to the calibration method is given in this manual, see [Calibrating with Axis Calibration method on page 344](#).

The actual instructions of how to perform the calibration procedure and what to do at each step is given on the FlexPendant. You will be guided through the calibration procedure, step by step.

Wrist Optimization method

Wrist Optimization is a method for improving reorientation accuracy for continuous processes like welding and gluing and is a complement to the standard calibration method.

The actual instructions of how to perform the wrist optimization procedure is given on the FlexPendant.

Continues on next page

5 Calibration

5.1.2 Calibration methods

Continued

CalibWare - Absolute Accuracy calibration

The CalibWare tool guides through the calibration process and calculates new compensation parameters. This is further detailed in the *Application manual - CalibWare Field*.

If a service operation is done to a robot with the option Absolute Accuracy, a new absolute accuracy calibration is required in order to establish full performance. For most cases after replacements that do not include taking apart the robot structure, standard calibration is sufficient.

References

Article numbers for the calibration tools are listed in the section [Special tools on page 384](#).

The calibration equipment for Calibration Pendulum is delivered as a complete toolkit, including the *Operating manual - Calibration Pendulum*, which describes the method and the different routines further.

5.1.3 When to calibrate

When to calibrate

The system must be calibrated if any of the following situations occur.

The resolver values are changed

If resolver values are changed, the robot must be re-calibrated using the calibration methods supplied by ABB. Calibrate the robot carefully with standard calibration, according to information in this manual.

If the robot has *absolute accuracy* calibration, it is also recommended, but not always necessary to calibrate for new absolute accuracy.

The resolver values will change when parts affecting the calibration position are replaced on the robot, for example motors or parts of the transmission.

The revolution counter memory is lost

If the revolution counter memory is lost, the counters must be updated. See [Updating revolution counters on page 340](#). This will occur when:

- The battery is discharged
- A resolver error occurs
- The signal between a resolver and measurement board is interrupted
- A robot axis is moved with the control system disconnected

The revolution counters must also be updated after the robot and controller are connected at the first installation.

The robot is rebuilt

If the robot is rebuilt, for example, after a crash or when the reachability of a robot is changed, it needs to be re-calibrated for new resolver values.

If the robot has *absolute accuracy* calibration, it needs to be calibrated for new absolute accuracy.

Robot is not floor mounted

The original calibration data delivered with the robot is generated when the robot is floor mounted. If the robot is not floor mounted, then the robot accuracy could be affected. The robot needs to be calibrated after it is mounted.

5 Calibration

5.2.1 Synchronization marks and synchronization position for axes

5.2 Synchronization marks and axis movement directions

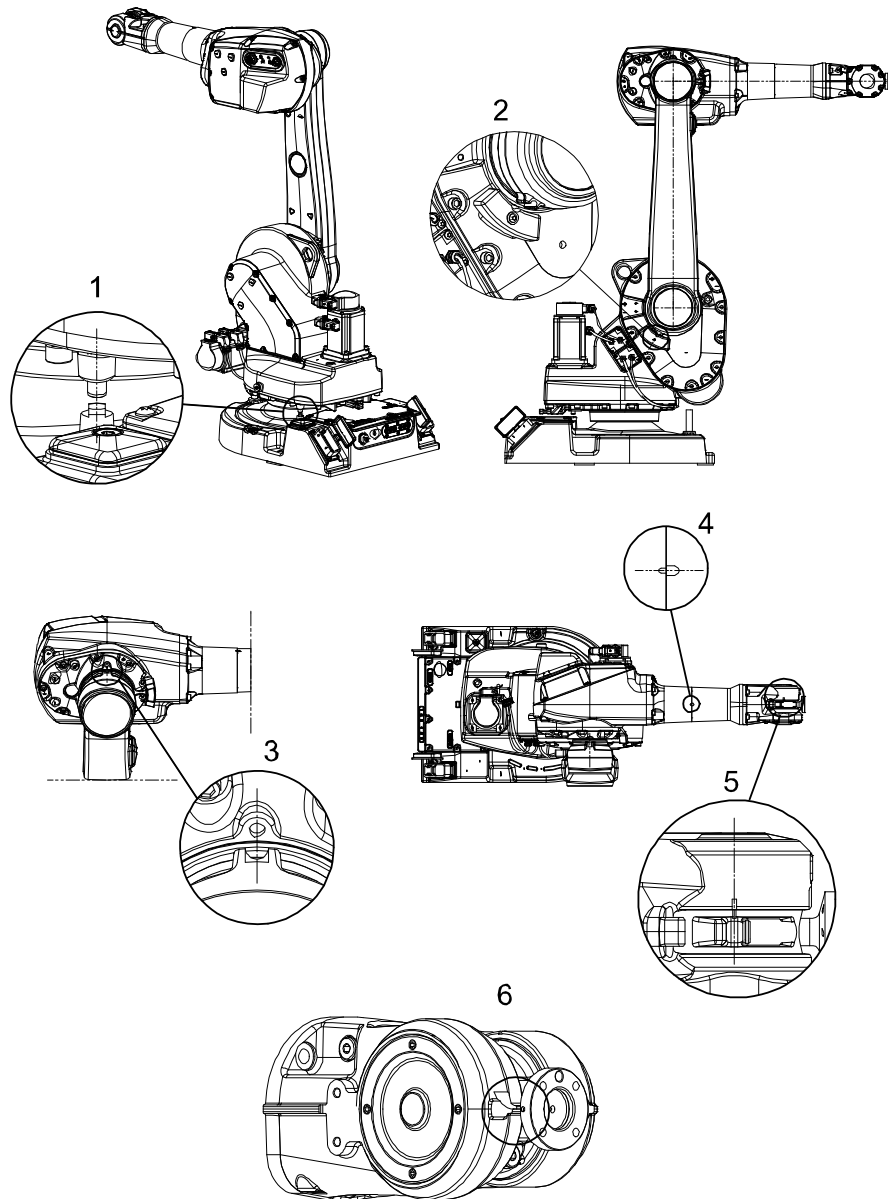
5.2.1 Synchronization marks and synchronization position for axes

Introduction

This section shows the position of the synchronization marks and the synchronization position for each axis.

Synchronization marks, IRB 1600/IRB 1660ID

IRB 1600



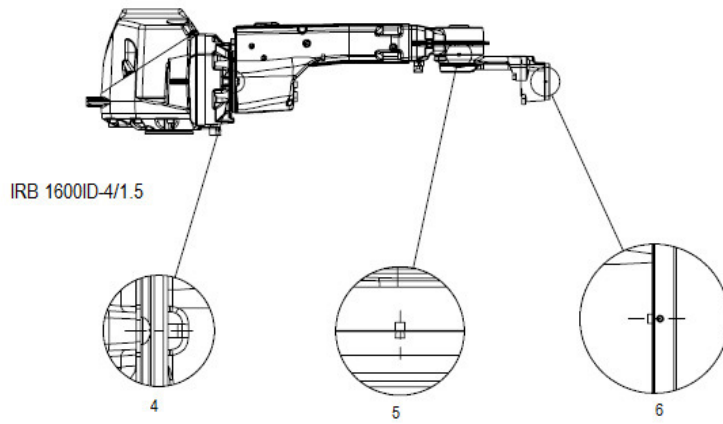
xx0600002876

Continues on next page

5.2.1 Synchronization marks and synchronization position for axes
Continued

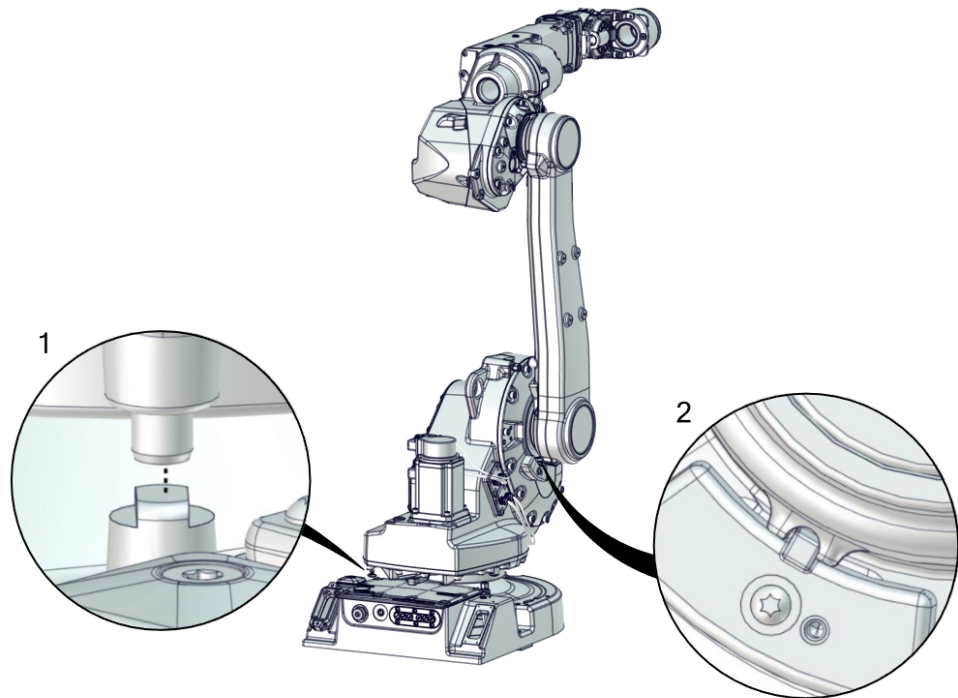
IRB 1600ID

The illustration shows the synchronization marks of axes 4, 5 and 6 for IRB 1600ID. Refer to illustration valid for IRB 1600 for axes 1, 2 and 3.



xx1500001256

IRB 1660ID



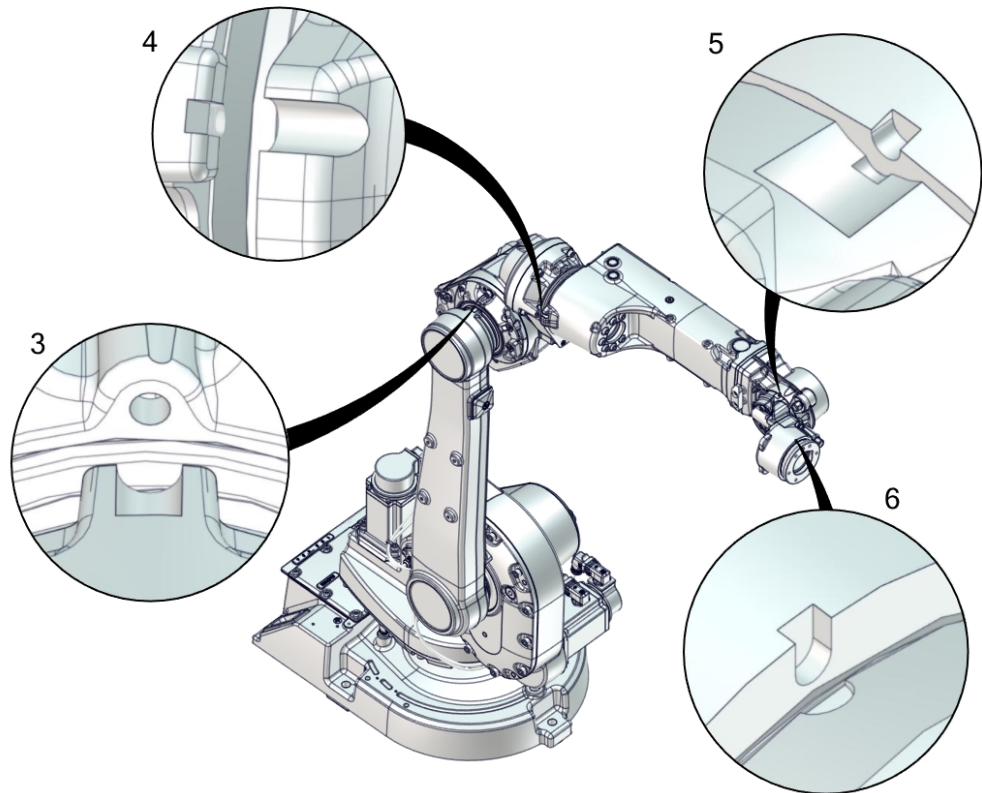
xx1700000115

Continues on next page

5 Calibration

5.2.1 Synchronization marks and synchronization position for axes

Continued



xx170000116

5.2.2 Calibration movement directions for all axes

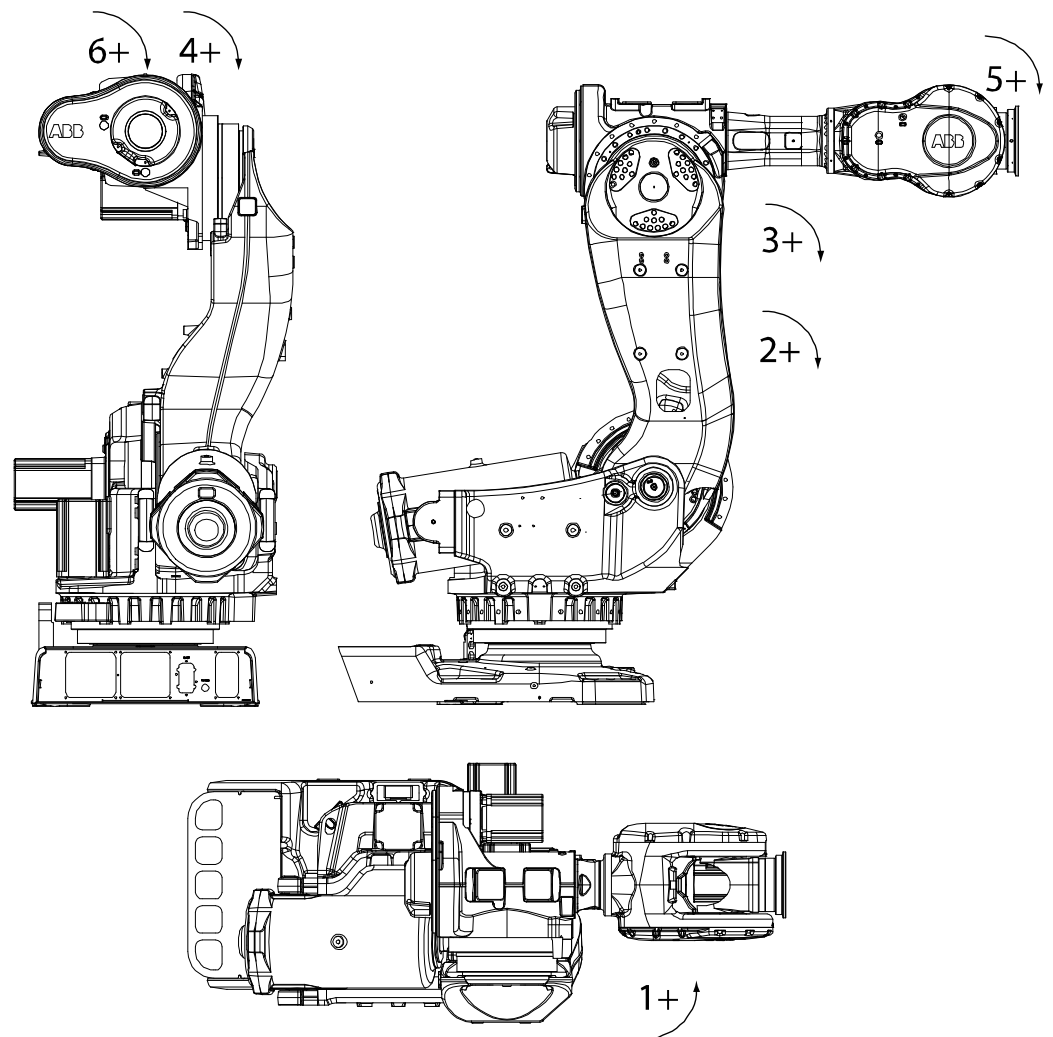
Overview

When calibrating, the axis must consistently be run towards the calibration position in the same direction in order to avoid position errors caused by backlash in gears and so on. Positive directions are shown in the graphic below.

Calibration service routines will handle the calibration movements automatically and these might be different from the positive directions shown below.

Manual movement directions, 6 axes

Note! The graphic shows an IRB 7600. The positive direction is the same for all 6-axis robots, except the positive direction of axis 3 for IRB 6400R, which is in the opposite direction!



xx020000089

5 Calibration

5.3.1 Updating revolution counters on IRC5 robots

5.3 Updating revolution counters

5.3.1 Updating revolution counters on IRC5 robots

Introduction

This section describes how to do a rough calibration of each manipulator axis by updating the revolution counter for each axis, using the FlexPendant.

Coupled axes

When updating the revolution counters for a coupled axis, also the axis it is coupled to needs to be at its synchronization position for the update to be correct; i.e. axis 4 needs to be in synchronization position when updating axis 5 and 6.

With reversed coupled joints, the relationship is the opposite, i.e. axis 4 needs to be in synchronization position to update axis 3.

Coupled axes	IRB 140	IRB 1410	IRB 1520	IRB 1600	IRB 1600ID	IRB 1660ID	IRB 910 SC	IRB 2400	IRB 2600	IRB 2600ID	IRB 4400	IRB 4450S	IRB 4600
Axis 4, 5, 6	x			x				x	x		x	x	x
Axis 5, 6		x	x		x	x				x			
Axis 4, 3							x						

Step 1 - Manually running the manipulator to the synchronization position

Use this procedure to manually run the manipulator to the synchronization position.

	Action	Note
1	Select axis-by-axis motion mode.	
2	Jog the manipulator to align the synchronization marks.	See Synchronization marks and synchronization position for axes on page 336 .
3	When all axes are positioned, update the revolution counter.	Step 2 - Updating the revolution counter with the FlexPendant on page 341 .

Correct calibration position of axis 4 and 6

When jogging the manipulator to synchronization position, it is extremely important to make sure that axes 4 and 6 of the following mentioned manipulators are positioned correctly. The axes can be calibrated at the wrong turn, resulting in an incorrect manipulator calibration.

Make sure the axes are positioned according to the correct calibration values, not only according to the synchronization marks. The correct values are found on a label, located either on the lower arm, underneath the flange plate on the base or on the frame.

Continues on next page

At delivery the manipulator is in the correct position. Do NOT rotate axis 4 or 6 at power up before the revolution counters are updated.

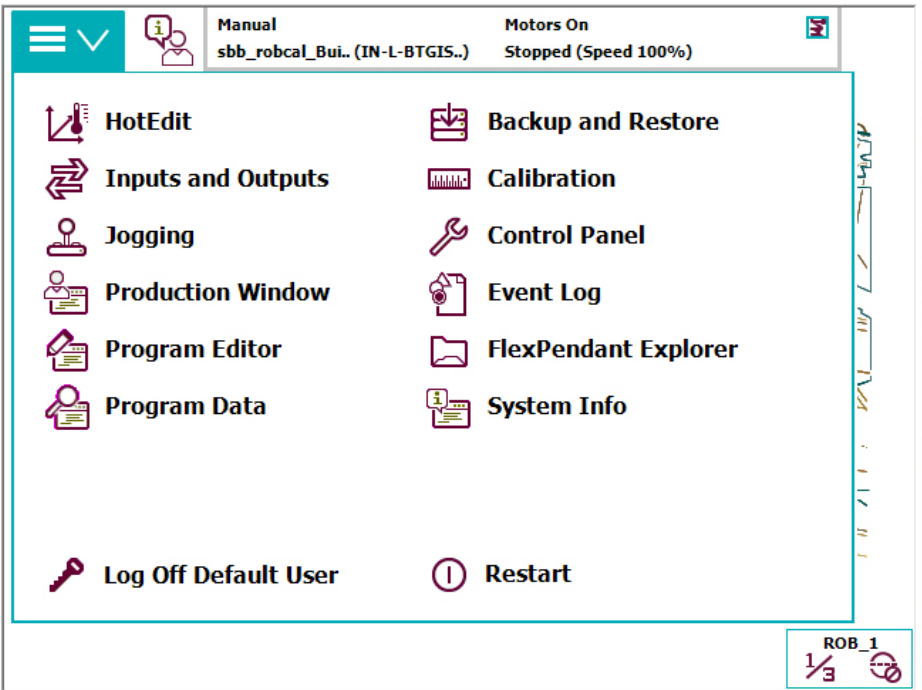
If one of the following mentioned axes are rotated one or more turns from its calibration position before updating the revolution counter, the correct calibration position will be lost due to non-integer gear ratio. This affects the following manipulators:

Manipulator variant	Axis 4	Axis 6
IRB 1600	No	Yes
IRB 1600ID	No	No

If the synchronization marks seem to be wrong (even if the motor calibration data is correct), try to rotate the axis one turn, update the revolution counter and check the synchronization marks again (try both directions, if needed).

Step 2 - Updating the revolution counter with the FlexPendant

Use this procedure to update the revolution counter with the FlexPendant (IRC5).

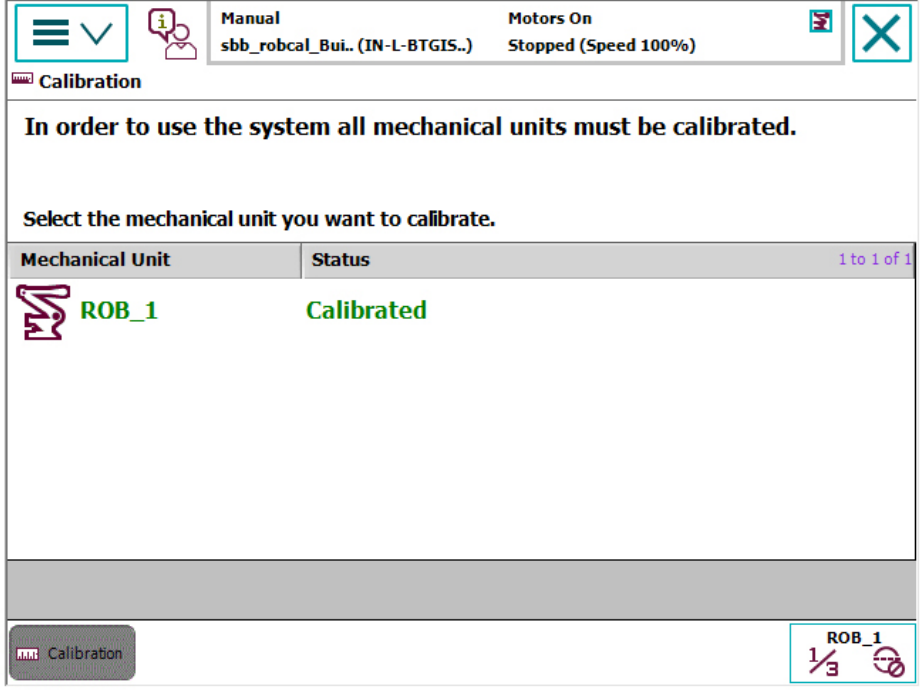
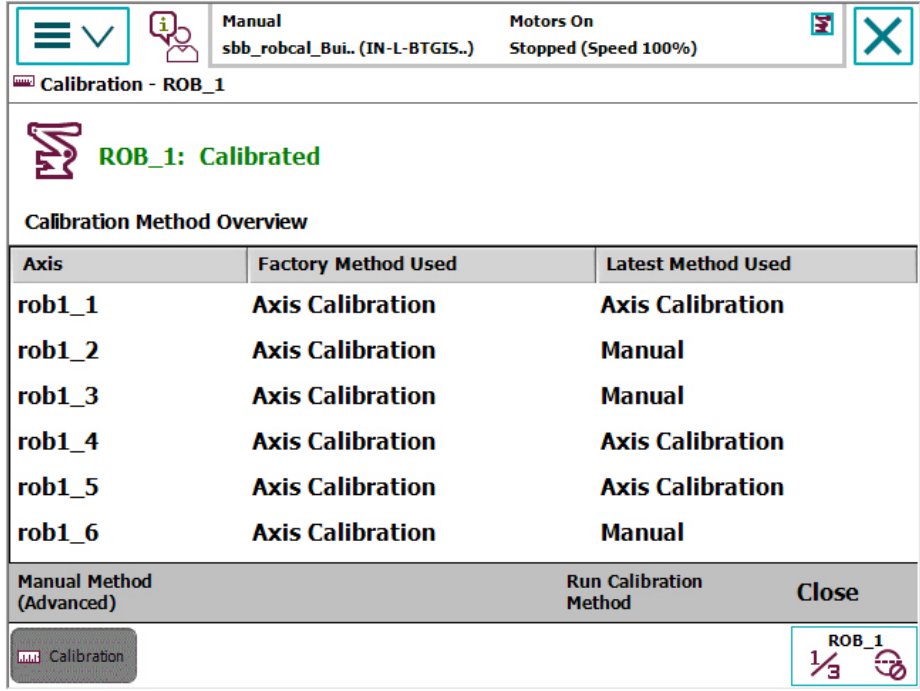
Action	
1	<p>On the ABB menu, tap Calibration.</p>  <p>xx1500000942</p>

Continues on next page

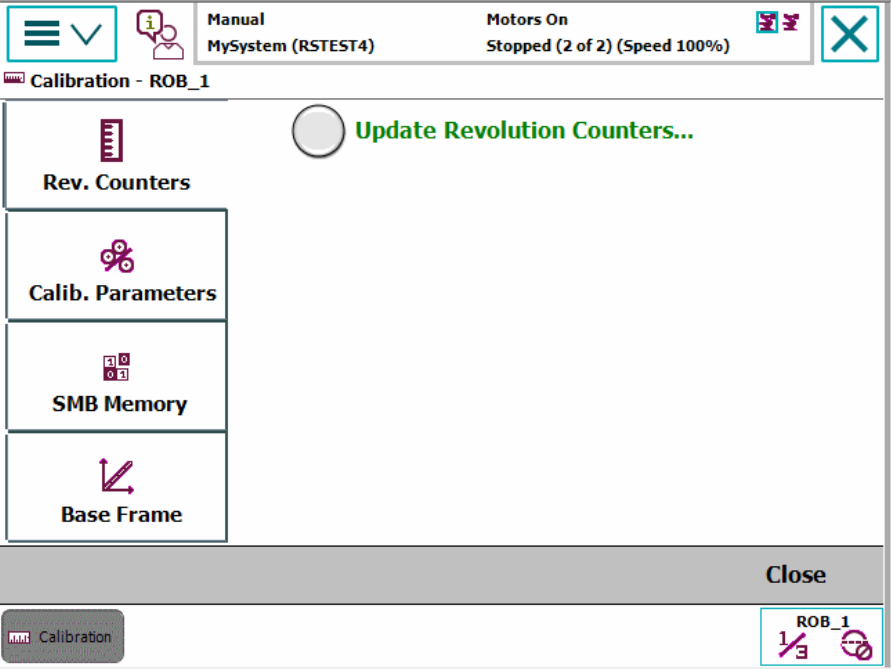

5 Calibration

5.3.1 Updating revolution counters on IRC5 robots

Continued

Action																						
2	<p>All mechanical units connected to the system are shown with their calibration status. Tap the mechanical unit in question.</p>  <p>The screenshot shows a mobile application interface for robot calibration. At the top, there is a status bar with 'Manual' mode, 'Motors On', and 'Stopped (Speed 100%)'. Below this is a 'Calibration' header with a warning icon. The main content area contains the text: 'In order to use the system all mechanical units must be calibrated. Select the mechanical unit you want to calibrate.' Below this is a table with two columns: 'Mechanical Unit' and 'Status'. The table contains one entry: 'ROB_1' with the status 'Calibrated'. At the bottom, there is a 'Calibration' button and a 'ROB_1' button with a refresh icon.</p> <p>xx150000943</p>																					
3	<p>This step is valid for RobotWare 6.02 and later. Calibration method used at factory for each axis is shown, as well as calibration method used during last field calibration. Tap Manual Method (Advanced).</p>  <p>The screenshot shows the 'Calibration Method Overview' screen for 'ROB_1'. It features a table with the following data:</p> <table border="1" data-bbox="481 1518 1391 1832"> <thead> <tr> <th>Axis</th> <th>Factory Method Used</th> <th>Latest Method Used</th> </tr> </thead> <tbody> <tr> <td>rob1_1</td> <td>Axis Calibration</td> <td>Axis Calibration</td> </tr> <tr> <td>rob1_2</td> <td>Axis Calibration</td> <td>Manual</td> </tr> <tr> <td>rob1_3</td> <td>Axis Calibration</td> <td>Manual</td> </tr> <tr> <td>rob1_4</td> <td>Axis Calibration</td> <td>Axis Calibration</td> </tr> <tr> <td>rob1_5</td> <td>Axis Calibration</td> <td>Axis Calibration</td> </tr> <tr> <td>rob1_6</td> <td>Axis Calibration</td> <td>Manual</td> </tr> </tbody> </table> <p>Below the table, there are three buttons: 'Manual Method (Advanced)', 'Run Calibration Method', and 'Close'. At the bottom, there is a 'Calibration' button and a 'ROB_1' button with a refresh icon.</p> <p>xx150000944</p>	Axis	Factory Method Used	Latest Method Used	rob1_1	Axis Calibration	Axis Calibration	rob1_2	Axis Calibration	Manual	rob1_3	Axis Calibration	Manual	rob1_4	Axis Calibration	Axis Calibration	rob1_5	Axis Calibration	Axis Calibration	rob1_6	Axis Calibration	Manual
Axis	Factory Method Used	Latest Method Used																				
rob1_1	Axis Calibration	Axis Calibration																				
rob1_2	Axis Calibration	Manual																				
rob1_3	Axis Calibration	Manual																				
rob1_4	Axis Calibration	Axis Calibration																				
rob1_5	Axis Calibration	Axis Calibration																				
rob1_6	Axis Calibration	Manual																				

Continues on next page

	Action
4	<p>A screen is displayed, tap Rev. Counters.</p> 
5	<p>Tap Update Revolution Counters.... A dialog box is displayed, warning that updating the revolution counters may change programmed robot positions:</p> <ul style="list-style-type: none"> • Tap Yes to update the revolution counters. • Tap No to cancel updating the revolution counters. <p>Tapping Yes displays the axis selection window.</p>
6	<p>Select the axis to have its revolution counter updated by:</p> <ul style="list-style-type: none"> • Ticking in the box to the left • Tapping Select all to update all axes. <p>Then tap Update.</p>
7	<p>A dialog box is displayed, warning that the updating operation cannot be undone:</p> <ul style="list-style-type: none"> • Tap Update to proceed with updating the revolution counters. • Tap Cancel to cancel updating the revolution counters. <p>Tapping Update updates the selected revolution counters and removes the tick from the list of axes.</p>
8	<p> CAUTION</p> <p>If a revolution counter is incorrectly updated, it will cause incorrect manipulator positioning, which in turn may cause damage or injury! Check the synchronization position very carefully after each update. See Checking the synchronization position on page 365.</p>

5 Calibration

5.4.1 Description of Axis Calibration

5.4 Calibrating with Axis Calibration method

5.4.1 Description of Axis Calibration

Instructions for Axis Calibration procedure given on the FlexPendant

The actual instructions of how to perform the calibration procedure and what to do at each step is given on the FlexPendant. You will be guided through the calibration procedure, step by step.

This manual contains a brief description of the method, additional information to the information given on the FlexPendant, article number for the tools and images of where to fit the calibration tools on the robot.

Overview of the Axis Calibration procedure

The Axis Calibration procedure applies to all axes, and is performed on one axis at the time. The robot axes are both manually and automatically moved into position, as instructed on the FlexPendant.

A fixed calibration pin/bushing is installed on each robot axis at delivery.

The Axis Calibration procedure described roughly:

- 1 A removable calibration tool is inserted by the operator into a calibration bushing on the axis chosen for calibration, according to instructions on the FlexPendant.



WARNING

Calibrating the robot with Axis Calibration requires special calibration tools from ABB. Using other pins in the calibration bushings may cause severe damage to the robot and/or personnel.



WARNING

The calibration tool must be fully inserted into the calibration bushing, until the steel spring ring snaps into place.

- 2 During the calibration procedure, RobotWare moves the robot axis chosen for calibration so that the calibration tools get into contact. RobotWare records values of the axis position and repeats the coming-in-contact procedure several times to get an exact value of the axis position.



WARNING

Risk of pinching! The contact force for large robots can be up to 150 kg. Keep a safe distance to the robot.

- 3 The axis position is stored in RobotWare with an active choice from the operator.

Continues on next page

Routines in the calibration procedure

The following routines are available in the Axis Calibration procedure, given at the beginning of the procedure on the FlexPendant.

Fine calibration routine

Choose this routine to calibrate the robot when there are no tools, process cabling or equipment fitted to the robot.

Reference calibration routine

Choose this routine to create reference values and to calibrate the robot when the robot is dressed with tools, process cabling or other equipment.

Also choose this routine if the robot is wall mounted or suspended.



Note

When calibrating the robot with the reference calibration routine, the robot must be dressed with the same tools, process cabling and any other equipment as when the reference values were created.

If calibrating the robot with reference calibration there must be reference values created before repair is made to the robot, if values are not already available. Creating new values requires possibility to move the robot. The reference values contain positions of all axes, torque of axes and technical data about the tool installed. A benefit with reference calibration is that the current state of the robot is stored and not the state when the robot left the ABB factory. The reference value will be named according to tool name, date etc.

Follow the instructions given in the reference calibration routine on the FlexPendant to create reference values.

When reference calibration is performed, the robot is restored to the status given by the reference values.

Update revolution counters

Choose this routine to make a rough calibration of each manipulator axis by updating the revolution counter for each axis, using the FlexPendant.

Validation

In the mentioned routines, it is also possible to validate the calibration data.

Position of robot axes

The robot axes should be positioned close to 0 degrees before commencing the calibration program. The axis chosen for calibration is then automatically run by the calibration program to its exact calibration position during the calibration procedure.

It is possible to position some of the other axes in positions different from 0 degrees. Information about which axes are allowed to be jogged is given on the FlexPendant.

Continues on next page

5 Calibration

5.4.1 Description of Axis Calibration

Continued

These axes are marked with **Unrestricted** in the FlexPendant window. Also the following table shows the dependencies between the axes.

Requirements for axis positioning during calibration

Required position of axis	Axis to calibrate					
	Axis 1	Axis 2	Axis 3	Axis 4	Axis 5	Axis 6
Axis 1	-	*	*	*	*	*
Axis 2	0	-	0	*	*	*
Axis 3	0	0	-	*	*	*
Axis 4	*	*	*	-	0 ⁱ / * ⁱⁱ	0 ⁱ / * ⁱⁱ
Axis 5	*	*	*	*	-	0
Axis 6	*	*	*	*	*	-

ⁱ Valid for IRB 1600.

ⁱⁱ Valid for IRB 1660ID.

-	Axis to be calibrated
*	Unrestricted. Axis is allowed to be jogged to other position than 0 degrees.
0	Axis must be put in position 0 degrees.

System containing SafeMove

SafeMove will lose its synchronization to the controller if a new calibration is done. New calibration values have to be downloaded to SafeMove, and a new SafeMove calibration has to be done. Make sure that the user rights admit to change the safety settings and to synchronize SafeMove.

For robots with EPS, the same applies as for SafeMove.

How to calibrate a suspended or wall mounted robot

The IRB 1600/1660ID is fine calibrated floor standing in factory, prior to shipping. To calibrate a suspended or wall mounted robot, reference calibration could be used. Reference values for a suspended or a wall mounted robot must be created with the robot mounted at its working position, not standing on a floor.

To calibrate a suspended or wall mounted robot with the fine calibration routine, the robot must first be taken down and mounted standing on the floor.

5.4.2 Calibration tools for Axis Calibration

Calibration tool set

The calibration tools used for Axis Calibration are designed to meet requirements for calibration performance, durability and safety in case of accidental damage.

The calibration tool will eventually break from fatigue after longer period of use and then needs to be replaced. There is no risk for bad calibrations as long as the calibration tool is in one piece.



WARNING

Calibrating the robot with Axis Calibration requires special calibration tools from ABB. Using other pins in the calibration bushings may cause severe damage to the robot and/or personnel.

Equipment, etc.	Article number	Note
Calibration tool box, Axis Calibration	3HAC074119-001	Delivered as a set of calibration tools. Required if Axis Calibration is the valid calibration method for the robot. Contains a removal tool for removing special protection plugs on the turning disc.

Examining the calibration tool

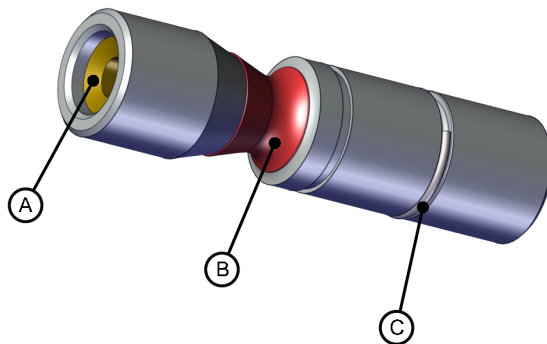
Check prior to usage

Before using the calibration tool, make sure that the tube insert, the plastic protection and the steel spring ring are present.



WARNING

If any part is missing or damaged, the tool must be replaced immediately.



xx1500001914

A	Tube insert
B	Plastic protection
C	Steel spring ring

Continues on next page

5 Calibration

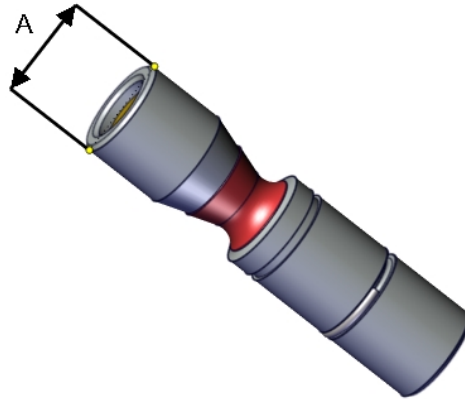
5.4.2 Calibration tools for Axis Calibration

Continued

Periodic check of the calibration tool

If including the calibration tool in a local periodic check system, the following measures should be checked.

- Outer diameter within $\varnothing 12g4$ mm, $\varnothing 8g4$ mm or $\varnothing 6g5$ mm (depending on calibration tool size).
- Straightness within 0.005 mm.



xx1500000951

A	Outer diameter
---	----------------

5.4.3 Installation locations for the calibration tools

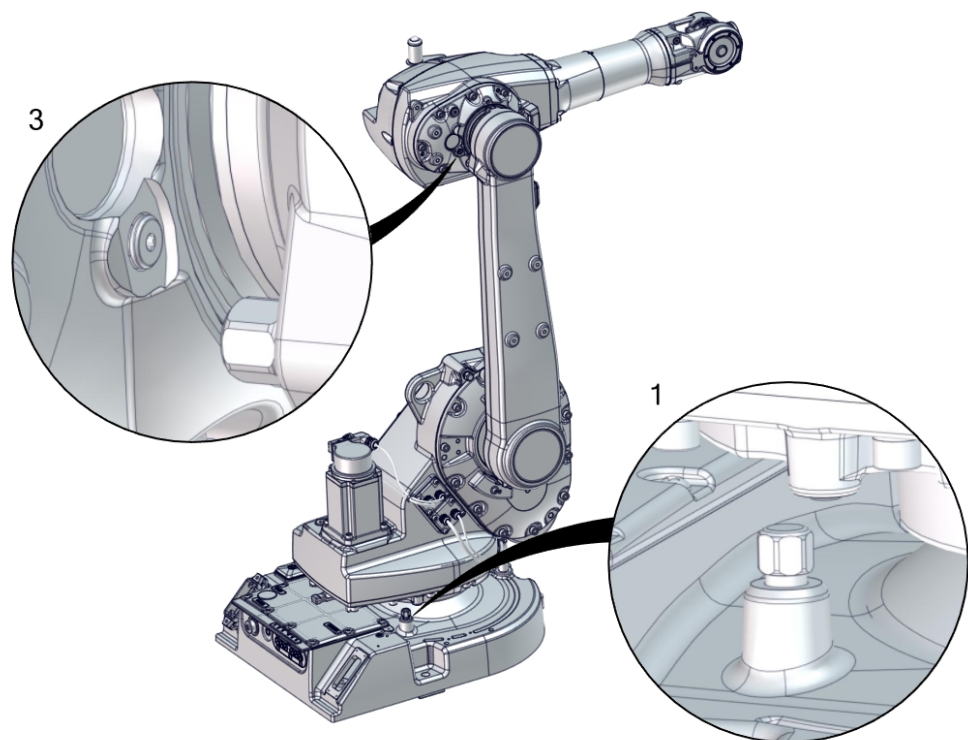
Location of fixed calibration items

This section shows how the robot is equipped with items for installation of calibration tools for Axis Calibration (fixed calibration pins and/or bushings). Installed calibration tools are not shown.

A fixed calibration pin and a bushing for the movable calibration tool are located on each axis as follows.

If there is not enough space on an axis to install a fixed calibration pin, the axis is equipped with two bushings instead, for installation of two calibration tools when calibration is carried out. This is shown in the figure.

IRB 1600



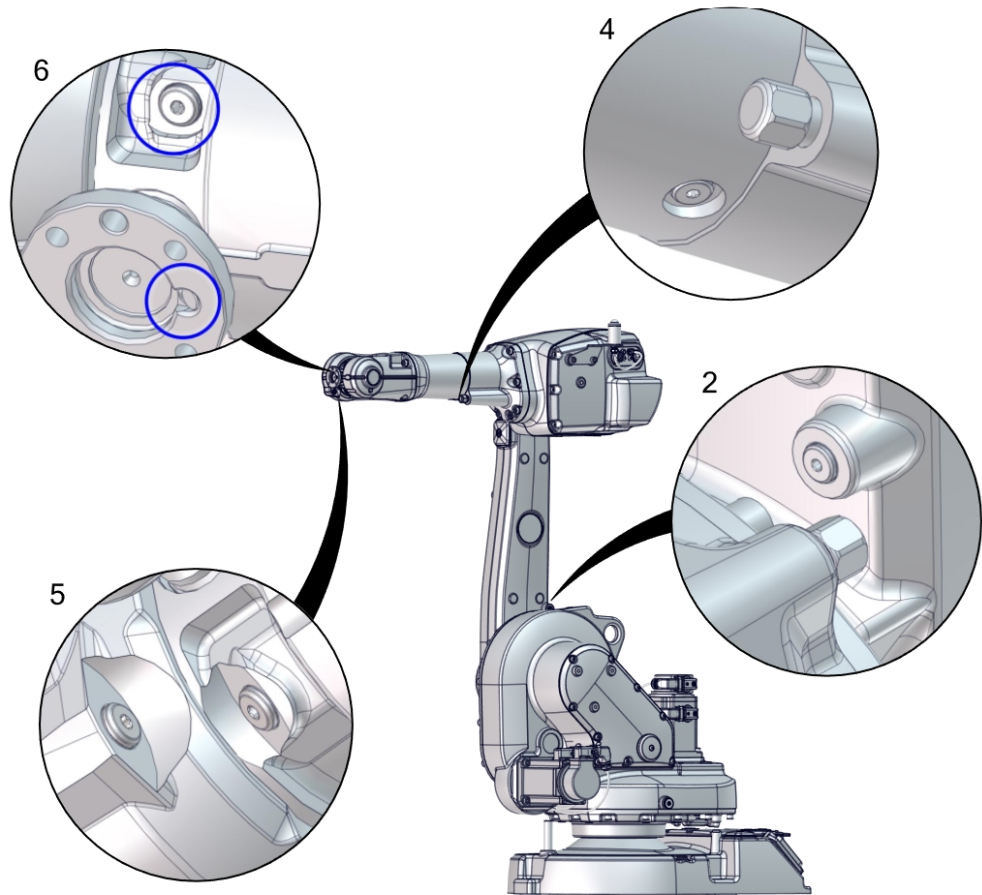
xx170000113

Continues on next page

5 Calibration

5.4.3 Installation locations for the calibration tools

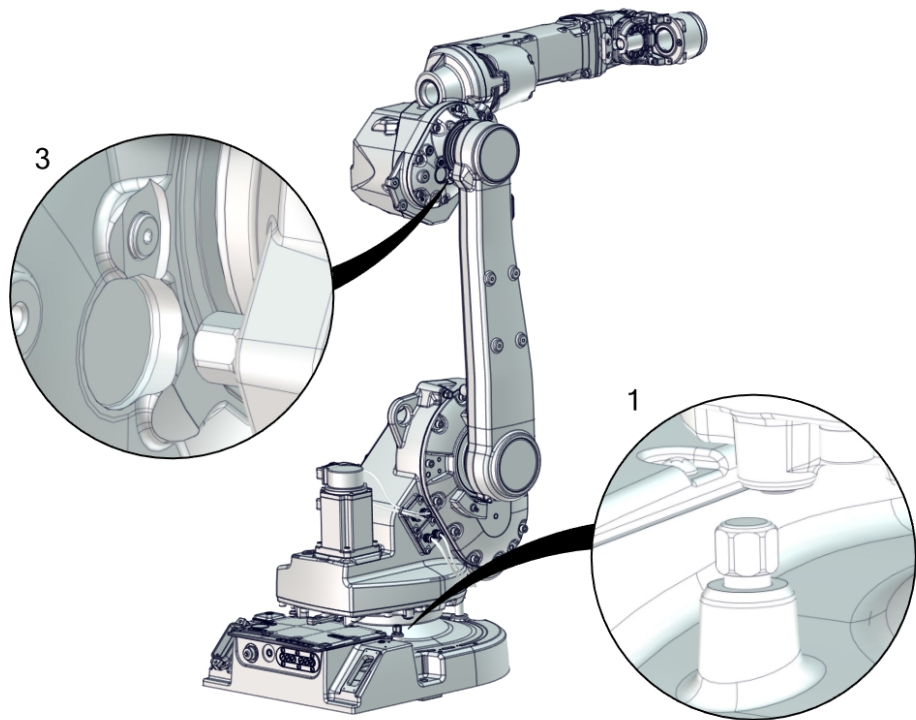
Continued



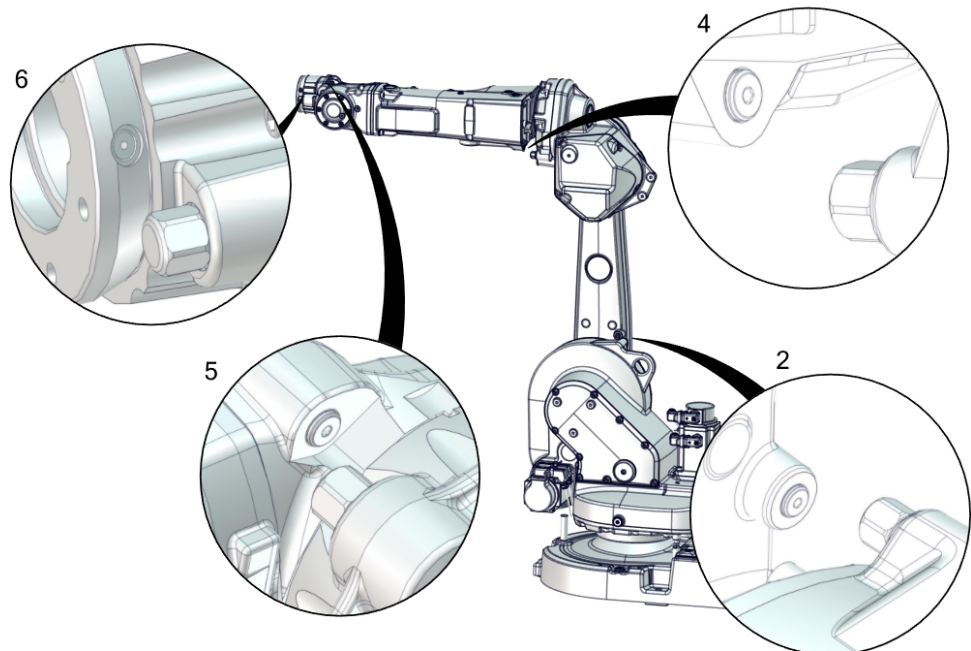
xx170000114

Continues on next page

IRB 1660ID



xx170000111



xx170000112

Continues on next page

5 Calibration

5.4.3 Installation locations for the calibration tools

Continued

Spare parts

When calibration is not being performed, a protective cover and an o-ring should always be installed on the fixed calibration pin as well as a protective plug, included a sealing, in the bushing. Replace damaged parts with new.

Spare part	Article number	Note
Protection cover and plug set	3HAC059487-001	Contains replacement calibration pin covers and protective plugs for the bushing.
Protective plug on turning disc	3HAC057676-001 (IRB 1660ID) 3HAC061134-001 (IRB 1600)	Replace if damaged or missing.

5.4.4 Axis Calibration - Running the calibration procedure

Required tools

The calibration tools used for Axis Calibration are designed to meet requirements for calibration performance, durability and safety in case of accidental damage.



WARNING

Calibrating the robot with Axis Calibration requires special calibration tools from ABB. Using other pins in the calibration holes may cause severe damage to the robot and/or personnel.

Equipment, etc.	Article number	Note
Calibration tool box, Axis Calibration	3HAC074119-001	Delivered as a set of calibration tools. Required if Axis Calibration is the valid calibration method for the robot. Contains a removal tool for removing special protection plugs on the turning disc.

Required consumables

Consumable	Article number	Note
Clean cloth	-	

Spare parts

Spare part	Article number	Note
Protection cover and plug set	3HAC059487-001	Contains replacement calibration pin covers and protective plugs for the bushing.
Protective plug on turning disc	3HAC057676-001 (IRB 1660ID) 3HAC061134-001 (IRB 1600)	Replace if damaged or missing.

Overview of the calibration procedure on the FlexPendant

The actual instructions of how to perform the calibration procedure and what to do at each step is given on the FlexPendant. You will be guided through the calibration procedure, step by step.

Use the following list to learn about the calibration procedure before running the RobotWare program on the FlexPendant. It gives you a brief overview of the calibration procedure.

After the calibration method has been started on the FlexPendant, the following sequence will be run.

- 1 Choose calibration routine. The routines are described in [Routines in the calibration procedure on page 345](#).
- 2 Choose which axis/axes to calibrate.
- 3 The robot moves to synchronization position.

Continues on next page

5 Calibration

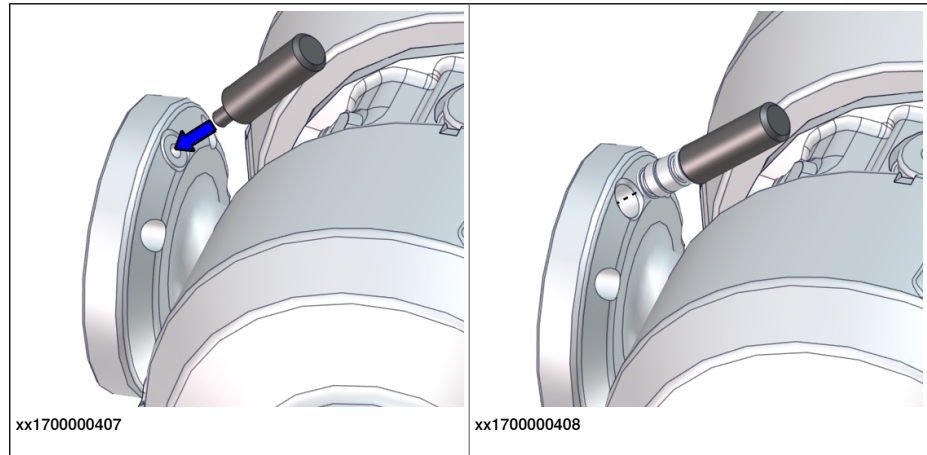
5.4.4 Axis Calibration - Running the calibration procedure

Continued

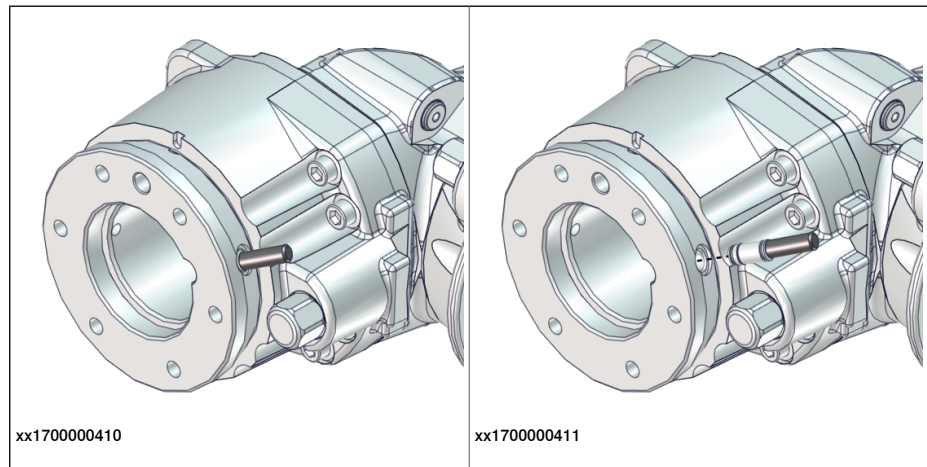
- 4 Validate the synchronization marks.
- 5 The robot moves to preparation position.
- 6 Remove the protective cover from the fixed pin and the protection plug from the bushing, if any, and install the calibration tool.

Use the removal tool included in the calibration tool box to remove the special protection plug(s) on the turning disc.

IRB 1600



IRB 1660ID



When calibrating axis 6, push in the calibration tool into the turning disc until the snap ring engages, no further.

On IRB 1600, this makes the calibration tool to stick out on the other side of the turning disc. Any equipment fitted to the turning disc must therefore either be removed or designed with a cavity, giving space to the calibration tool to stick out.

- 7 The robot performs a measurement sequence by rotating the axis back and forth.
- 8 Remove the calibration tool and reinstall the protective cover on the fixed pin and the protection plug in the bushing, if any.

Refit the protection plug(s) to the turning disc, push until the steel spring ring snaps into place.

Continues on next page

5.4.4 Axis Calibration - Running the calibration procedure

Continued



9 The robot moves to verify that the calibration tool is removed.

10 Choose whether to save the calibration data or not.

Calibration of the robot is not finished until the calibration data is saved, as last step of the calibration procedure.

Preparation prior to calibration

The calibration procedure is described in the FlexPendant while conducting it.

	Action	Note
1	 DANGER While conducting the calibration, the robot needs to be connected to power. Make sure that the robot's working area is empty, as the robot can make unpredictable movements.	
2	Wipe the calibration tool clean.  Note The calibration method is exact. Dust, dirt or color flakes will affect the calibration value.	Use a clean cloth.
3	Check if the standard calibration data for axes 4, 5 or 6 are updated with wrist optimization. This is shown in the calibration overview/summary window on the FlexPendant.	If the data is optimized, the calibration routine Wrist Optimization must be re-run after standard calibration. See Calibrating with Wrist Optimization method on page 362 .

Starting the calibration procedure

Use this procedure to start the Axis Calibration routine on the FlexPendant.

	Action	Note
1	Tap the calibration icon and enter the calibration main page.	
2	All mechanical units connected to the system are shown with their calibration status. Tap the mechanical unit in question.	
3	The calibration method used at ABB factory for each axis is shown, as well as calibration method used for the robot during last field calibration.	The FlexPendant will give all information needed to proceed with Axis Calibration.
4	Valid for RobotWare 6 Tap Call Calibration Method . The software will automatically call for the procedure for the valid calibration method. If not, tap Call Routine and then tap Axis calibration .	
5	Follow the instructions given on the FlexPendant.	A brief overview of the sequence that will be run on the FlexPendant is given in Overview of the calibration procedure on the FlexPendant on page 353 .

Continues on next page

5 Calibration

5.4.4 Axis Calibration - Running the calibration procedure

Continued

Restarting an interrupted calibration procedure

If the Axis Calibration procedure is interrupted before the calibration is finished, the RobotWare program needs to be started again. Use this procedure to take required action.

Situation	Action
The three-position enabling device on the FlexPendant has been released during robot movement.	Press and hold the three-position enabling device and press Play .
The RobotWare program is terminated with PP to Main .	Remove the calibration tool, if it is installed, and restart the calibration procedure from the beginning. See <i>Starting the calibration procedure</i> . If the calibration tool is in contact the robot axis needs to be jogged in order to release the calibration tool. Jogging the axis in wrong direction will cause the calibration tool to break. Directions of axis movement is shown in Calibration movement directions for all axes on page 339

Axis Calibration with SafeMove option

To be able to run Axis Calibration, SafeMove needs to be unsynchronized. The Axis Calibration routine recognizes if the robot is equipped with SafeMove and will force SafeMove to unsynchronize automatically.

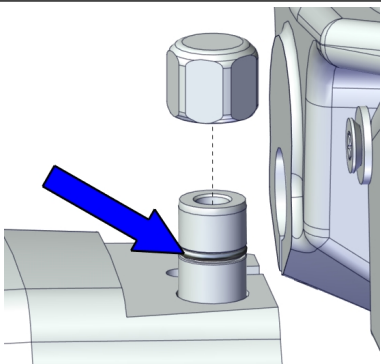
However, SafeMove may generate other warning messages anytime during the Axis Calibration routine. When a warning message is displayed, tap **Acknowledge** to confirm the unsynchronized state and continue Axis Calibration procedure.



CAUTION

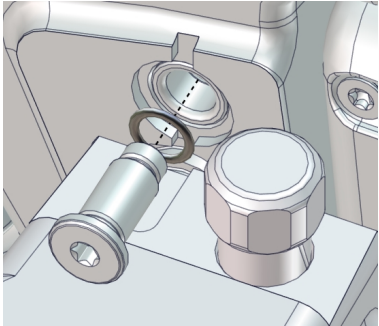
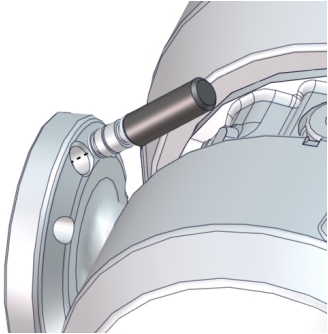
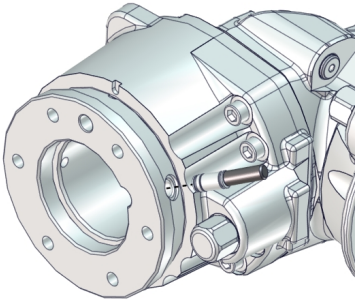
SafeMove must be synchronized after the calibration is completed.

After calibration

	Action	Note
1	Check the o-ring on the fixed calibration pin. Replace if damaged or missing.	 <p>xx1600002102</p> <p>Protection cover and plug set: 3HAC059487-001.</p>
2	Reinstall the protective cover on the fixed calibration pin on each axis, directly after the axis has been calibrated. Replace the cover with new spare part, if missing or damaged.	

Continues on next page

5.4.4 Axis Calibration - Running the calibration procedure
Continued

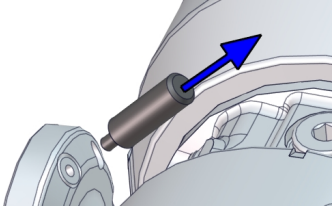
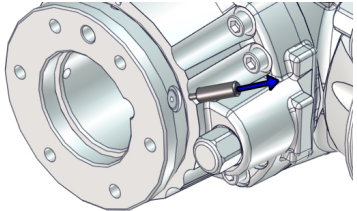
	Action	Note
3	<p>Reinstall the protective plug and sealing in the bushing on each axis, directly after the axis has been calibrated. Ensure that the sealing is not damaged.</p> <p>Replace the plug and the sealing with new spare part, if missing or damaged.</p>	 <p>xx1500000952</p> <p>Protection cover and plug set: 3HAC059487-001.</p>
4	<p>Refit the special protection plug to the turning disc using the tool included in the calibration tool box.</p>	<p>IRB 1600</p>  <p>xx1700000408</p> <p>IRB 1660ID</p>  <p>xx1700000411</p>

Continues on next page

5 Calibration

5.4.4 Axis Calibration - Running the calibration procedure

Continued

	Action	Note
5	Remove the tool from the protection plug.	IRB 1600  xx1700000901 IRB 1660ID  xx1700000902
6	If the standard calibration data for axes 4, 5 or 6 should be updated with wrist optimization, run the calibration routine Wrist Optimization .	See Calibrating with Wrist Optimization method on page 362 .

5.4.5 Reference calibration

Brief introduction to Reference Calibration

Reference calibration is a faster method compared to Fine calibration, as it refers to a previously made calibration.

- 1 Create a backup of the current robot system.
- 2 Check that the active calibration offset values corresponds to the values on the silver label (on the lower arm or the base).
- 3 Jog the manipulator so that all axes are in zero position (ex use `MoveAbsJ` instruction). Check that all axis scales are aligned with calibration marks.
- 4 If the scales differ from calibration marks it might depend on wrong turns of the revolution counters. Make a marker line on the corresponding axis to be able to validate the result of the calibration. If more than one motor revolutions are wrong, the calibration will fail.
- 5 Use a verification position. This is especially recommended if all axes were not aligned with the synchronization marks (step 3). Reuse an existing position that is suitable and accurate so it can be used to validate the repair. Use a position where a deviation in axis calibration gives a big deviation in positioning. Note! Check the position after each repair in one axis.
- 6 Use Reference calibration to save reference values for all axes that is to be replaced. Make sure that the values are saved in RobotStudio or FTP program. The files are located in "Active system folder name/HOME/RefCalibFiles".
- 7 Perform the repair.
- 8 Make sure that the tooling and process equipment are the same as when creating the reference. Use Reference calibration to update the system with new calibration offset value for the repaired axis.
- 9 Check the position against the verification position (step 5).
- 10 Proceed with the repair of the next axis, if necessary, and repeat (step 8-9) for every axis.
- 11 (For system containing SafeMove or EPS) Download new calibration values to SafeMove. Use Visual SafeMove in RobotStudio.
- 12 (For system containing SafeMove or EPS) Synchronize SafeMove to activate SafeMove.
- 13 Perform test run.
- 14 Update the label for resolver values with new calibration values.

Manual tuning of calibration offset

Manual tuning of calibration offset is normally not needed, but can be useful in some situations. The requirement to do manual tuning is that there is a known accurate position, that worked accurately before the repair (step 5, see [Brief introduction to Reference Calibration on page 359](#)).

Example "Adjust axis 4":

- 1 Create a backup.

Continues on next page

5 Calibration

5.4.5 Reference calibration

Continued

- 2 Run the manipulator to the verification position. (The manipulator position is now deviating from the verification position.)
- 3 Read and note current axis 4 value in degrees (example: 96.3 degrees).
- 4 Manually jog, only axis 4, so that the manipulator is correctly positioned to the verification position.
- 5 Read and note current axis 4 value in degrees (example: 94.2 degrees).
- 6 Move the manipulator to its calibration position.
- 7 Calculate the angle difference (ie $96.3 - 94.2 = 2.1$ degrees).
- 8 Manually jog axis 4 the calculated angle difference (-2.1). NOTE! The direction +/- shall be the same direction as the direction used when axis 4 was manually jogged to coincide with the verification process. In the example -2.1 degrees.
- 9 Make a new manual fine calibration of axis 4 with axis in -2.1 degrees position.
- 10 Check again against the verification position.
- 11 Repeat the manual tuning if needed.
- 12 Create a new reference if the intention is to use the reference in the future.

5.5 Calibrating with Calibration Pendulum method

Where to find information for Calibration Pendulum

Detailed instructions of how to perform Pendulum Calibration are given in the documentation enclosed with the calibration tools.

5 Calibration

5.6 Calibrating with Wrist Optimization method

5.6 Calibrating with Wrist Optimization method

When to run Wrist Optimization

Wrist Optimization routine is run to improve TCP reorientation performance.

Calibrating the robot with standard calibration method overwrites the optimized positions of axes 4, 5, 6. Re-run the **Wrist Optimization** routine after standard calibration to re-achieve the optimized positions of the wrist axes.

Overview of the calibration procedure on the FlexPendant

The actual instructions of how to perform the calibration procedure and what to do at each step is given on the FlexPendant. You will be guided through the calibration procedure, step by step.

Use the following list to learn about the calibration procedure before running the RobotWare program on the FlexPendant. It gives you a brief overview of the calibration procedure sequence.

After the calibration method has been called for on the FlexPendant, the following sequence will be run.

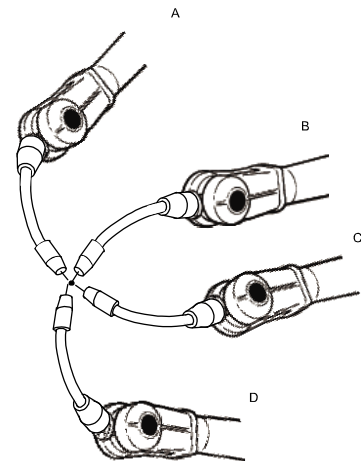
- 1 Choose calibration routine Wrist Optimization.
- 2 Modify targets for 4-point tool frame definition, in Wrist Optimization routine.



Tip

Select positions with large reorientations around the TCP. For best results, make sure that axis 4 and 5 have large movements.

- a Jog the robot to an appropriate position, A, for the first approach point.
Use small increments to accurately position the tool tip as close to the reference point as possible.
- b Tap **Modify Position** to define the point.
- c Repeat for each approach point to be defined, positions B, C, and D.
Jog away from the fixed world point to achieve the best result. Just changing the tool orientation will not give as good a result.



en0400000906

- 3 Improved calibration data to the wrist axes is identified and presented.
- 4 Optimized positions for the wrist axes are presented.

Continues on next page

- 5 The robot moves to the optimized positions for the wrist axes and automatically overwrites previous calibration data.

**WARNING**

Robot moves automatically when pressing **Calibrate**.

- 6 Wrist optimization is finished.
- 7 Redefine / verify TCP for all tools.

5 Calibration

5.7 Verifying the calibration

5.7 Verifying the calibration

Introduction

Always verify the results after calibrating *any* robot axis to verify that all calibration positions are correct.

Verifying the calibration

Use this procedure to verify the calibration result.

	Action	Note
1	Run the calibration home position program twice. Do not change the position of the robot axes after running the program!	See Checking the synchronization position on page 365 .
2	Adjust the <i>synchronization marks</i> when the calibration is done, if necessary.	This is detailed in section Synchronization marks and synchronization position for axes on page 336 .
3	Write down the values on a new label and stick it on top of the calibration label. xx	

5.8 Checking the synchronization position

Introduction

Check the synchronization position of the robot before beginning any programming of the robot system. This may be done:

- Using a `MoveAbsJ` instruction with argument zero on all axes.
- Using the **Jogging** window on the FlexPendant.

Using a `MoveAbsJ` instruction

Use this procedure to create a program that runs all the robot axes to their synchronization position.

	Action	Note
1	On ABB menu tap Program editor .	
2	Create a new program.	
3	Use MoveAbsJ in the Motion&Proc menu.	
4	Create the following program: <pre>MoveAbsJ [[0,0,0,0,0,0], [9E9,9E9,9E9,9E9,9E9,9E9]] \NoEOffs, v1000, fine, tool0</pre>	
5	Run the program in manual mode.	
6	Check that the synchronization marks for the axes align correctly. If they do not, update the revolution counters.	See Synchronization marks and synchronization position for axes on page 336 and Updating revolution counters on page 340 .

Using the jogging window

Use this procedure to jog the robot to the synchronization position of all axes.

	Action	Note
1	On the ABB menu, tap Jogging .	
2	Tap Motion mode to select group of axes to jog.	
3	Tap to select the axis to jog, axis 1, 2, or 3.	
4	Manually run the robots axes to a position where the axis position value read on the FlexPendant, is equal to zero.	
5	Check that the synchronization marks for the axes align correctly. If they do not, update the revolution counters.	See Synchronization marks and synchronization position for axes on page 336 and Updating revolution counters on page 340 .

This page is intentionally left blank

6 Decommissioning

6.1 Introduction to decommissioning

Introduction

This section contains information to consider when taking a product, robot or controller, out of operation.

It deals with how to handle potentially dangerous components and potentially hazardous materials.



Note

The decommissioning process shall be preceded by a risk assessment.

Disposal of materials used in the robot

All used grease/oils and dead batteries **must** be disposed of in accordance with the current legislation of the country in which the robot and the control unit are installed.

If the robot or the control unit is partially or completely disposed of, the various parts **must** be grouped together according to their nature (which is all iron together and all plastic together), and disposed of accordingly. These parts **must** also be disposed of in accordance with the current legislation of the country in which the robot and control unit are installed.

See also [Environmental information on page 368](#).

Transportation

Prepare the robot or parts before transport, this to avoid hazards.

6 Decommissioning

6.2 Environmental information

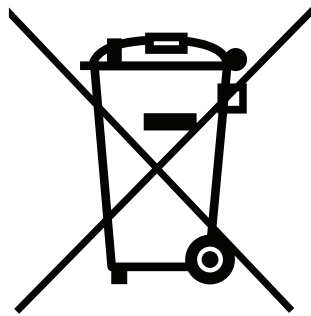
6.2 Environmental information

Introduction

ABB robots contain components in different materials. During decommissioning, all materials should be dismantled, recycled, or reused responsibly, according to the relevant laws and industrial standards. Robots or parts that can be reused or upcycled helps to reduce the usage of natural resources.

Symbol

The following symbol indicates that the product must not be disposed of as common garbage. Handle each product according to local regulations for the respective content (see table below).



xx1800000058

Materials used in the product

The table specifies some of the materials in the product and their respective use throughout the product.

Dispose components properly according to local regulations to prevent health or environmental hazards.

Material	Example application
Aluminium	Covers, synchronization brackets, upper arm
Batteries, Lithium	Serial measurement board
Cast iron/nodular iron	Base, lower arm
Copper	Cables, motors
Neodymium	Brakes, motors
Nickel	Turning disc (foundry)
Oil, grease	Gearboxes
Plastic/rubber	Cables, connectors, drive belts, and so on.
Steel	Gears, screws, base frame, and so on.

Continues on next page

Oil and grease

Where possible, arrange for oil and grease to be recycled. Dispose of via an authorized person/contractor in accordance with local regulations. Do not dispose of oil and grease near lakes, ponds, ditches, down drains, or onto soil. Incineration must be carried out under controlled conditions in accordance with local regulations.

Also note that:

- Spills can form a film on water surfaces causing damage to organisms. Oxygen transfer could also be impaired.
- Spillage can penetrate the soil causing ground water contamination.

6 Decommissioning

6.3 Scrapping of robot

6.3 Scrapping of robot



Note

The decommissioning process shall be preceded by a risk assessment.

Important when scrapping the robot



DANGER

The risk assessment should consider hazards arising in the decommissioning, such as, but not limited to:

- Always remove all batteries. If a battery is exposed to heat, for example from a blow torch, it will explode.
- Always remove all oil/grease in gearboxes. If exposed to heat, for example from a blow torch, the oil/grease will catch fire.
- When motors are removed from the robot, the robot will collapse if it is not properly supported before the motor is removed.
- A used robot does not have the same performance as on delivery. Springs, brakes, bearings, and other parts might be worn or broken.

7 Robot description

7.1 Type A of IRB 1600

Type A - new upper arm and wrist

Type A of IRB 1600 have a new upper arm, complete and a new wrist unit. As a result of this, the following parts differ from earlier versions:

- Upper arm, complete
 - Wrist unit
 - O-ring sealingplate
-

How to know which type the robot is?

The identification plate on the cabinet and the lower arm of the robot tells if the robot has a new upper arm and wrist or not.

Those robots with a new upper arm and wrist are named IRB 1600, type A.

Those robots which are not equipped with a new upper arm and wrist are simply named IRB 1600 (no type specified).

Which parts are interchangeable and which are not?

The following parts are interchangeable.

- The upper arm, complete with spare part no. 3HAC026567-001 is **interchangeable** with spare part no. 3HAC023630-001. **Note!** Software version 5.07.01 is needed!

The following parts are **not** interchangeable:

- The wrist unit with spare part no. 3HAC026569-001 is **not** interchangeable with spare part no. 3HAC10475-1.
 - The o-ring sealingplate with spare part no. 3HAC025420-001 is **not** interchangeable with spare part no. 3HAC 7191-1.
-

Other changes in this product manual, compared to product manual IRB 1600, 3HAC023637-001

The content in this product manual is the same as in the product manual with art. no. 3HAC023637-001, except for the new upper arm complete and the new wrist unit for type A. In order to distinguish IRB 1600 type A from earlier versions, a new art. no. has been created.

There has been a few other changes in the manual, not related to the IRB 1600 type A. These changes are described below:

- The cable harness for motors axes 1-2 has got a new spare part no. The motors axes 1-2 (3HAC023557-001) and the cable harness, motors axes 1-2 (3HAC023754-001) now have two separate spare part no:s.
- Some cable harnesses have been replaced.

For details, see *Base, spare part list* and *Frame, spare part list*, in *Product manual, spare parts - IRB 1600/1660*.

7 Robot description

7.2 Type A of IRB 1600ID

7.2 Type A of IRB 1600ID

Type A - changes in the ISO data

IRB 1600ID robots delivered as from R 11.2/RW 5.14.02, have designation Type A due to new basic tuning and a different MOC.cfg structure.

Upgrade from IRB 1600ID to IRB 1600ID type A

To upgrade an existing installation with the IRB 1600ID to the IRB 1600ID Type A version, with improved performance, a new drive module key with Type A version of the robot is needed. The new key then has to be used instead of the old by modifying the existing system in System Builder in RobotStudio. Please contact Robotics After Sales for more information and purchase of a new key.

After the upgrade the existing programs may require a touch-up of positions.

Further information

Technote 110912 includes more detailed information. Contact Robotics After Sales.

7.3 Version A and version B of IRB 1600/1660ID

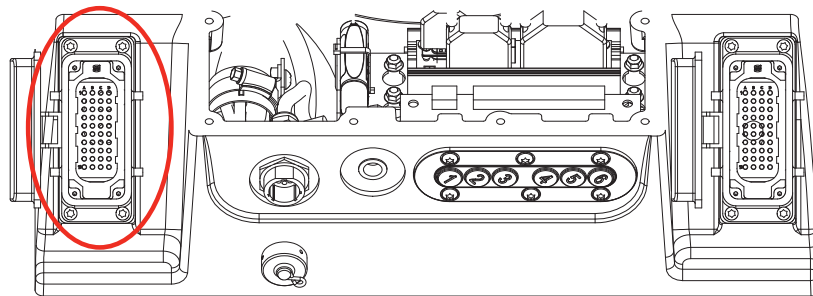
Version A and version B

Version A and version B are only available for IRB 1600/1660ID in standard protection. Robot power cables must be ordered according to the robot version.

How to know which version the robot is?

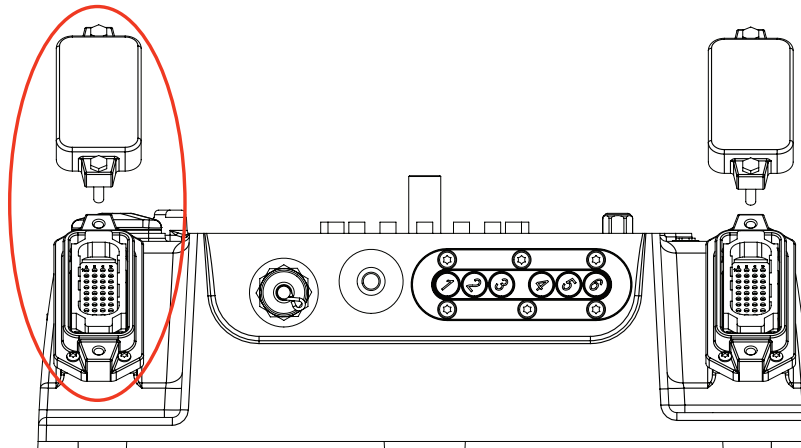
The power connector on the robot base tells which version the robot is.

The following figure illustrates the power connector (circled) on the base of robots in version A.



xx210000107

The following figure illustrates the power connector (circled) on the base of robots in version B.



xx210000108

This page is intentionally left blank

8 Reference information

8.1 Introduction

General

This chapter includes general information, complementing the more specific information in the different procedures in the manual.

8 Reference information

8.2 Applicable standards

8.2 Applicable standards



Note

The listed standards are valid at the time of the release of this document. Phased out or replaced standards are removed from the list when needed.

General

The product is designed in accordance with ISO 10218-1:2011, Robots for industrial environments - Safety requirements -Part 1 Robots, and applicable parts in the normative references, as referred to from ISO 10218-1:2011. In case of deviations from ISO 10218-1:2011, these are listed in the declaration of incorporation which is part of the product delivery.

Normative standards as referred to from ISO 10218-1

Standard	Description
ISO 9283:1998	Manipulating industrial robots - Performance criteria and related test methods
ISO 10218-2	Robots and robotic devices - Safety requirements for industrial robots - Part 2: Robot systems and integration
ISO 12100	Safety of machinery - General principles for design - Risk assessment and risk reduction
ISO 13849-1:2006	Safety of machinery - Safety related parts of control systems - Part 1: General principles for design
ISO 13850	Safety of machinery - Emergency stop - Principles for design
IEC 60204-1	Safety of machinery - Electrical equipment of machines - Part 1: General requirements

Deviations from ISO 10218-1:2011 for IRC5 with MultiMove

A deviation exists towards ISO 10218-1:2011, paragraph 5.9 *Control of simultaneous motion*, for the option MultiMove. See the application manual for MultiMove.

Region specific standards and regulations

Standard	Description
ANSI/RIA R15.06	Safety requirements for industrial robots and robot systems
ANSI/UL 1740	Safety standard for robots and robotic equipment
CAN/CSA Z 434-03	Industrial robots and robot Systems - General safety requirements

Other standards used in design

Standard	Description
ISO 9787:2013	Robots and robotic devices -- Coordinate systems and motion nomenclatures
IEC 61000-6-2	Electromagnetic compatibility (EMC) – Part 6-2: Generic standards – Immunity standard for industrial environments

Continues on next page

8 Reference information

8.2 Applicable standards

Continued

Standard	Description
IEC 61000-6-4	Electromagnetic compatibility (EMC) – Part 6-4: Generic standards – Emission standard for industrial environments
ISO 13732-1:2006	Ergonomics of the thermal environment - Part 1
IEC 60974-1:2012 ⁱ	Arc welding equipment - Part 1: Welding power sources
IEC 60974-10:2014 ^f	Arc welding equipment - Part 10: EMC requirements
ISO 14644-1:2015 ⁱⁱ	Classification of air cleanliness
IEC 60529:1989 + A2:2013	Degrees of protection provided by enclosures (IP code)

ⁱ Only valid for arc welding robots. Replaces IEC 61000-6-4 for arc welding robots.

ⁱⁱ Only robots with protection Clean Room.

8 Reference information

8.3 Unit conversion

8.3 Unit conversion

Converter table

Use the following table to convert units used in this manual.

Quantity	Units		
Length	1 m	3.28 ft.	39.37 in
Weight	1 kg	2.21 lb.	
Weight	1 g	0.035 ounces	
Pressure	1 bar	100 kPa	14.5 psi
Force	1 N	0.225 lbf	
Moment	1 Nm	0.738 lbf-ft	
Volume	1 L	0.264 US gal	

8.4 Screw joints

General

This section describes how to tighten the various types of screw joints on ABB robots.

The instructions and torque values are valid for screw joints comprised of metallic materials and do *not* apply to soft or brittle materials.

UNBRAKO screws

UNBRAKO is a special type of screw recommended by ABB for certain screw joints. It features special surface treatment (Gleitmo as described below) and is extremely resistant to fatigue.

Whenever used, this is specified in the instructions, and in such cases, *no other type of replacement screw* is allowed. Using other types of screws will void any warranty and may potentially cause serious damage or injury.

Gleitmo treated screws

Gleitmo is a special surface treatment to reduce the friction when tightening the screw joint. It is recommended by ABB for M6-M20 screw joints. Screws treated with Gleitmo may be reused 3-4 times before the coating disappears. After this the screw must be discarded and replaced with a new one.

When handling screws treated with Gleitmo, protective gloves of nitrile rubber type should be used.

Generally, screws are lubricated with *Gleitmo 603* mixed with *Geomet 500* or *Geomet 702* in proportion 1:3. *Geomet* thickness varies according to screw dimensions, refer to the following.

Dimension	Lubricant	Geomet thickness
M6-M20 (any length except M20x60)	<i>Gleitmo 603 + Geomet 500</i>	3-5 µm
M6-M20 (any length except M20x60)	<i>Gleitmo 603 + Geomet 720</i>	3-5 µm
M20x60	<i>Gleitmo 603 + Geomet 500</i>	8-12 µm
M20x60	<i>Gleitmo 603 + Geomet 720</i>	6-10 µm

Screws lubricated in other ways

Screws lubricated with Molykote 1000 or Molykote P1900 should *only* be used when specified in the repair, maintenance or installation procedure descriptions.

In such cases, proceed as follows:

- 1 Apply lubricant to the screw thread.
- 2 Apply lubricant between the plain washer and screw head.
- 3 Screw dimensions of M8 or larger must be tightened with a torque wrench. Screw dimensions of M6 or smaller may be tightened without a torque wrench *if* this is done by trained and qualified personnel.

Continues on next page

8 Reference information

8.4 Screw joints

Continued

Lubricant	Article number
Molykote 1000 (molybdenum disulphide grease)	3HAC042472-001
Molykote P1900 (molybdenum disulphide grease)	3HAC070875-001

Tightening torque

Before tightening any screw, note the following:

- Determine whether a **standard** tightening torque or **special** torque is to be applied. The **standard torques** are specified in the following tables. Any **special torques** are specified in the repair, maintenance or installation procedure descriptions. **Any special torque specified overrides the standard torque!**
- Use the *correct tightening torque* for each type of screw joint.
- Only use *correctly calibrated* torque keys.
- *Always tighten the joint by hand*, and never use pneumatic tools.
- Use the *correct tightening technique*, that is *do not* jerk. Tighten the screw in a slow, flowing motion.
- Maximum allowed total deviation from the specified value is **10%!**

Tightening torque for oil-lubricated screws with slotted or cross-recess head screws

The following table specifies the recommended standard tightening torque for *oil-lubricated screws with slotted or cross-recess head screws*.



Note

A special torque specified in the repair, maintenance or installation procedure overrides the standard torque.

Tightening torque for oil-lubricated screws with allen head screws

The following table specifies the recommended standard tightening torque for *oil-lubricated screws with allen head screws*.



Note

A special torque specified in the repair, maintenance or installation procedure overrides the standard torque.

Dimension	Tightening torque (Nm)	Tightening torque (Nm)	Tightening torque (Nm)
	Class 8.8, oil-lubricated	Class 10.9, oil-lubricated	Class 12.9, oil-lubricated
M5	6	-	-
M6	10	-	-
M8	24	34	40
M10	47	67	80
M12	82	115	140
M16	200	290	340
M20	400	560	670

Continues on next page

Dimension	Tightening torque (Nm) Class 8.8, oil-lubricated	Tightening torque (Nm) Class 10.9, oil-lubricated	Tightening torque (Nm) Class 12.9, oil-lubricated
M24	680	960	1150

Tightening torque for lubricated screws (Molykote, Gleitmo or equivalent) with allen head screws
The following table specifies the recommended standard tightening torque for screws lubricated with Molykote 1000, Gleitmo 603 or equivalent with allen head screws.

**Note**

A special torque specified in the repair, maintenance or installation procedure overrides the standard torque.

Dimension	Tightening torque (Nm) Class 10.9, lubricated ⁱ	Tightening torque (Nm) Class 12.9, lubricated ⁱ
M5		8
M6		14
M8	28	35
M10	55	70
M12	96	120
M16	235	300
M20	460	550
M24	790	950

ⁱ Lubricated with Molykote 1000, Gleitmo 603 or equivalent

8 Reference information

8.5 Weight specifications

8.5 Weight specifications


Definition

In installation, repair, and maintenance procedures, weights of the components handled are sometimes specified. All components exceeding 22 kg (50 lbs) are highlighted in this way.

To avoid injury, ABB recommends the use of a lifting accessory when handling components with a weight exceeding 22 kg. A wide range of lifting accessories and devices are available for each manipulator model.

Example

Following is an example of a weight specification in a procedure:

	Action	Note
	 CAUTION The arm weighs 25 kg. All lifting accessories used must be sized accordingly.	

8.6 Standard tools

General

All service (repairs, maintenance, and installation) procedures contains lists of tools required to perform the specified activity.

All special tools required are listed directly in the procedures while all the tools that are considered standard are gathered in the standard toolkit and defined in the following table.

This way, the tools required are the sum of the standard toolkit and any tools listed in the instruction.

Contents, standard toolkit

Qty	Tool
1	Ring-open-end spanner 8-19 mm
1	Socket head cap 2.5-17 mm
1	Torx socket no: 20-60
1	Torque wrench 10-100 Nm
1	Small screwdriver
1	Plastic mallet
1	Ratchet head for torque wrench 1/2"
1	Socket head cap no: 5, socket 1/2" bit L 20 mm
1	Socket head cap no: 6, socket 1/2" bit L 20 mm
1	Socket head cap no: 8, socket 1/2" bit L 20 mm
1	Small cutting plier
1	T-handle with ball head

8 Reference information

8.7 Special tools

8.7 Special tools

General

All service instructions contain lists of tools required to perform the specified activity. The required tools are a sum of standard tools, defined in the section [Standard tools on page 383](#), and of special tools, listed directly in the instructions and also gathered in this section.

Measuring tools, play

The tools listed for measuring the play are used after service work on axes 5 and 6.

Description	Robot variant	Art. no.
Measuring tool, play	IRB 1600ID/1660ID	3HAB9238-1
Turning disk adapter	IRB 1600ID/1660ID	3HAC027717-020
Measuring bracket	IRB 1600ID/1660ID	3HAC032976-001

Special tools

The following table specifies all the tools, not considered standard, used when performing service activities on the robot. The special tools are also listed directly in the instructions.

Description	Art. no.	Note
Rotation tool, motor	3HAC022266-003	Used to adjust the gear play on all motors.
Dynamometer	-	Capacity: 100N
Hook	3HAC024045-001	Used to tighten the timing belt of axis 6, together with the dynamometer.
Belt tightener	3HAC024044-001	Used to tighten the timing belt of axis 5, together with the dynamometer.
Lifting tool, gearbox	3HAC023364-001	
Lifting tool, upper arm	3HAC062980-001	

Calibration equipment, Calibration Pendulum

The following table specifies the calibration equipment needed when calibrating the robot with the Calibration Pendulum method.

The robot is calibrated by either Calibration Pendulum or Axis Calibration at factory. Always use the same calibration method as used at the factory.

Information about valid calibration method is found on the calibration label or in the calibration menu on the FlexPendant.

If no data is found related to standard calibration, Calibration Pendulum is used as default.

Description	Art. no.	Note
Calibration Pendulum toolkit	3HAC15716-1	Complete kit that also includes operating manual.

Continues on next page

Calibration equipment, Axis Calibration

The following table specifies the calibration equipment needed when calibrating the robot with the Axis Calibration method.

The robot is calibrated by either Calibration Pendulum or Axis Calibration at factory. Always use the same calibration method as used at the factory.

Information about valid calibration method is found on the calibration label or in the calibration menu on the FlexPendant.

If no data is found related to standard calibration, Calibration Pendulum is used as default.

Description	Art. no.	Note
Calibration tool box, Axis Calibration	3HAC074119-001	Delivered as a set of calibration tools. Required if Axis Calibration is the valid calibration method for the robot. Contains a removal tool for removing special protection plugs on the turning disc.

8 Reference information

8.8 Lifting accessories and lifting instructions

8.8 Lifting accessories and lifting instructions

General

Many repair and maintenance activities require different pieces of lifting accessories, which are specified in each procedure.

The use of each piece of lifting accessories is *not* detailed in the activity procedure, but in the instruction delivered with each piece of lifting accessories.

The instructions delivered with the lifting accessories should be stored for later reference.

9 Spare part lists

9.1 Spare part lists and illustrations

Location

Spare parts and exploded views are not included in the manual but delivered as a separate document for registered users on myABB Business Portal, www.abb.com/myABB.



Tip

All documents can be found via myABB Business Portal, www.abb.com/myABB.

This page is intentionally left blank

10 Circuit diagram

10.1 Circuit diagrams

Overview

The circuit diagrams are not included in this manual, but are available for registered users on myABB Business Portal, www.abb.com/myABB.

See the article numbers in the tables below.

Controllers

Product	Article numbers for circuit diagrams
<i>Circuit diagram - IRC5</i>	<i>3HAC024480-011</i>
<i>Circuit diagram - IRC5 Compact</i>	<i>3HAC049406-003</i>
<i>Circuit diagram - IRC5 Panel Mounted Controller</i>	<i>3HAC026871-020</i>
<i>Circuit diagram - Euromap 67, design 14</i>	<i>3HAC024120-005</i>
<i>Circuit diagram - Spot welding cabinet</i>	<i>3HAC057185-001</i>

Manipulators

Product	Article numbers for circuit diagrams
<i>Circuit diagram - IRB 120</i>	<i>3HAC031408-003</i>
<i>Circuit diagram - IRB 140 type C</i>	<i>3HAC6816-3</i>
<i>Circuit diagram - IRB 260</i>	<i>3HAC025611-001</i>
<i>Circuit diagram - IRB 360</i>	<i>3HAC028647-009</i>
<i>Circuit diagram - IRB 390</i>	<i>3HAC060545-009</i>
<i>Circuit diagram - IRB 460</i>	<i>3HAC036446-005</i>
<i>Circuit diagram - IRB 660</i>	<i>3HAC025691-001</i>
<i>Circuit diagram - IRB 760</i>	<i>3HAC025691-001</i>
<i>Circuit diagram - IRB 1200</i>	<i>3HAC046307-003</i>
<i>Circuit diagram - IRB 1410</i>	<i>3HAC2800-3</i>
<i>Circuit diagram - IRB 1600/1660</i>	<i>3HAC021351-003</i>
<i>Circuit diagram - IRB 1520</i>	<i>3HAC039498-007</i>
<i>Circuit diagram - IRB 2400</i>	<i>3HAC6670-3</i>
<i>Circuit diagram - IRB 2600</i>	<i>3HAC029570-007</i>
<i>Circuit diagram - IRB 4400/4450S</i>	<i>3HAC9821-1</i>
<i>Circuit diagram - IRB 4600</i>	<i>3HAC029038-003</i>
<i>Circuit diagram - IRB 6620</i>	<i>3HAC025090-001</i>
<i>Circuit diagram - IRB 6620 / IRB 6620LX</i>	<i>3HAC025090-001</i>
<i>Circuit diagram - IRB 6640</i>	<i>3HAC025744-001</i>

Continues on next page

10 Circuit diagram

10.1 Circuit diagrams

Continued

Product	Article numbers for circuit diagrams
<i>Circuit diagram - IRB 6650S</i>	<i>3HAC13347-1 3HAC025744-001</i>
<i>Circuit diagram - IRB 6660</i>	<i>3HAC025744-001 3HAC029940-001</i>
<i>Circuit diagram - IRB 6700 / IRB 6790</i>	<i>3HAC043446-005</i>
<i>Circuit diagram - IRB 7600</i>	<i>3HAC13347-1 3HAC025744-001</i>
<i>Circuit diagram - IRB 14000</i>	<i>3HAC050778-003</i>
<i>Circuit diagram - IRB 910SC</i>	<i>3HAC056159-002</i>

Index

A

Absolute Accuracy, calibration, 334
 Absolute Accuracy, guiding sleeves, 65
 air connections, pressure, 115
 allergenic material, 32
 aluminum
 disposal, 368
 ambient humidity
 operation, 47
 storage, 47
 ambient temperature
 operation, 47
 storage, 47
 arm system
 replacing, 171
 assembly instructions, 43
 assessment of hazards and risks, 32
 attachment bolts, robot-foundation, 64
 Axis Calibration, 344
 calibration tool
 article number, 347, 353
 examining, 347
 installation position, 349
 overview of method, 344
 procedure on FlexPendant, 353, 362
 protective cover and protection plug, 349, 353

B

backshells, customer connection, 115
 base
 brake release buttons, 61
 hole configuration, 63
 replacing, 234
 screws, tightening torque, 238
 spare part number, 234
 batteries
 disposal, 368
 battery
 replacing, 137
 battery pack
 replacing, interval, 123
 spare part number, 139
 battery shutdown
 service routine, 137
 belt tightener axis 5
 article number, 282
 measure, 283
 brake release unit
 releasing the brakes, 61
 replacing, 246
 spare part number, 247
 brakes
 testing function, 40
 brakes, releasing
 external power supply to connector R1.MP, 62
 manually, 61
 power supply on motor axis 1, 254
 power supply to motor axis 2, 259
 power supply to motor axis 3, 265
 power supply to motor axis 4, 275

C

cabinet lock, 33
 cable harness

 inside base, figure, 162
 inside frame, figure, 161
 inside upper arm, figure, 159
 replacing, 155
 spare part number, 155
 cabling
 inside base, figure, 162
 inside frame, figure, 161
 inside upper arm, figure, 159
 replacing, 155
 spare part number, 155
 cabling, robot, 112
 cabling between robot and controller, 112
 calibrating
 robot, 344
 roughly, 340
 calibrating robot, 344, 361–362
 calibration
 Absolute Accuracy type, 332
 rough, 340
 standard type, 332
 verification, 364
 when to calibrate, 335
 calibration, Absolute Accuracy, 334
 calibration manuals, 334
 calibration marks, 336
 Calibration Pendulum
 overview of method, 361
 calibration position
 jogging to, 365
 scales, 336
 calibration scales, 336
 CalibWare, 332
 carbon dioxide extinguisher, 33
 cast iron
 disposal, 368
 cleaning, 142
 robot, interval, 123
 climbing on robot, 36
 Cold environments, 118
 complete arm system
 replacing, 171
 connecting the robot and controller, cabling, 112
 connectors
 air, 115
 customer, 115
 MIL-C-26482 series 1, 117
 R2.CS and R2.CP
 pins, customer connection, 115
 Souriau, 116
 copper
 disposal, 368
 cracks, damper, 127

D

damage, damper, 127
 damper, axis 2, 125
 attachment screw, 214
 replacing, 213
 spare part number, 213
 damper, axis 3
 inspection, 125
 replacing, 215
 spare part number, 215
 damper, axis 5
 inspection, 125
 replacing, 219

- spare part number, 219

dimensions

- guiding sleeves, 64
- mounting surface, 64
- robot, 74

- dimensions, IRB 1600, 76

- dimensions, IRB 1600ID, 77

- dimensions, IRB 1660ID, 78

- direction of axes, 339

E

- environmental information, 368

- equipment, robot, 74

ESD

- damage elimination, 57

- sensitive equipment, 57

- extra equipment, 74

F

figures

- base, hole configuration, 63

- brake release buttons, 61

- cabling inside base, 162

- cabling inside frame, 161

- cabling inside upper arm housing, 159

- mounting surface, 64

- power supply to connector R1.MP, 62

- fire extinguishing, 33

- fitting, equipment, 74

FlexPendant

- jogging to calibration position, 365

- MoveAbsJ instruction, 365

- updating revolution counters, 341

foundation

- requirements, 46

frame

- replacing, 323

- spare part number, 324

G

- gaskets, spare part number

- base cover, 247

- gearbox axis 1-2, 252

- upper arm cover, 305

- upper arm customer connections, 305

- gearbox, axes 1-2

- replacing, 323

- spare part number, 324

gearboxes

- location of, 130

- gearboxes, axes 3-6

- replacing, 329

- service work, 329

- gearboxes, axes 5 and 6

- oil change, 131

- Gravity Alpha, 68

- Gravity Beta, 68

- grease, 36

- disposal, 368

H

hanging

- installed hanging, 32

- hazard levels, 23

- hazardous material, 368

height

- installed at a height, 32

- hole configuration

- base, 63

- hot surfaces, 36

- HRA, 32

humidity

- operation, 47

- storage, 47

I

illustrations

- base, hole configuration, 63

- brake release buttons, 61

- cabling inside base, 162

- cabling inside frame, 161

- cabling inside upper arm housing, 159

- mounting surface, 64

- power supply to connector R1.MP, 62

- inspection, 125

installation

- equipment, 74

- mechanical stop axis 2, 101

- mechanical stops, axis 1, 96

- mechanical stops axis 3, 105

- robot, attachment bolts, 64

- signal lamp, 88

- instructions for assembly, 43

- integrator responsibility, 32

- intervals, maintenance, 123

L

labels

- robot, 25

lamp unit

- article number, 89

- installation, 88

- leak-down test, 146

lifting

- accessory, 60

- lifting, robot, 58

- lifting accessory, 382

- limitation of liability, 21

Lithium

- disposal, 368

- load areas, 74

- loads on foundation, 45

- lock and tag, 33

lower arm

- removing together with upper arm, 171

- replacing, 189

- screws, tightening torque, 192

- spare part number, 189

lubricants, 36

lubrication

- amount in gearboxes, 130

- type of lubrication, 130

M

magnesium

- disposal, 368

- maintenance intervals, 123

- maintenance schedule, 123

- measurement system battery pack, spare part

- number, 139

- mechanical stop axis 2

- article number, 103

- installation, 101

- mechanical stop axis 3

- article number, 107
 - screws, tightening torque, 108
 - mechanical stops axis 1
 - article number, 98
 - installation, 96
 - screws, tightening torque, 99
 - mechanical stops axis 2
 - screws, tightening torque, 103
 - mechanical stops axis 3
 - installation, 105
 - motor axis 1
 - brake release with power supply, 254
 - replacing, 252
 - spare part number, 252
 - tightening torque, 255
 - motor axis 2
 - brake release with power supply, 259
 - replacing, 257
 - spare part number, 257
 - tightening torque, 261
 - motor axis 3
 - brake release with power supply, 265
 - replacing, 262
 - screws, tightening torque, 265, 271
 - spare part number, 262
 - motor axis 4
 - brake release with power supply, 275
 - replace, 273
 - screws, tightening torque, 276, 281
 - spare part number, 273
 - motor axis 5
 - replacing, 282
 - screws, tightening torque, 286
 - spare part number, 282
 - motor axis 6
 - replacing, 305
 - screws, tightening torque, 308
 - spare part number, 305
 - mounting, equipment, 74
 - mounting holes IRB 1600, 79
 - mounting holes IRB 1600ID, 82
 - mounting holes IRB 1660ID, 84
 - MoveAbsJ instruction, 365
- N**
- national regulations, 32
 - negative directions, axes, 339
 - neodymium
 - disposal, 368
 - nodular iron
 - disposal, 368
- O**
- oil, 36
 - amount in gearboxes, 130
 - disposal, 368
 - type of oil, 130
 - oil change
 - gearbox axes 5 and 6, 131
 - gearboxes, axes 5 and 6, intervals, 123
 - wrist unit, 131
 - wrist unit, intervals, 123
 - operating conditions, 47
 - orienting, robot, 63
 - original spare parts, 21
- P**
- pedestal
 - installed on pedestal, 32
 - personnel
 - requirements, 22
 - plastic
 - disposal, 368
 - position, robot
 - when draining wrist unit, 132, 135–136
 - when filling oil in wrist unit, 133
 - positions at wrist center
 - IRB 1600 - 1.2 m reach, 50
 - IRB 1600 - 1.45 m reach, 51
 - IRB 1600ID-4/1.5, 52
 - IRB 1660ID, 53
 - positive directions, axes, 339
 - PPE, 22
 - product standards, 376
 - protection classes, 48
 - protection type, 48
 - protective equipment, 22
 - protective wear, 22
 - push button unit
 - releasing the brakes, 61
 - replacing, 246
 - spare part number, 247
- R**
- range of movement
 - IRB 1600, 49
 - IRB 1600ID, 49
 - IRB 1660ID, 49
 - recycling, 368
 - regional regulations, 32
 - release brakes, 39
 - releasing brakes
 - external power supply to connector R1.MP, 62
 - manually, 61
 - replacements, report, 145
 - replacing together, 171
 - report replacements, 145
 - requirements on foundation, 46
 - responsibility and validity, 21
 - restricting working range
 - axis 1, 96
 - axis 2, 101
 - axis 3, 105
 - revolution counters
 - storing on FlexPendant, 341
 - updating, 340
 - risk of burns, 36
 - risk of tipping, 55
 - robot
 - dimensions, 74
 - equipment, fitting, 74
 - labels, 25
 - lifting, 58
 - orienting and securing, 63
 - protection class, 48
 - protection types, 48
 - symbols, 25
 - robot position
 - when draining wrist unit, 132, 135–136
 - when filling oil in wrist unit, 133
 - rubber
 - disposal, 368

S

safety
brake testing, 40
ESD, 57
fire extinguishing, 33
release robot axes, 39
signals, 23
signals in manual, 23
symbols, 23
symbols on robot, 25
test run, 119
safety devices, 33
safety hazard
hydraulic system, 34
pneumatic system, 34
safety signals
in manual, 23
safety standards, 376
scales on robot, 336
schedule, maintenance, 123
screw joints, 379
securing, robot, 63–64
serial measurement unit
battery pack, spare part number, 139
replacing, 239
spare part number, 241
shipping, 367
signal lamp
article number, 89
installation, 88
signals
safety, 23
SMB battery
extension of lifetime, 137
replacing, 137
SMB unit
battery pack, spare part number, 139
replacing, 239
spare part number, 241
Souriau, connector, 116
special tools, 384
speed
adjusting, 118
stability, 55
standards, 376
ANSI, 376
CAN, 376
EN IEC, 376
EN ISO, 376
start of robot in cold environments, 118
steel
disposal, 368
storage conditions, 47
suspended mounting, 67
symbols
safety, 23
synchronization position, 340
sync marks, 336
system integrator requirements, 32
system parameter
Gravity Alpha, 68
Gravity Beta, 68
T
temperatures
operation, 47
storage, 47

testing
brakes, 40
tightening torques, attachment screws
base-gearbox unit, 238
lower arm-frame, 192
mechanical stop axis 1, 99
mechanical stop axis 2, 103
mechanical stop axis 3, 108
motor axis 1, 255
motor axis 2, 261
motor axis 3, 265, 271
motor axis 4, 276, 281
motor axis 5, 286
motor axis 6, 308
robot to foundation, attachment bolts, 64
upper arm, 180
wrist unit, 197
tilted mounting, 67
timing belt axis 5
adjusting the tension, 286
replacing, 282
spare part number, 282
timing belt axis 6
adjusting the tension, 308
replacing, 305
spare part number, 305
tools
Axis Calibration, 385
belt tightener axis 5, article number, 282
belt tightener axis 5, measure, 283
Calibration Pendulum, 384
dynamometer axis 5 and 6, 305
for service, 384
hook axis 6, article number, 305
rotational tool, article number, 273
torques on foundation, 45
transportation, 367
troubleshooting
oil spills, 142
safety, 41
turning
accessory, 60
turning radius, 54

U

upcycling, 368
updating revolution counters, 340
upper and lower arm, 171
upper arm
removing together with lower arm, 171
replacing, 176
screws, tightening torque, 180
spare part number, 177
users
requirements, 22

V

validity and responsibility, 21
velocity
adjusting, 118
verifying calibration, 364
VK-covers, spare part number
at base, 234
lower arm, lower, 189
lower arm, middle, 189
lower arm, upper, 177

W

wall mounting, 67

weight, 45

arm, 173–174

base, 237, 326, 328

gearbox 1, 326–328

robot, 59, 191–192, 236, 238

upper arm, 178–179, 184, 186

upper arm tube, 291

working range, 49

Wrist Optimization

overview of method, 362

wrist unit

oil change, 131

replacing, 194

screws, tightening torque, 197

spare part number, 194

Z

zero position

checking, 365



ABB AB

Robotics & Discrete Automation

S-721 68 VÄSTERÅS, Sweden

Telephone +46 (0) 21 344 400

ABB AS

Robotics & Discrete Automation

Nordlysvegen 7, N-4340 BRYNE, Norway

Box 265, N-4349 BRYNE, Norway

Telephone: +47 22 87 2000

ABB Engineering (Shanghai) Ltd.

Robotics & Discrete Automation

No. 4528 Kangxin Highway

PuDong New District

SHANGHAI 201319, China

Telephone: +86 21 6105 6666

ABB Inc.

Robotics & Discrete Automation

1250 Brown Road

Auburn Hills, MI 48326

USA

Telephone: +1 248 391 9000

abb.com/robotics